

Request for Bids

Information Systems

Procurement of:

Supply, Installation and Commissioning of Hyper Converged Infrastructure in National Data Center

Purchaser: Bangladesh Computer Council (BCC)

Project: Leveraging ICT for Growth, Employment & Governance Project

Contract title: Supply, Installation and Commissioning of Hyper Converged Infrastructure in National Data Center

Country: *Bangladesh*

Credit No.: 5911-BD

RFB No: Contract Package # AF-G9

Issued on: 17 September 2018

Table of Contents

Section I - Instructions to Bidders (ITB)	4
Section II - Bid Data Sheet (BDS).....	41
Section III - Evaluation and Qualification Criteria	48
Section IV - Bidding Forms.....	62
Section V - Eligible Countries.....	100
Section VI - Fraud and Corruption.....	101
Section VII - Requirements of the Information System	104
Section VIII - General Conditions of Contract	142
Section IX - Special Conditions of Contract.....	220
Section X - Contract Forms	230

PART 1 – BIDDING PROCEDURES

UNOFFICIAL COPY

SECTION I - INSTRUCTIONS TO BIDDERS (ITB)

Contents

A. General.....	6
1. Scope of Bid.....	6
2. Source of Funds	7
3. Fraud and Corruption	7
4. Eligible Bidders	7
5. Eligible Goods and Services	10
B. Contents of Bidding Document	11
6. Sections of Bidding Document	11
7. Clarification of Bidding Document, Site Visit, Pre-bid Meeting	13
8. Amendment of Bidding Document.....	14
C. Preparation of Bids	14
9. Cost of Bidding	14
10. Language of Bid.....	14
11. Documents Comprising the Bid.....	14
12. Letter of Bid and Price Schedules.....	16
13. Alternative Bids	16
14. Documents Establishing the Eligibility of the Information System	17
15. Documents Establishing the Eligibility and Qualifications of the Bidder	17
16. Documents Establishing Conformity of the Information System.....	17
17. Bid Prices	19
18. Currencies of Bid and Payment	22
19. Period of Validity of Bids	22
20. Bid Security	23
21. Format and Signing of Bid.....	25
D. Submission and Opening of Bids	25
22. Submission, Sealing and Marking of Bids.....	25
23. Deadline for Submission of Bids	26
24. Late Bids	26
25. Withdrawal, Substitution, and Modification of Bids	27
26. Bid Opening.....	27
E. Evaluation and Comparison of Bids.....	29
27. Confidentiality	29
28. Clarification of Bids.....	29
29. Deviations, Reservations, and Omissions	29
30. Determination of Responsiveness.....	29
31. Nonmaterial Nonconformities	30
32. Correction of Arithmetical Errors.....	31

33. Conversion to Single Currency	31
34. Margin of Preference	31
35. Evaluation of Bids.....	31
36. Comparison of Bids	34
37. Abnormally Low Bids.....	34
38. Unbalanced or Front Loaded Bids	34
39. Eligibility and Qualification of the Bidder	35
40. Purchaser’s Right to Accept Any Bid, and to Reject Any or All Bids	36
41. Standstill Period.....	36
42. Notification of Intention to Award	36
F. Award of Contract.....	37
43. Award Criteria	37
44. Purchaser’s Right to Vary Quantities at Time of Award.....	37
45. Notification of Award.....	37
46. Debriefing by the Purchaser.....	38
48. Performance Security.....	40
49. Adjudicator	40
50. Procurement Related Complaint.....	40
F. Award of Contract.....	46

Section I - Instructions to Bidders

A. GENERAL

1. Scope of Bid

- 1.1 The Purchaser, as indicated **in the BDS**, or its duly authorized Purchasing Agent if so specified **in the BDS** (interchangeably referred to as “the Purchaser” issues this bidding document for the supply and installation of the Information System as specified in Section VII, Purchaser’s Requirements. The name, identification and number of lots (contracts) of this RFB are specified **in the BDS**.
- 1.2 Unless otherwise stated, throughout this bidding document definitions and interpretations shall be as prescribed in the Section VIII, General Conditions of Contract.
- 1.3 Throughout this bidding document:
 - (a) the term “in writing” means communicated in written form (e.g. by mail, e-mail, fax, including if specified **in the BDS**, distributed or received through the electronic-procurement system used by the Purchaser) with proof of receipt;
 - (b) if the context so requires, “singular” means “plural” and vice versa; and
 - (c) “Day” means calendar day, unless otherwise specified as “Business Day”. A Business Day is any day that is an official working day of the Borrower. It excludes the Borrower’s official public holidays.

- 2. Source of Funds**
- 2.1 The Borrower or Recipient (hereinafter called “Borrower”) indicated **in the BDS** has applied for or received financing (hereinafter called “funds”) from the International Bank for Reconstruction and Development or the International Development Association (hereinafter called “the Bank”) in an amount specified **in the BDS** toward the project named **in the BDS**. The Borrower intends to apply a portion of the funds to eligible payments under the contract(s) for which this bidding document is issued.
- 2.2 Payments by the Bank will be made only at the request of the Borrower and upon approval by the Bank in accordance with the terms and conditions of the Loan (or other financing) Agreement between the Borrower and the Bank (hereinafter called the Loan Agreement), and will be subject in all respects to the terms and conditions of that Loan (or other financing) Agreement. The Loan (or other financing) Agreement prohibits a withdrawal from the loan account for the purpose of any payment to persons or entities, or for any import of equipment, materials or any other goods, if such payment or import is prohibited by a decision of the United Nations Security Council taken under Chapter VII of the Charter of the United Nations. No party other than the Borrower shall derive any rights from the Loan (or other financing) Agreement or have any claim to the funds.
- 3. Fraud and Corruption**
- 3.1 The Bank requires compliance with the Bank’s Anti-Corruption Guidelines and its prevailing sanctions policies and procedures as set forth in the WBG’s Sanctions Framework, as set forth in Section VI.
- 3.2 In further pursuance of this policy, Bidders shall permit and shall cause their agents (where declared or not), subcontractors, subconsultants, service providers, suppliers, and their personnel, to permit the Bank to inspect all accounts, records and other documents relating to any initial selection process, prequalification process, bid submission, proposal submission and contract performance (in the case of award), and to have them audited by auditors appointed by the Bank.
- 4. Eligible Bidders**
- 4.1 A Bidder may be a firm that is a private entity, a state-owned enterprise or institution subject to ITB 4.6, or any combination of such entities in the form of a joint venture (JV) under an existing agreement or with the intent to enter into such an agreement supported by a letter of intent. In the case of a joint venture, all members shall be jointly and severally liable for the execution of the Contract in accordance with the Contract terms. The JV shall nominate a Representative who shall have

the authority to conduct all business for and on behalf of any and all the members of the JV during the Bidding process and, in the event the JV is awarded the Contract, during contract execution. Unless specified **in the BDS**, there is no limit on the number of members in a JV.

4.2 A Bidder shall not have a conflict of interest. Any Bidder found to have a conflict of interest shall be disqualified. A Bidder may be considered to have a conflict of interest for the purpose of this Bidding process, if the Bidder:

- (a) directly or indirectly controls, is controlled by or is under common control with another Bidder; or
- (b) receives or has received any direct or indirect subsidy from another Bidder; or
- (c) has the same legal representative as another Bidder; or
- (d) has a relationship with another Bidder, directly or through common third parties, that puts it in a position to influence the Bid of another Bidder, or influence the decisions of the Purchaser regarding this Bidding process; or
- (e) any of its affiliates participates as a consultant in the preparation of the design or technical specifications of the Information System that are the subject of the Bid; or
- (f) or any of its affiliates has been hired (or is proposed to be hired) by the Purchaser or Borrower as Project Manager for the Contract implementation; or
- (g) would be providing goods, works, or non-consulting services resulting from or directly related to consulting services for the preparation or implementation of the project specified in the BDS ITB 2.1 that it provided or were provided by any affiliate that directly or indirectly controls, is controlled by, or is under common control with that firm; or
- (h) has a close business or family relationship with a professional staff of the Borrower (or of the project implementing agency, or of a recipient of a part of the loan) who: (i) are directly or indirectly involved in the preparation of the bidding document or specifications of the Contract, and/or the Bid evaluation process of

such Contract; or (ii) would be involved in the implementation or supervision of such Contract unless the conflict stemming from such relationship has been resolved in a manner acceptable to the Bank throughout the Bidding process and execution of the Contract.

- 4.3 A firm that is a Bidder (either individually or as a JV member) shall not participate as a Bidder or as JV member in more than one Bid except for permitted alternative Bids. Such participation shall result in the disqualification of all Bids in which the firm is involved. However, this does not limit the participation of a Bidder as subcontractor in another Bid or of a firm as a subcontractor in more than one Bid.
- 4.4 A Bidder may have the nationality of any country, subject to the restrictions pursuant to ITB 4.8. A Bidder shall be deemed to have the nationality of a country if the Bidder is constituted, incorporated or registered in and operates in conformity with the provisions of the laws of that country, as evidenced by its articles of incorporation (or equivalent documents of constitution or association) and its registration documents, as the case may be. This criterion also shall apply to the determination of the nationality of proposed sub-contractors or sub-consultants for any part of the Contract including related Services.
- 4.5 A Bidder that has been sanctioned by the Bank, pursuant to the Bank's Anti-Corruption Guidelines, and in accordance with its prevailing sanctions policies and procedures as set forth in the WBG's Sanctions Framework as described in Section VI paragraph 2.2 d., shall be ineligible to be initially selected for, prequalified for, bid for, propose for, or be awarded a Bank-financed contract or benefit from a Bank-financed contract, financially or otherwise, during such period of time as the Bank shall have determined. The list of debarred firms and individuals is available at the electronic address specified in the BDS.
- 4.6 Bidders that are state-owned enterprises or institutions in the Purchaser's Country may be eligible to compete and be awarded a Contract(s) only if they can establish, in a manner acceptable to the Bank, that they (i) are legally and financially autonomous (ii) operate under commercial law, and (iii) are not under supervision of the Purchaser.
- 4.7 A Bidder shall not be under suspension from bidding by the

Purchaser as the result of the operation of a Bid–Securing Declaration or Proposal–Securing Declaration.

- 4.8 Firms and individuals may be ineligible if so indicated in Section V and (a) as a matter of law or official regulations, the Borrower’s country prohibits commercial relations with that country, provided that the Bank is satisfied that such exclusion does not preclude effective competition for the supply of goods or the contracting of works or services required; or (b) by an act of compliance with a decision of the United Nations Security Council taken under Chapter VII of the Charter of the United Nations, the Borrower’s country prohibits any import of goods or contracting of works or services from that country, or any payments to any country, person, or entity in that country.
- 4.9 This Bidding is open for all eligible Bidders, unless otherwise specified in ITB 15.2.
- 4.10 A Bidder shall provide such documentary evidence of eligibility satisfactory to the Purchaser, as the Purchaser shall reasonably request.
- 4.11 A firm that is under a sanction of debarment by the Borrower from being awarded a contract is eligible to participate in this procurement, unless the Bank, at the Borrower’s request, is satisfied that the debarment; (a) relates to fraud or corruption, and (b) followed a judicial or administrative proceeding that afforded the firm adequate due process.

5. Eligible Goods and Services

- 5.1 The Information Systems to be supplied under the Contract and financed by the Bank may have their origin in any country in accordance with Section V, Eligible Countries.

- 5.2 For the purposes of this bidding document, the term “Information System” means all:
- (a) the required information technologies, including all information processing and communications-related hardware, software, supplies, and consumable items that the Supplier is required to supply and install under the Contract, plus all associated documentation, and all other materials and goods to be supplied, installed, integrated, and made operational; and
 - (b) the related software development, transportation, insurance, installation, customization, integration, commissioning, training, technical support, maintenance, repair, and other services necessary for proper operation of the Information System to be provided by the selected Bidder and as specified in the Contract.
- 5.3 For purposes of ITB 5.1 above, “origin” means the place where the goods and services making the Information System are produced in or supplied from. An Information System is deemed to be produced in a certain country when, in the territory of that country, through software development, manufacturing, or substantial and major assembly or integration of components, a commercially recognized product results that is substantially different in basic characteristics or in purpose or utility from its components.

B. CONTENTS OF BIDDING DOCUMENT

- 6. Sections of Bidding Document**
- 6.1 The bidding document consists of Parts 1, 2, and 3, which include all the sections indicated below, and should be read in conjunction with any Addenda issued in accordance with ITB 8:

PART 1 - Bidding Procedures

Section I - Instructions to Bidders (ITB)

Section II - Bid Data Sheet (BDS)

Section III - Evaluation and Qualification Criteria

Section IV - Bidding Forms

Section V - Eligible Countries

Section VI - Fraud and Corruption

PART 2 - Purchaser's Requirements

Section VII - Requirements of the IS, including:

- Technical Requirements
- Implementation Schedule
- System Inventory Tables
- Background and Informational Materials

PART 3 - Contract

Section VIII - General Conditions of Contract

Section IX -Special Conditions of Contract

Section X - Contract Forms

- 6.2 The Specific Procurement Notice – Request for Bids (RFB) issued by the Purchaser is not part of this bidding document.
- 6.3 Unless obtained directly from the Purchaser, the Purchaser is not responsible for the completeness of the document, responses to requests for clarification, the Minutes of the pre-Bid meeting (if any), or Addenda to the bidding document in accordance with ITB 8. In case of any contradiction, documents obtained directly from the Purchaser shall prevail.
- 6.4 The Bidder is expected to examine all instructions, forms, terms, and specifications in the bidding document and to furnish with its Bid all information or documentation as is required by the bidding document.

- 7. Clarification of Bidding Document, Site Visit, Pre-bid Meeting**
- 7.1 A Bidder requiring any clarification of the bidding document shall contact the Purchaser in writing at the Purchaser’s address specified **in the BDS** or raise its enquiries during the pre-Bid meeting if provided for in accordance with ITB 7.4. The Purchaser will respond in writing to any request for clarification, provided that such request is received prior to the deadline for submission of Bids within a period specified **in the BDS**. The Purchaser’s shall forward copies of its response to all Bidders who have acquired the bidding document in accordance with ITB 6.3, including a description of the inquiry but without identifying its source. If so specified **in the BDS**, the Purchaser shall also promptly publish its response at the web page identified **in the BDS**. Should the Purchaser deem it necessary to amend the bidding document as a result of a request for clarification, it shall do so following the procedure under ITB 8 and ITB 23.2.
- 7.2 The Bidder may wish to visit and examine the site where the Information System is to be installed and its surroundings and obtain for itself on its own responsibility all information that may be necessary for preparing the Bid and entering into a contract. The costs of visiting the site shall be at the Bidder’s own expense.
- 7.3 The Bidder and any of its personnel or agents will be granted permission by the Purchaser to enter upon its premises and lands for the purpose of such visit, but only upon the express condition that the Bidder, its personnel, and agents will release and indemnify the Purchaser and its personnel and agents from and against all liability in respect thereof, and will be responsible for death or personal injury, loss of or damage to property, and any other loss, damage, costs, and expenses incurred as a result of the inspection.
- 7.4 The Bidder’s designated representative is invited to attend a pre-Bid meeting and/or a site visit, if provided for **in the BDS**. The purpose of the meeting will be to clarify issues and to answer questions on any matter that may be raised at that stage.
- 7.5 The Bidder is requested, as far as possible, to submit any questions in writing, to reach the Purchaser not later than one week before the meeting.
- 7.6 Minutes of the pre-Bid meeting, including the text of the questions raised without identifying the source, and the responses given, together with any responses prepared after the meeting, will be transmitted promptly to all Bidders who have

acquired the bidding document in accordance with ITB 6.3. Any modification to the bidding document that may become necessary as a result of the pre-Bid meeting shall be made by the Purchaser exclusively through the issue of an Addendum pursuant to ITB 8 and not through the minutes of the pre-Bid meeting.

7.7 Nonattendance at the pre-Bid meeting will not be a cause for disqualification of a Bidder.

8. Amendment of Bidding Document

8.1 At any time prior to the deadline for submission of Bids, the Purchaser may amend the bidding document by issuing addenda.

8.2 Any addendum issued shall be part of the bidding document and shall be communicated in writing to all who have obtained the bidding document from the Purchaser in accordance with ITB 6.3. The Purchaser shall also promptly publish the addendum on the Purchaser's web page in accordance with ITB 7.1.

8.3 To give prospective Bidders reasonable time in which to take an addendum into account in preparing their Bids, the Purchaser may, at its discretion, extend the deadline for the submission of Bids, pursuant to ITB 23.2

C. PREPARATION OF BIDS

9. Cost of Bidding

9.1 The Bidder shall bear all costs associated with the preparation and submission of its Bid, and the Purchaser shall not be responsible or liable for those costs, regardless of the conduct or outcome of the Bidding process.

10. Language of Bid

10.1 The Bid, as well as all correspondence and documents relating to the bid exchanged by the Bidder and the Purchaser, shall be written in the language specified **in the BDS**. Supporting documents and printed literature that are part of the Bid may be in another language provided they are accompanied by an accurate translation of the relevant passages in the language specified **in the BDS**, in which case, for purposes of interpretation of the Bid, such translation shall govern.

11. Documents Comprising the Bid

11.1 The Bid submitted by the Bidder shall comprise the following:

- (a) **Letter of Bid** prepared in accordance with ITB 12;
- (b) **Price Schedules** completed in accordance with ITB 12 and ITB 17;

- (c) **Bid Security or Bid-Securing Declaration** in accordance with ITB 20;
- (d) **Alternative Bid:** if permissible, in accordance with ITB 13;
- (e) **Authorization:** written confirmation authorizing the signatory of the Bid to commit the Bidder, in accordance with ITB 21.3;
- (f) **Eligibility of Information System:** documentary evidence established in accordance with ITB 14.1 that the Information System offered by the Bidder in its Bid or in any alternative Bid, if permitted, are eligible;
- (g) **Bidder's Eligibility:** documentary evidence in accordance with ITB 15 establishing the Bidder's eligibility and qualifications to perform the contract if its Bid is accepted;
- (h) **Conformity:** documentary evidence established in accordance with ITB 16 that the Information System offered by the Bidder conform to the bidding document;
- (i) **Subcontractors:** list of subcontractors, in accordance with ITB 16.4;
- (j) **Intellectual Property:** a list of: Intellectual Property as defined in GCC Clause 15;
 - (i) all Software included in the Bid, assigning each item to one of the software categories defined in GCC Clause 1.1 (c):
 - a. System, General Purpose, and Application Software; or
 - b. Standard and Custom Software;
 - (ii) all Custom Materials, as defined in GCC Clause 1.1 (c), included in the Bid;

All Materials not identified as Custom Materials shall be deemed Standard Materials, as defined in GCC Clause 1.1 (c);

Re-assignments among the Software and Materials categories, if necessary, will be made during the implementation of the Contract according to GCC Clause 39 (Changes to the Information System); and

(k) any other document required **in the BDS**.

11.2 In addition to the requirements under ITB 11.1, Bids submitted by a JV shall include a copy of the Joint Venture Agreement entered into by all members indicating at least the parts of the Information System to be executed by the respective members. Alternatively, a letter of intent to execute a Joint Venture Agreement in the event of a successful Bid shall be signed by all members and submitted with the Bid, together with a copy of the proposed Agreement indicating at least the parts of the Information System to be executed by the respective members.

11.3 The Bidder shall furnish in the Letter of Bid information on commissions and gratuities, if any, paid or to be paid to agents or any other party relating to this Bid.

12. Letter of Bid and Price Schedules

12.1 The Bidder shall complete the Letter of Bid, including the appropriate Price Schedules, using the relevant forms furnished in Section IV, Bidding Forms. The forms must be completed without any alterations to the text, and no substitutes shall be accepted except as provided under ITB 21.3. All blank spaces shall be filled in with the information requested.

13. Alternative Bids

13.1 The BDS indicates whether alternative Bids are allowed. If they are allowed, the **BDS** will also indicate whether they are permitted in accordance with ITB 13.3, or invited in accordance with ITB 13.2 and/or ITB 13.4.

13.2 When alternatives to the Time Schedule are explicitly invited, a statement to that effect will be included **in the BDS**, and the method of evaluating different time schedules will be described in Section III, Evaluation and Qualification Criteria.

13.3 Except as provided under ITB 13.4 below, Bidders wishing to offer technical alternatives to the Purchaser's requirements as described in the bidding document must also provide: (i) a price at which they are prepared to offer an Information System meeting the Purchaser's requirements; and (ii) all

information necessary for a complete evaluation of the alternatives by the Purchaser, including drawings, design calculations, technical specifications, breakdown of prices, and proposed installation methodology and other relevant details. Only the technical alternatives, if any, of the Bidder with the Most Advantageous Bid conforming to the basic technical requirements shall be considered by the Purchaser.

13.4 When Bidders are invited **in the BDS** to submit alternative technical solutions for specified parts of the system, such parts shall be described in Section VII, Purchaser's Requirements. Technical alternatives that comply with the performance and technical criteria specified for the Information System shall be considered by the Purchaser on their own merits, pursuant to ITB 35.

**14. Documents
Establishing the
Eligibility of the
Information System**

14.1 To establish the eligibility of the Information System in accordance with ITB 5, Bidders shall complete the country of origin declarations in the Price Schedule Forms, included in Section IV, Bidding Forms.

**15. Documents
Establishing the
Eligibility and
Qualifications of the
Bidder**

15.1 To establish its eligibility and qualifications to perform the Contract in accordance with Section III, Evaluation and Qualification Criteria, the Bidder shall provide the information requested in the corresponding information sheets included in Section IV, Bidding Forms.

15.2 In the event that prequalification of potential Bidders has been undertaken as stated **in the BDS**, only Bids from prequalified Bidders shall be considered for award of Contract. These qualified Bidders should submit with their Bids any information updating their original prequalification applications or, alternatively, confirm in their Bids that the originally submitted prequalification information remains essentially correct as of the date of Bid submission.

**16. Documents
Establishing
Conformity of the
Information System**

16.1 Pursuant to ITB 11.1 (h), the Bidder shall furnish, as part of its Bid documents establishing the conformity to the bidding documents of the Information System that the Bidder proposes to design, supply and install under the Contract

16.2 The documentary evidence of conformity of the Information System to the bidding documents including:

- (a) Preliminary Project Plan describing, among other things, the methods by which the Bidder will carry out its overall management and coordination responsibilities if awarded the Contract, and the

human and other resources the Bidder proposes to use. The Preliminary Project Plan must also address any other topics **specified in the BDS**. In addition, the Preliminary Project Plan should state the Bidder's assessment of what it expects the Purchaser and any other party involved in the implementation of the Information System to provide during implementation and how the Bidder proposes to coordinate the activities of all involved parties;

- (b) written confirmation that the Bidder accepts responsibility for the successful integration and interoperability of all components of the Information System as required by the bidding documents;
- (c) an item-by-item commentary on the Purchaser's Technical Requirements, demonstrating the substantial responsiveness of the Information System offered to those requirements. In demonstrating responsiveness, the Bidder is encouraged to use the Technical Responsiveness Checklist (or Checklist Format) in the Sample Bidding Forms (Section IV). The commentary shall include explicit cross-references to the relevant pages in the supporting materials included in the bid. Whenever a discrepancy arises between the item-by-item commentary and any catalogs, technical specifications, or other preprinted materials submitted with the bid, the item-by-item commentary shall prevail;
- (d) support material (e.g., product literature, white papers, narrative descriptions of technologies and/or technical approaches), as required and appropriate; and
- (e) any separate and enforceable contract(s) for Recurrent Cost items which the BDS ITB 17.2 required Bidders to bid.

16.3 References to brand names or model numbers or national or proprietary standards designated by the Purchaser in the bidding documents are intended to be descriptive and not restrictive. Except where explicitly **prohibited in the BDS** for specific items or standards, the Bidder may substitute alternative brand/model names or standards in its bid, provided that it demonstrates to the Purchaser's satisfaction that the use of the substitute(s) will result in the Information System being able to perform substantially equivalent to or

better than that specified in the Technical Requirements.

- 16.4 For major items of the Information System as listed by the Purchaser in Section III, Evaluation and Qualification Criteria, which the Bidder intends to purchase or subcontract, the Bidder shall give details of the name and nationality of the proposed subcontractors, including manufacturers, for each of those items. In addition, the Bidder shall include in its Bid information establishing compliance with the requirements specified by the Purchaser for these items. Quoted rates and prices will be deemed to apply to whichever subcontractor is appointed, and no adjustment of the rates and prices will be permitted.
- 16.5 The Bidder shall be responsible for ensuring that any subcontractor proposed complies with the requirements of ITB 4, and that any goods or services to be provided by the subcontractor comply with the requirements of ITB 5 and ITB 16.1.

17. Bid Prices

- 17.1 All Goods and Services identified in the Supply and Installation Cost Sub-Tables in System Inventory Tables in Section VII, and all other Goods and Services proposed by the Bidder to fulfill the requirements of the Information System, must be priced separately and summarized in the corresponding cost tables in the Sample Bidding Forms (Section IV), in accordance with the instructions provided in the tables and in the manner specified below.
- 17.2 **Unless otherwise specified in the BDS**, the Bidder must also bid Recurrent Cost Items specified in the Technical Requirements, Recurrent Cost Sub-Table of the System Inventory Tables in Section VII (if any). These must be priced separately and summarized in the corresponding cost tables in the Sample Bidding Forms (Section IV), in accordance with the instructions provided in the tables and in the manner specified below:
- (a) **if specified in the BDS**, the Bidder must also bid separate enforceable contracts for the Recurrent Cost Items not included in the main Contract;
 - (b) prices for Recurrent Costs are all-inclusive of the costs of necessary Goods such as spare parts, software license renewals, labor, etc., needed for the continued and proper operation of the Information System and, if appropriate, of the Bidder's own allowance for price

increases;

- (c) prices for Recurrent Costs beyond the scope of warranty services to be incurred during the Warranty Period, defined in GCC Clause 29.4 and prices for Recurrent Costs to be incurred during the Post-Warranty Period, defined in SCC Clause 1.1. (e) (xiii), shall be quoted as Service prices on the Recurrent Cost Sub-Table in detail, and on the Recurrent Cost Summary Table in currency totals.

17.3 Unit prices must be quoted at a level of detail appropriate for calculation of any partial deliveries or partial payments under the contract, in accordance with the Implementation Schedule in Section VII), and with GCC and SCC Clause 12 – Terms of Payment. Bidders may be required to provide a breakdown of any composite or lump-sum items included in the Cost Tables

17.4 The price of items that the Bidder has left blank in the cost tables provided in the Sample Bid Forms (Section IV) shall be assumed to be included in the price of other items. Items omitted altogether from the cost tables shall be assumed to be omitted from the bid and, provided that the bid is substantially responsive, an adjustment to the bid price will be made during bid evaluation in accordance with ITB 31.3.

17.5 The prices for Goods components of the Information System are to be expressed and shall be defined and governed in accordance with the rules prescribed in the edition of Incoterms **specified in the BDS**, as follows:

- (a) Goods supplied from outside the Purchaser's country:

Unless otherwise specified in the BDS, the prices shall be quoted on a CIP (named place of destination) basis, exclusive of all taxes, stamps, duties, levies, and fees imposed in the Purchaser's country. The named place of destination and special instructions for the contract of carriage are as specified in the SCC for GCC 1.1 (e) (iii). In quoting the price, the Bidder shall be free to use transportation through carriers registered in any eligible countries. Similarly, the Bidder may obtain insurance services from any eligible source country;

- (b) Locally supplied Goods:

Unit prices of Goods offered from within the Purchaser's

Country, shall be quoted on an EXW (ex factory, ex works, ex warehouse or off-the-shelf, as applicable) basis, including all customs duties, levies, fees, sales and other taxes incurred until delivery of the Goods, but excluding all VAT or sales and other taxes and duties/fees incurred for the Goods at the time of invoicing or sales transaction, if the Contract is awarded;

(c) Inland transportation.

- 17.6 **Unless otherwise stated in the BDS**, inland transportation, insurance and related local costs incidental to the delivery of the Goods to the designated Project Sites must be quoted separately as a Service item in accordance with ITB 17.5, whether the Goods are to be supplied locally or from outside the Purchaser's country, except when these costs are already included in the price of the Goods, as is, e.g., the case, when ITB 17.5 (a) specifies CIP, and the named places of destination are the Project Sites.
- 17.7 The price of Services shall be separated into their local and foreign currency components and where appropriate, broken down into unit prices. Prices must include all taxes, duties, levies and fees whatsoever, except only VAT or other indirect taxes, or stamp duties, that may be assessed and/or apply in the Purchaser's country on/to the price of the Services invoiced to the Purchaser, if the Contract is awarded.
- 17.8 **Unless otherwise specified in the BDS**, the prices must include all costs incidental to the performance of the Services, as incurred by the Supplier, such as travel, subsistence, office support, communications, translation, printing of materials, etc. Costs incidental to the delivery of the Services but incurred by the Purchaser or its staff, or by third parties, must be included in the price only to the extent such obligations are made explicit in these bidding documents (as, e.g., a requirement for the Bidder to include the travel and subsistence costs of trainees).
- 17.9 **Unless otherwise specified in the BDS**, prices quoted by the Bidder shall be fixed during the Bidder's performance of the Contract and not subject to increases on any account. Bids submitted that are subject to price adjustment will be rejected.

18. Currencies of Bid and Payment

18.1 The currency(ies) of the Bid and currencies of payment shall be the same. The Bidder shall quote in the currency of the Purchaser's Country the portion of the Bid price that corresponds to expenditures incurred in the currency of the Purchaser's Country, unless otherwise specified **in the BDS**.

18.2 The Bidder may express the Bid price in any currency. If the Bidder wishes to be paid in a combination of amounts in different currencies, it may quote its price accordingly but shall use no more than three foreign currencies in addition to the currency of the Purchaser's Country.

19. Period of Validity of Bids

19.1 Bids shall remain valid for the period specified **in the BDS** after the Bid submission deadline date prescribed by the Purchaser in accordance with ITB 23.1. A Bid valid for a shorter period shall be rejected by the Purchaser as nonresponsive.

19.2 In exceptional circumstances, prior to the expiration of the Bid validity period, the Purchaser may request Bidders to extend the period of validity of their Bids. The request and the responses shall be made in writing. If a Bid Security is requested in accordance with ITB 20.1, it shall also be extended for twenty-eight days (28) beyond the deadline of the extended validity period. A Bidder may refuse the request without forfeiting its Bid Security. A Bidder granting the request shall not be required or permitted to modify its Bid, except as provided in ITB 19.3.

19.3 If the award is delayed by a period exceeding fifty-six (56) days beyond the expiry of the initial Bid validity, the Contract price shall be determined as follows:

- (a) in case of fixed price contracts, the contract price shall be the Bid price adjusted by a factor or factors specified **in the BDS**;
- (b) in the case of an adjustable price contracts, no adjustments shall be made;
- (c) in any case, Bid evaluation shall be based on the Bid Price without taking into consideration the applicable correction from those indicated above.

20. Bid Security

20.1 The Bidder shall furnish as part of its Bid, either a Bid-Securing Declaration or a Bid Security as specified **in the BDS**, in original form and, in the case of a Bid Security, in the amount and currency specified **in the BDS**.

20.2 A Bid-Securing Declaration shall use the form included in Section IV, Bidding Forms.

20.3 If a Bid Security is specified pursuant to ITB 20.1, the bid security shall be a demand guarantee in any of the following forms at the Bidder's option:

- (a) an unconditional guarantee issued by a non-bank financial institution (such as an insurance, bonding or surety company);
- (b) an irrevocable letter of credit;
- (c) a cashier's or certified check; or
- (d) another security indicated **in the BDS**,

from a reputable source from an eligible country. If an unconditional guarantee is issued by a non-bank financial institution located outside the Purchaser's Country the issuing non-bank financial institution shall have a correspondent financial institution located in the Purchaser's Country to make it enforceable unless the Purchaser has agreed in writing, prior to Bid submission, that a correspondent financial institution is not required.

20.4 In the case of a bank guarantee, the Bid Security shall be submitted either using the Bid Security Form included in Section IV, Bidding Forms or in another substantially similar format approved by the Purchaser prior to Bid submission. In either case, the form must include the complete name of the Bidder. The Bid Security shall be valid for twenty-eight days (28) beyond the original validity period of the Bid, or beyond any period of extension if requested under ITB 19.2.

20.5 If a Bid Security or a Bid-Securing Declaration is specified pursuant to ITB 20.1, any Bid not accompanied by a substantially responsive Bid Security or Bid-Securing Declaration shall be rejected by the Purchaser as non-responsive.

20.6 If a Bid Security is specified pursuant to ITB 20.1, the Bid Security of unsuccessful Bidders shall be returned as promptly as possible upon the successful Bidder's furnishing of the Performance Security pursuant to ITB 48.

20.7 The Bid Security of the successful Bidder shall be returned as promptly as possible once the successful Bidder has signed the Contract and furnished the required Performance Security.

20.8 The Bid Security may be forfeited or the Bid-Securing Declaration executed:

- (a) if a Bidder withdraws its Bid during the period of Bid validity specified by the Bidder on the Letter of Bid; or
- (b) if the successful Bidder fails to:
 - (i) Sign the Contract in accordance with ITB 47; or
 - (ii) Furnish a performance security in accordance with ITB 48.

20.9 The Bid Security or the Bid-Securing Declaration of a JV shall be in the name of the JV that submits the bid. If the JV has not been legally constituted into a legally enforceable JV at the time of Bidding, the Bid Security or the Bid-Securing Declaration shall be in the names of all future members as named in the letter of intent referred to in ITB 4.1 and ITB 11.2.

20.10 If a Bid Security is not required **in the BDS**, and;

- (a) if a Bidder withdraws its Bid during the period of Bid validity specified by the Bidder on the Letter of Bid Form, except as provided in ITB 19.2; or
- (b) if the successful Bidder fails to: sign the Contract in accordance with ITB 47; or furnish a Performance Security in accordance with ITB 48;

the Purchaser may, if provided for **in the BDS**, declare the Bidder disqualified to be awarded a contract by the Purchaser for a period of time as stated **in the BDS**.

21. Format and Signing of Bid

- 21.1 The Bidder shall prepare one original of the documents comprising the Bid as described in ITB 11 and clearly mark it “ORIGINAL.” Alternative Bids, if permitted in accordance with ITB 13, shall be clearly marked “ALTERNATIVE”. In addition, the Bidder shall submit copies of the Bid, in the number specified **in the BDS** and clearly mark them “COPY.” In the event of any discrepancy between the original and the copies, the original shall prevail.
- 21.2 Bidders shall mark as “CONFIDENTIAL” information in their Bids which is confidential to their business. This may include proprietary information, trade secrets, or commercial or financially sensitive information.
- 21.3 The original and all copies of the Bid shall be typed or written in indelible ink and shall be signed by a person duly authorized to sign on behalf of the Bidder. This authorization shall consist of a written confirmation as specified **in the BDS** and shall be attached to the Bid. The name and position held by each person signing the authorization must be typed or printed below the signature. All pages of the Bid where entries or amendments have been made shall be signed or initialed by the person signing the Bid.
- 21.4 In case the Bidder is a JV, the Bid shall be signed by an authorized representative of the JV on behalf of the JV, and so as to be legally binding on all the members as evidenced by a power of attorney signed by their legally authorized representatives.
- 21.5 Any interlineations, erasures, or overwriting shall be valid only if they are signed or initialed by the person signing the Bid.

D. SUBMISSION AND OPENING OF BIDS

22. Submission, Sealing and Marking of Bids

- 22.1 The Bidder shall deliver the Bid in a single, sealed envelope (one (1) envelope process). Within the single envelope the Bidder shall place the following separate, sealed envelopes:
- (a) in an envelope marked “ORIGINAL”, all documents comprising the Bid, as described in ITB 11; and
 - (b) in an envelope marked “COPIES”, all required copies of the Bid; and,
 - (c) if alternative Bids are permitted in accordance with ITB

13, and if relevant:

- (i) in an envelope marked “ORIGINAL – ALTERNATIVE BID”, the alternative Bid; and
- (ii) in the envelope marked “COPIES – ALTERNATIVE BID” all required copies of the alternative Bid.

22.2 The inner and outer envelopes shall:

- (a) bear the name and address of the Bidder;
- (b) be addressed to the Purchaser in accordance with ITB 23.1;
- (c) bear the specific identification of this Bidding process indicated in accordance with ITB 1.1; and
- (d) bear a warning not to open before the time and date for Bid opening.

22.3 If all envelopes are not sealed and marked as required, the Purchaser will assume no responsibility for the misplacement or premature opening of the Bid.

23. Deadline for Submission of Bids

23.1 Bids must be received by the Purchaser at the address and no later than the date and time indicated **in the BDS**. When so specified **in the BDS**, Bidders shall have the option of submitting their Bids electronically. Bidders submitting Bids electronically shall follow the electronic Bid submission procedures specified **in the BDS**.

23.2 The Purchaser may, at its discretion, extend this deadline for submission of Bids by amending the bidding documents in accordance with ITB 8, in which case all rights and obligations of the Purchaser and Bidders will thereafter be subject to the deadline as extended.

24. Late Bids

24.1 The Purchaser shall not consider any Bid that arrives after the deadline for submission of Bids, in accordance with ITB 23. Any Bid received by the Purchaser after the deadline for submission of Bids shall be declared late, rejected, and returned unopened to the Bidder.

25. Withdrawal, Substitution, and Modification of Bids

25.1 A Bidder may withdraw, substitute, or modify its Bid after it has been submitted by sending a written notice, duly signed by an authorized representative, and shall include a copy of the authorization in accordance with ITB 21.3, (except that withdrawal notices do not require copies). The corresponding substitution or modification of the Bid must accompany the respective written notice. All notices must be:

- (a) prepared and submitted in accordance with ITB 21 and ITB 22 (except that withdrawal notices do not require copies), and in addition, the respective envelopes shall be clearly marked “WITHDRAWAL,” “SUBSTITUTION,” “MODIFICATION;” and
- (b) received by the Purchaser prior to the deadline prescribed for submission of Bids, in accordance with ITB 23.

25.2 Bids requested to be withdrawn in accordance with ITB 25.1 shall be returned unopened to the Bidders.

25.3 No Bid may be withdrawn, substituted, or modified in the interval between the deadline for submission of Bids and the expiration of the period of Bid validity specified by the Bidder on the Letter of Bid or any extension thereof.

26. Bid Opening

26.1 Except as in the cases specified in ITB 24 and ITB 25.2, the Purchaser shall conduct the Bid opening in public, in the presence of Bidders` designated representatives and anyone who chooses to attend, and at the address, date and time specified **in the BDS**. Any specific electronic Bid opening procedures required if electronic bidding is permitted in accordance with ITB 23.1, shall be as specified **in the BDS**.

26.2 First, envelopes marked “Withdrawal” shall be opened and read out and the envelope with the corresponding Bid shall not be opened, but returned to the Bidder. No Bid withdrawal shall be permitted unless the corresponding withdrawal notice contains a valid authorization to request the withdrawal and is read out at Bid opening.

26.3 Next, envelopes marked “Substitution” shall be opened and read out and exchanged with the corresponding Bid being substituted, and the substituted Bid shall not be opened, but returned to the Bidder. No Bid substitution shall be permitted unless the corresponding substitution notice contains a valid authorization to request the substitution and is read out at Bid

opening.

- 26.4 Envelopes marked “Modification” shall be opened and read out with the corresponding Bid. No Bid modification shall be permitted unless the corresponding modification notice contains a valid authorization to request the modification and is read out at Bid opening. Only Bids that are opened and read out at Bid opening shall be considered further.
- 26.5 Next, all remaining envelopes shall be opened one at a time, reading out: the name of the Bidder and the Bid Price(s), including any discounts and alternative Bids, and indicating whether there is a modification; the presence or absence of a Bid Security or Bid-Securing Declaration; and any other details as the Purchaser may consider appropriate.
- 26.6 Only Bids, alternative Bids and discounts that are opened and read out at Bid opening shall be considered further in the evaluation. The Letter of Bid and the Price Schedules are to be initialed by representatives of the Purchaser attending Bid opening in the manner specified **in the BDS**.
- 26.7 The Purchaser shall neither discuss the merits of any Bid nor reject any Bid (except for late Bids, in accordance with ITB 24.1).
- 26.8 The Purchaser shall prepare a record of the Bid opening that shall include, as a minimum:
- (a) the name of the Bidder and whether there is a withdrawal, substitution, or modification;
 - (b) the Bid Price, per lot if applicable, including any discounts;
 - (c) any alternative Bids; and
 - (d) the presence or absence of a Bid Security or a Bid-Securing Declaration.
- 26.9 The Bidders’ representatives who are present shall be requested to sign the record. The omission of a Bidder’s signature on the record shall not invalidate the contents and effect of the record. A copy of the record shall be distributed to all Bidders.

E. Evaluation and Comparison of Bids

- 27. Confidentiality**
- 27.1 Information relating to the evaluation of Bids and recommendation of contract award, shall not be disclosed to Bidders or any other persons not officially concerned with the Bidding process until the Notification of Intention to Award the Contract is transmitted to all Bidders in accordance with ITB 42.
- 27.2 Any effort by a Bidder to influence the Purchaser in the evaluation of the Bids or Contract award decisions may result in the rejection of its Bid.
- 27.3 Notwithstanding ITB 27.2, from the time of Bid opening to the time of Contract award, if any Bidder wishes to contact the Purchaser on any matter related to the Bidding process, it should do so in writing.
- 28. Clarification of Bids**
- 28.1 To assist in the examination, evaluation, and comparison of the Bids, and qualification of the Bidders, the Purchaser may, at its discretion, ask any Bidder for a clarification of its Bid. Any clarification submitted by a Bidder that is not in response to a request by the Purchaser shall not be considered. The Purchaser's request for clarification and the response shall be in writing. No change in the prices or substance of the Bid shall be sought, offered, or permitted, except to confirm the correction of arithmetic errors discovered by the Purchaser in the evaluation of the Bids, in accordance with ITB 32.
- 28.2 If a Bidder does not provide clarifications of its Bid by the date and time set in the Purchaser's request for clarification, its Bid may be rejected.
- 29. Deviations, Reservations, and Omissions**
- 29.1 During the evaluation of Bids, the following definitions apply:
- (a) "Deviation" is a departure from the requirements specified in the bidding document;
 - (b) "Reservation" is the setting of limiting conditions or withholding from complete acceptance of the requirements specified in the bidding document; and
 - (c) "Omission" is the failure to submit part or all of the information or documentation required in the bidding document.
- 30. Determination of Responsiveness**
- 30.1 The Purchaser's determination of a Bid's responsiveness is to be based on the contents of the Bid itself, as defined in ITB 11.

30.2 A substantially responsive Bid is one that meets the requirements of the bidding document without material deviation, reservation, or omission. A material deviation, reservation, or omission is one that;

- (a) if accepted, would:
 - (i) affect in any substantial way the scope, quality, or performance of the Information System specified in the Contract; or
 - (ii) limit in any substantial way, inconsistent with the bidding document, the Purchaser's rights or the Bidder's obligations under the proposed Contract; or
- (b) if rectified, would unfairly affect the competitive position of other Bidders presenting substantially responsive Bids.

30.3 The Purchaser shall examine the technical aspects of the Bid in particular, to confirm that all requirements of Section VII, Purchaser's Requirements have been met without any material deviation, reservation, or omission.

30.4 To be considered for Contract award, Bidders must have submitted Bids:

- (a) for which detailed Bid evaluation using the same standards for compliance determination as listed in ITB 29 and ITB 30.3 confirms that the Bids are commercially and technically responsive, and include the hardware, Software, related equipment, products, Materials, and other Goods and Services components of the Information System in substantially the full required quantities for the entire Information System or, if allowed in the BDS ITB 35.8, the individual Subsystem, lot or slice Bid on; and are deemed by the Purchaser as commercially and technically responsive; and
- (b) that offer Information Technologies that are proven to perform up to the standards promised in the bid by having successfully passed the performance, benchmark, and/or functionality tests the Purchaser may require, pursuant to ITB 39.3.

**31. Nonmaterial
Nonconformities**

31.1 Provided that a Bid is substantially responsive, the Purchaser may waive any nonconformity in the Bid that does not constitute a material deviation, reservation or omission.

- 31.2 Provided that a Bid is substantially responsive, the Purchaser may request that the Bidder submit the necessary information or documentation, within a reasonable period of time, to rectify nonmaterial nonconformities in the Bid related to documentation requirements. Requesting information or documentation on such nonconformities shall not be related to any aspect of the price of the Bid. Failure of the Bidder to comply with the request may result in the rejection of its Bid.
- 31.3 Provided that a Bid is substantially responsive, the Purchaser shall rectify quantifiable nonmaterial nonconformities related to the Bid Price. To this effect, the Bid Price shall be adjusted, for comparison purposes only, to reflect the price of a missing or non-conforming item or component in the manner specified **in the BDS**.
- 32. Correction of Arithmetical Errors**
- 32.1 Provided that the Bid is substantially responsive, the Purchaser shall correct arithmetical errors on the following basis:
- (a) where there are errors between the total of the amounts given under the column for the price breakdown and the amount given under the Total Price, the former shall prevail and the latter will be corrected accordingly;
 - (b) where there are errors between the total of the amounts of Schedule Nos. 1 to 5 and the amount given in Schedule No. 6 (Grand Summary), the former shall prevail and the latter will be corrected accordingly; and
 - (c) if there is a discrepancy between words and figures, the amount in words shall prevail, unless the amount expressed in words is related to an arithmetic error, in which case the amount in figures shall prevail subject to (a) and (b) above.
- 32.2 A Bidder shall be requested to accept the correction of arithmetical errors. Failure to accept the correction in accordance with ITB 32.1 shall result in the rejection of the Bid.
- 33. Conversion to Single Currency**
- 33.1 For evaluation and comparison purposes, the currency(ies) of the Bid shall be converted into a single currency as specified **in the BDS**.
- 34. Margin of Preference**
- 34.1 No margin of domestic preference shall apply.
- 35. Evaluation of Bids**
- 35.1 The Purchaser shall use the criteria and methodologies listed in this ITB and Section III, Evaluation and Qualification criteria.

No other evaluation criteria or methodologies shall be permitted. By applying the criteria and methodologies the Purchaser shall determine the Most Advantageous Bid.

Preliminary Examination

35.2 The Purchaser will examine the bids, to determine whether they have been properly signed, whether required sureties have been furnished, whether any computational errors have been made, whether required sureties have been furnished and are substantially complete (e.g., not missing key parts of the bid or silent on excessively large portions of the Technical Requirements). In the case where a pre-qualification process was undertaken for the Contract(s) for which these bidding documents have been issued, the Purchaser will ensure that each bid is from a pre-qualified bidder and, in the case of a Joint Venture, that partners and structure of the Joint Venture are unchanged from those in the pre-qualification

Technical Evaluation

35.3 The Purchaser will examine the information supplied by the Bidders Pursuant to ITB 11 and ITB 16, and in response to other requirements in the Bidding document, taking into account the following factors:

- (a) overall completeness and compliance with the Technical Requirements; and deviations from the Technical Requirements;
- (b) suitability of the Information System offered in relation to the conditions prevailing at the site; and the suitability of the implementation and other services proposed, as described in the Preliminary Project Plan included in the bid;
- (c) achievement of specified performance criteria by the Information System;
- (d) compliance with the time schedule called for by the Implementation Schedule and any alternative time schedules offered by Bidders, as evidenced by a milestone schedule provided in the Preliminary Project Plan included in the bid;
- (e) type, quantity, quality, and long-term availability of maintenance services and of any critical consumable items necessary for the operation of the Information System;

- (f) any other relevant technical factors that the Purchaser deems necessary or prudent to take into consideration;
- (g) any proposed deviations in the bid to the contractual and technical provisions stipulated in the bidding documents.

35.4 If specified **in the BDS**, the Purchaser's evaluation of responsive Bids will take into account technical factors, in addition to cost factors. An Evaluated Bid Score (B) will be calculated for each responsive Bid using the formula, specified in Section III, Evaluation and Qualification Criteria, which permits a comprehensive assessment of the Bid cost and the technical merits of each Bid

35.5 Where alternative technical solutions have been allowed in accordance with ITB 13, and offered by the Bidder, the Purchaser will make a similar evaluation of the alternatives. Where alternatives have not been allowed but have been offered, they shall be ignored.

Economic Evaluation

35.6 To evaluate a Bid, the Purchaser shall consider the following:

- (a) the Bid price, excluding provisional sums and the provision, if any, for contingencies in the Price Schedules;
- (b) price adjustment for correction of arithmetic errors in accordance with ITB 32.1;
- (c) price adjustment due to discounts offered in accordance with ITB 26.8;
- (d) converting the amount resulting from applying (a) to (c) above, if relevant, to a single currency in accordance with ITB 33; and
- (e) price adjustment due to quantifiable nonmaterial nonconformities in accordance with ITB 31.3;
- (f) the evaluation factors indicated in Section III, Evaluation and Qualification Criteria.

35.7 If price adjustment is allowed in accordance with ITB 17.9, the estimated effect of the price adjustment provisions of the Conditions of Contract, applied over the period of execution of the Contract, shall not be taken into account in Bid evaluation.

35.8 The Purchaser will evaluate and compare the Bids that have been determined to be substantially responsive, pursuant to ITB 30. The evaluation will be performed assuming either that:

- (a) the Contract will be awarded to the Most Advantageous Bid for the entire Information System; or
- (b) if specified **in the BDS**, Contracts will be awarded to the Bidders for each individual Subsystem, lot, or slice defined in the Technical Requirements whose Bids result in the Most Advantageous Bid/Bids for the entire System.

In the latter case, discounts that are conditional on the award of more than one Subsystem, lot, or slice may be offered in Bids. Such discounts will be considered in the evaluation of bids as specified **in the BDS**.

36. Comparison of Bids

36.1 The Purchaser shall compare all substantially responsive Bids in accordance with ITB 35.6 to determine the lowest evaluated cost.

37. Abnormally Low Bids

37.1 An Abnormally Low Bid is one where the Bid price in combination with other constituent elements of the Bid appears unreasonably low to the extent that the Bid price raises material concerns as to the capability of the Bidder to perform the Contract for the offered Bid Price.

37.2 In the event of identification of a potentially Abnormally Low Bid, the Purchaser shall seek written clarifications from the Bidder, including detailed price analyses of its Bid price in relation to the subject matter of the contract, scope, proposed methodology, schedule, allocation of risks and responsibilities and any other requirements of the bidding document.

37.3 After evaluation of the price analyses, in the event that the Purchaser determines that the Bidder has failed to demonstrate its capability to perform the Contract for the offered Bid Price, the Purchaser shall reject the Bid.

38. Unbalanced or Front Loaded Bids

38.1 If the Bid that is evaluated as the lowest evaluated cost is, in the Purchaser's opinion, seriously unbalanced or front loaded the Purchaser may require the Bidder to provide written clarifications. Clarifications may include detailed price analyses to demonstrate the consistency of the Bid prices with the scope of information systems, installations, proposed methodology, schedule and any other requirements of the bidding document.

38.2 After the evaluation of the information and detailed price

analyses presented by the Bidder, the Purchaser may:

- (a) accept the Bid; or
- (b) if appropriate, require that the total amount of the Performance Security be increased, at the expense of the Bidder, to a level not exceeding twenty percent (20%) of the Contract Price; or
- (c) reject the Bid.

39. Eligibility and Qualification of the Bidder

- 39.1 The Purchaser shall determine to its satisfaction whether the Bidder that is selected as having submitted the lowest evaluated and substantially responsive Bid is eligible and meets the qualifying criteria specified in Section III, Evaluation and Qualification Criteria.
- 39.2 The determination shall be based upon an examination of the documentary evidence of the Bidder's qualifications submitted by the Bidder, pursuant to ITB 15.
- 39.3 **Unless otherwise specified in the BDS**, the Purchaser will NOT carry out tests at the time of post-qualification, to determine that the performance or functionality of the Information System offered meets those stated in the Technical Requirements. However, if **so specified in the BDS** the Purchaser may carry out such tests **as detailed in the BDS**.
- 39.4 An affirmative determination shall be a prerequisite for award of the Contract to the Bidder. A negative determination shall result in disqualification of the Bid, in which event the Purchaser shall proceed to the next lowest evaluated cost or best evaluated Bid, as the case may be, to make a similar determination of that Bidder's qualifications to perform satisfactorily.
- 39.5 The capabilities of the manufacturers and subcontractors proposed by the Bidder that is determined to have offered the Most Advantageous Bid for identified major items of supply or services will also be evaluated for acceptability in accordance with Section III, Evaluation and Qualification Criteria. Their participation should be confirmed with a letter of intent between the parties, as needed. Should a manufacturer or subcontractor be determined to be unacceptable, the Bid will not be rejected, but the Bidder will be required to substitute an acceptable manufacturer or subcontractor without any change to the Bid price. Prior to signing the Contract, the corresponding Appendix to the Contract Agreement shall be completed, listing

the approved manufacturers or subcontractors for each item concerned.

**40. Purchaser's
Right to Accept
Any Bid, and to
Reject Any or All
Bids**

40.1 The Purchaser reserves the right to accept or reject any Bid, and to annul the Bidding process and reject all Bids at any time prior to contract award, without thereby incurring any liability to Bidders. In case of annulment, all Bids submitted and specifically, Bid securities, shall be promptly returned to the Bidders.

41. Standstill Period

41.1 The Contract shall not be awarded earlier than the expiry of the Standstill Period. The Standstill Period shall be ten (10) Business Days unless extended in accordance with ITB 46. The Standstill Period commences the day after the date the Purchaser has transmitted to each Bidder the Notification of Intention to Award the Contract. Where only one Bid is submitted, or if this contract is in response to an emergency situation recognized by the Bank, the Standstill Period shall not apply.

**42. Notification of
Intention to
Award**

42.1 The Purchaser shall send to each Bidder the Notification of Intention to Award the Contract to the successful Bidder. The Notification of Intention to Award shall contain, at a minimum, the following information:

- (a) the name and address of the Bidder submitting the successful Bid;
- (b) the Contract price of the successful Bid;
- (c) the total combined score of the successful Bid;
- (d) the names of all Bidders who submitted Bids, and their Bid prices as readout and as evaluated prices and technical scores (if applicable);
- (e) a statement of the reason(s) the Bid (of the unsuccessful Bidder to whom the notification is addressed) was unsuccessful;
- (f) the expiry date of the Standstill Period; and
- (g) instructions on how to request a debriefing or submit a complaint during the standstill period;

F. AWARD OF CONTRACT

43. Award Criteria

43.1 Subject to ITB 40, the Purchaser shall award the Contract to the successful Bidder. This is the Bidder whose Bid has been determined to be the Most Advantageous Bid. The determination of the Most Advantageous Bid will be made in accordance to one of the two options as defined in **the BDS**. The methodology options are:

(a) when **rated criteria are used**: The Bidder that meets the qualification criteria and whose Bid:

(i) is substantially responsive; and

(ii) is the best evaluated Bid (i.e. the Bid with the highest combined technical/quality/price score); or

(b) when **rated criteria are not used**: The Bidder that meets the qualification criteria and whose Bid has been determined to be:

(i) substantially responsive to the bidding document; and

(ii) the lowest evaluated cost.

44. Purchaser's Right to Vary Quantities at Time of Award

44.1 The Purchaser reserves the right at the time of Contract award to increase or decrease, by the percentage(s) for items as indicated in **the BDS**.

45. Notification of Award

45.1 Prior to the expiration of the Bid Validity Period and upon expiry of the Standstill Period, specified in ITB 41.1 or any extension thereof, and, upon satisfactorily addressing any complaint that has been filed within the Standstill Period, the Purchaser shall notify the successful Bidder, in writing, that its Bid has been accepted. The notification letter (hereinafter and in the Contract Forms called the "Letter of Acceptance") shall specify the sum that the Purchaser will pay the Supplier in consideration of the execution of the Contract (hereinafter and in the Conditions of Contract and Contract Forms called "the Contract Price").

45.2 Within ten (10) Business days after the date of transmission of the Letter of Acceptance, the Purchaser shall publish the Contract Award Notice which shall contain, at a minimum, the following information:

- (a) name and address of the Purchaser;
- (b) name and reference number of the contract being awarded, and the selection method used;
- (c) names of all Bidders that submitted Bids, and their Bid prices as read out at Bid opening, and as evaluated;
- (d) name of Bidders whose Bids were rejected and the reasons for their rejection;
- (e) the name of the successful Bidder, the final total contract price, the contract duration and a summary of its scope; and
- (f) Successful Bidder's Beneficial Ownership Disclosure Form, if specified in BDS ITB 47.1.

45.3 The Contract Award Notice shall be published on the Purchaser's website with free access if available, or in at least one newspaper of national circulation in the Purchaser's Country, or in the official gazette. The Purchaser shall also publish the Contract Award Notice in UNDB online.

45.4 Until a formal contract is prepared and executed, the Notification of Award shall constitute a binding Contract.

46. Debriefing by the Purchaser

46.1 On receipt of the Purchaser's Notification of Intention to Award referred to in ITB 42, an unsuccessful Bidder has three (3) Business Days to make a written request to the Purchaser for a debriefing. The Purchaser shall provide a debriefing to all unsuccessful Bidders whose request is received within this deadline.

46.2 Where a request for debriefing is received within the deadline, the Purchaser shall provide a debriefing within five (5) Business Days, unless the Purchaser decides, for justifiable reasons, to provide the debriefing outside this timeframe. In that case, the standstill period shall automatically be extended until five (5) Business Days after such debriefing is provided. If more than one debriefing is so delayed, the standstill period shall not end earlier than five (5) Business Days after the last debriefing takes place. The Purchaser shall promptly inform, by the quickest means available, all Bidders of the extended standstill period.

46.3 Where a request for debriefing is received by the Purchaser later

than the three (3)-Business Day deadline, the Purchaser should provide the debriefing as soon as practicable, and normally no later than fifteen (15) Business Days from the date of publication of Public Notice of Award of contract. Requests for debriefing received outside the three (3)-day deadline shall not lead to extension of the standstill period.

46.4 Debriefings of unsuccessful Bidders may be done in writing or verbally. The Bidder shall bear their own costs of attending such a debriefing meeting.

47. Signing of Contract

47.1 The Purchaser shall send to the successful Bidder the Letter of Acceptance including the Contract Agreement, and, if specified in the BDS, a request to submit the Beneficial Ownership Disclosure Form providing additional information on its beneficial ownership. The Beneficial Ownership Disclosure Form, if so requested, shall be submitted within eight (8) Business Days of receiving this request.

47.2 The successful Bidder shall sign, date and return to the Purchaser, the Contract Agreement within twenty-eight (28) days of its receipt.

47.3 Notwithstanding ITB 47.2 above, in case signing of the Contract Agreement is prevented by any export restrictions attributable to the Purchaser, to the country of the Purchaser, or to the use of the Information System to be supplied, where such export restrictions arise from trade regulations from a country supplying those Information System, the Bidder shall not be bound by its Bid, always provided, however, that the Bidder can demonstrate to the satisfaction of the Purchaser and of the Bank that signing of the Contract Agreement has not been prevented by any lack of diligence on the part of the Bidder in completing any formalities, including applying for permits, authorizations and licenses necessary for the export of the Information System under the terms of the Contract.

- 48. Performance Security**
- 48.1 Within twenty-eight (28) days of the receipt of the Letter of Acceptance from the Purchaser, the successful Bidder shall furnish the performance security in accordance with the General Conditions, subject to ITB 38.2 (b), using for that purpose the Performance Security Form included in Section X, Contract Forms, or another form acceptable to the Purchaser. If the Performance Security furnished by the successful Bidder is in the form of a bond, it shall be issued by a bonding or insurance company that has been determined by the successful Bidder to be acceptable to the Purchaser. A foreign institution providing a Performance Security shall have a correspondent financial institution located in the Purchaser’s Country.
- 48.2 Failure of the successful Bidder to submit the above-mentioned Performance Security or sign the Contract shall constitute sufficient grounds for the annulment of the award and forfeiture of the Bid Security. In that event the Purchaser may award the Contract to the Bidder offering the next Most Advantageous Bid.
- 49. Adjudicator**
- 49.1 Unless **the BDS** states otherwise, the Purchaser proposes that the person named **in the BDS** be appointed as Adjudicator under the Contract to assume the role of informal Contract dispute mediator, as described in GCC Clause 43.1. In this case, a résumé of the named person is attached to the BDS. The proposed hourly fee for the Adjudicator is specified in the BDS. The expenses that would be considered reimbursable to the Adjudicator are also specified **in the BDS**. If a Bidder does not accept the Adjudicator proposed by the Purchaser, it should state its non-acceptance in its Bid Form and make a counterproposal of an Adjudicator and an hourly fee, attaching a résumé of the alternative. If the successful Bidder and the Adjudicator nominated **in the BDS** happen to be from the same country, and this is not the country of the Purchaser too, the Purchaser reserves the right to cancel the Adjudicator nominated **in the BDS** and propose a new one. If by the day the Contract is signed, the Purchaser and the successful Bidder have not agreed on the appointment of the Adjudicator, the Adjudicator shall be appointed, at the request of either party, by the Appointing Authority specified in the SCC clause relating to GCC Clause 43.1.4, or if no Appointing Authority is specified there, the Contract will be implemented without an Adjudicator.
- 50. Procurement Related Complaint**
- 50.1 The procedures for making a Procurement-related Complaint are as specified in the BDS.

SECTION II - BID DATA SHEET (BDS)

The following specific data for the Information System to be procured shall complement, supplement, or amend the provisions in the Instructions to Bidders (ITB). Whenever there is a conflict, the provisions herein shall prevail over those in ITB.

ITB Reference	A. General
ITB 1.1	<p>The reference number of the Request for Bids is : AF-G9</p> <p>The Purchaser is: Bangladesh Computer Council (BCC) represented by Project Director, Leveraging ICT for Growth, Employment & Governance Project</p> <p>The name of the RFB is Supply, Installation and Commissioning of Hyper Converged Infrastructure in National Data Center</p> <p>The number and identification of lots (contracts) comprising this RFB is: One</p>
ITB 2.1	<p>The Borrower is: The People’s Republic of Bangladesh</p> <p>Loan or Financing Agreement amount: US\$ 39 million (Additional Financing)</p> <p>The name of the Project is: Leveraging ICT for Growth, Employment & Governance Project.</p>
ITB 4.1	Maximum number of members in the JV shall be three (3) .
ITB 4.5	A list of debarred firms and individuals is available on the Bank’s external website: http://www.worldbank.org/debarr .
B. Bidding Document	
ITB 7.1	<p>For <u>Clarification of Bid purposes</u> only, the Purchaser’s address is:</p> <p>Attention: <i>Md. Rezaul Karim ndc, Project Director</i></p> <p>Address: 2nd Floor , Bangladesh Computer Council (BCC), ICT Tower (Old BCC Bhaban), Plot # E-14/X, Agargaon, Sher-e-Bangla Nagar, Dhaka – 1207, Bangladesh Floor/ Room number:</p> <p>Telephone: : +88-02-8181381</p> <p>Facsimile number: +88-02-8181383</p> <p>Electronic mail address: pd.lict@bcc.gov.bd</p> <p>Requests for clarification should be received by the Purchaser no later than: 21 days from the date of publication of the Request for Bids.</p>

ITB 7.1	Not applicable.
ITB 7.4	<p>A Pre-Bid meeting <i>shall</i> take place at the following date, time and place:</p> <p>Date: 09 October 2018</p> <p>Time: 11.00 am BST (Local Time)</p> <p>Place: Leveraging ICT for Growth, Employment and Governance Project, Bangladesh Computer Council (BCC), Agargaon, Dhaka-1207, Bangladesh</p> <p>A site visit conducted by the Purchaser shall not be organized.</p>
C. Preparation of Bids	
ITB 10.1	<p>The language of the Bid is: English.</p> <p>All correspondence exchange shall be in English language.</p> <p>Language for translation of supporting documents and printed literature is English.</p>
ITB 11.1 (k)	<p>The Bidder shall submit with its Bid the following additional documents:</p> <p>A. Certificate of Incorporation and Trade License;</p> <p>B. Work Order and Work Completion Certificate mentioning contract value, time, work summary, purchaser's detailed contact information etc.;</p> <p>C. Declaration confirming that all hardware, software, tool, systems would be in the name of purchaser "Bangladesh Computer Council" during sourcing and supply. Bidder must follow the authorized OEM's channel for the end purchaser's territory to ensure originality of the supplied products and future support services and warranty/replacement;</p> <p>D. Audited Balance Sheet and Income Statement;</p> <p>E. Bank Certificate mentioning undrawn balance in case of credit line which shall be made available to the Bidder, as applicable;</p> <p>F. Details of work experience; and</p> <p>G. CVs of Team members.</p>
ITB 13.1	Alternative Bids are not permitted.
ITB 13.2	Alternatives to the Time Schedule are not permitted.
ITB 13.4	Alternative technical solutions shall be permitted for the following parts of the Information System: Not applicable.
ITB 15.2	Prequalification has not been undertaken.
ITB 16.2 (a)	In addition to the topics described in ITB Clause 16.2 (a), the Preliminary Project

	<p>Plan must address the following topics:</p> <p>(i) Project Organization and Management Sub-Plan, including management authorities, responsibilities, and contacts, as well as task, time and resource-bound schedules (in GANTT format);</p> <p>(ii) Implementation Sub-Plan;</p> <p>(iii) Training Sub-Plan;</p> <p>(iv) Testing and Quality Assurance Sub-Plan;</p> <p>(v) Warranty Defect Repair and Technical Support Service Sub-Plan</p>
ITB 16.3	<p>In the interest of effective integration, cost-effective technical support, and reduced re-training and staffing costs, Bidders are required to offer specific brand names and models for the following limited number of specific items: None.</p>
ITB 17.2	<p>The Bidder “must not” bid Recurrent Cost Items.</p>
ITB 17.2	<p>The Bidder must not bid for contracts of Recurrent Cost Items not included in the main Contract.</p>
ITB 17.5	<p>The Incoterms edition is: Inco terms 2010 — ICC Official Rules for the Interpretation of Trade Terms” published by the International Chamber of Commerce, 38 Courts Albert 1er, 75008 Paris, France.</p>
ITB 17.5 (a)	<p>Named place of destination (CIP) is: Project Office as mentioned below-</p> <p>Leveraging ICT for Growth, Employment & Governance Project Bangladesh Computer Council (BCC), 3rd Floor, ICT Tower (Old BCC Bhaban), Plot # E-14/X, Agargaon, Sher-e-Bangla Nagar, Dhaka – 1207, Bangladesh.</p> <p>Customs duties and Value Added Taxes (CD-VAT) of the imported Goods under the Contract (incurred at the port of entry) will be paid by the Purchaser. However, customs formalities including appointment of, and payment to, Clearing and Forwarding (C&F) Agent shall be done by the Supplier. Port dues and all other charges shall be borne by the Supplier.</p> <p>The Supplier shall send the CD-VAT Assessment Report (Assessment Notice) of Customs Authorities to the Purchaser. The Purchaser will pay the assessed amount (CD -VAT) to the Government within 2 (two) weeks from received of assessment report.</p> <p>The Supplier shall submit the supporting documents including appointment of, and payment to, Clearing and Forwarding (C&F) Agent and the Purchaser will reimburse the same, within 30 days.</p>
ITB 17.6	<p>Named place of final destination (or Project site) is: Information System (IS) will be installed in the below address:</p> <p>Leveraging ICT for Growth, Employment & Governance Project</p>

	Bangladesh Computer Council (BCC), 2 nd Floor, ICT Tower (Old BCC Bhaban), Plot # E-14/X, Agargaon, Sher-e-Bangla Nagar, Dhaka – 1207, Bangladesh.
ITB 17.8	There is no addition in ITB 17.8.
ITB 17.9	The prices quoted by the Bidder <i>shall not</i> be subject to adjustment during the performance of the Contract.
ITB 18.1	The Bidder is required to quote in the currency of the Purchaser's Country (Bangladesh Taka BDT) the portion of the Bid price that corresponds to expenditures incurred in that currency.
ITB 19.1	The Bid validity period shall be 120 (one hundred twenty) days.
ITB 19.3 (a)	The Bid price shall be adjusted by the following factor(s): N/A
ITB 20.1	A <i>Bid Security shall be</i> required. A Bid-Securing Declaration <i>shall not be</i> required. The amount and currency of the Bid Security shall be United States Dollar (US\$) 47,500.00 (US\$ Forty seven thousand five hundred only) or BDT 3,990,000.00 (BDT Three million nine hundred ninety thousand only) or an equivalent amount in a freely convertible currency.
ITB 20.3 (d)	Other types of acceptable securities: a) Bid Security shall be in the form of an unconditional guarantee issued from a reputable Bank and from an eligible country. b) Bid security shall be submitted using the Bid Security Form included in Section IV.
ITB 20.10	Not Applicable.
ITB 21.1	In addition to the original of the Bid, the number of copies is: Original plus two (2) copies. In addition, one soft copy of the bid in MS-Word document must be submitted in CD/DVD in a sealed envelope. In case of any discrepancy in between the paper based bid and the soft copy of the bid, the paper based bid shall prevail.
ITB 21.3	The written confirmation of authorization to sign on behalf of the Bidder shall consist of: a. The name and description of the documentation required to demonstrate the authority of the signatory to sign the Bid such as a Power of Attorney.

D. Submission and Opening of Bids	
ITB 23.1	<p>For <u>Bid submission purposes</u> only, the Purchaser's address is: Place: Office of the Project Director Leveraging ICT for Growth, Employment and Governance Project Bangladesh Computer Council (BCC) ICT Tower (2nd Floor), Agargaon, Dhaka-1207, Bangladesh.</p> <hr/> <p>The deadline for Bid submission is: Date: 30 October 2018 Time: 15:00 Hours BST (GMT+6 hours)</p>
ITB 23.1	Bidders <i>shall not</i> have the option of submitting their Bids electronically.
ITB 26.1	<p>The Bid opening shall take place at: Place: Office of the Project Director Leveraging ICT for Growth, Employment and Governance Project Bangladesh Computer Council (BCC) ICT Tower (2nd Floor), Agargaon, Dhaka-1207, Bangladesh.</p> <hr/> <p>The opening date and time is: Date: 30 October 2018 Time: 15:30 Hours BST (GMT+6 hours)</p>
ITB 26.1	The electronic Bid opening procedures shall be: Not applicable.
ITB 26.6	<p>The Letter of Bid and Price Schedules shall be initialed by 3 (three) representatives of the Purchaser conducting Bid opening.</p> <p>Each Bid shall be initialed by all representatives and shall be numbered, any modification to the unit or total price shall be initialed by the Representative of the Purchaser, etc.</p>
E. Evaluation, and Comparison of Bids	
ITB 31.3	The adjustment shall be based on the <i>highest</i> price of the item or component as quoted in other substantially responsive Bids. If the price of the item or component cannot be derived from the price of other substantially responsive Bids, the Purchaser shall use its best estimate.
ITB 33.1	<p>The currency (ies) of the Bid shall be converted into a single currency as follows: Bangladesh Taka (BDT).</p> <p>The currency that shall be used for Bid evaluation and comparison purposes to convert all Bid prices expressed in various currencies into a single currency is: Bangladesh Taka (BDT).</p>

	<p>The source of exchange rate shall be: Bangladesh Bank, Dhaka, and the latest selling rate available on the date mentioned below in the web site http://www.bangladesh-bank.org/ shall be used.</p> <p>The date for the exchange rate shall be: Fourteen (14) days prior to the date of bid submission.</p>
ITB 35.4	The Purchaser's evaluation of responsive Bids will not take into account technical factors, in addition to cost factors as specified in Section III, Bid Evaluation and Qualification Criteria.
ITB 35.4	<p>Discount Rate (I) for net present value calculations of recurrent costs is not applicable.</p> <p>The bid evaluation will not take into account technical factors in addition to cost factors.</p>
ITB 35.8	<p>Bids for Subsystems, lots, or slices of the overall Information System will not be accepted.</p> <p>Discount that are conditional on the award of more than one Subsystem, lot, or slice may be offered in Bids and such discounts shall not be considered in the price evaluation.</p>
ITB 39.3	Not Applicable.
F. AWARD OF CONTRACT	
ITB 43	The award will not be made on the basis of <i>rated criteria</i> pursuant to ITB 35.7, if applicable, in accordance with Section III, Evaluation and Qualification Criteria.
ITB 44	<p>The maximum percentage by which quantities may be increased is: 20%</p> <p>The maximum percentage by which quantities may be decreased is: 20%</p> <p>The items for which the Purchaser may increase or decrease the quantities are the following.</p> <p>All Items.</p>
ITB 47.1	The successful Bidder shall submit the Beneficial Ownership Disclosure Form.
ITB 49	<p>The proposed Adjudicator is Prof. Md. Mostofa Akbar, Dept. of CSE, BUET, Dhaka 1000, Bangladesh. The hourly fee for this proposed Adjudicator shall be BDT 3,000.00. The reimbursable expenses are travel, lodging, food, etc. The biographical data of the proposed Adjudicator is as follows</p> <p>Professor Prof. Md. Mostofa Akbar</p> <p>Department of Computer Science and Engineering</p>

	<p>Bangladesh University of Engineering and Technology Dhaka 1000, Bangladesh.</p> <p>Academic Background: Ph.D., 2002, University of Victoria, Canada M.Sc. in Computer Science and Engineering, 1998, BUET B.Sc. in Computer Science and Engineering, 1996, BUET.</p>
<p>ITB 50.1</p>	<p>The procedures for making a Procurement-related Complaint are detailed in the “Procurement Regulations for IPF Borrowers (Annex III).” If a Bidder wishes to make a Procurement-related Complaint, the Bidder should submit its complaint following these procedures, in writing (by the quickest means available, that is either by email or fax), to:</p> <p>For the attention: Md. Rezaul Karim ndc</p> <p>Title/position: Project Director, Leveraging ICT for Growth, Employment and Governance Project</p> <p>Purchaser: Bangladesh Computer Council (BCC)</p> <p>Address: 2nd Floor , Bangladesh Computer Council (BCC), ICT Tower (Old BCC Bhaban), Plot # E-14/X, Agargaon, Sher-e-Bangla Nagar, Dhaka – 1207, Bangladesh Floor/ Room number:</p> <p>Email address: pd.lict@bcc.gov.bd</p> <p>Fax number: +88-02-8181383</p> <p>In summary, a Procurement-related Complaint may challenge any of the following:</p> <ol style="list-style-type: none"> 1. the terms of the Bidding Documents; and 2. the Purchaser’s decision to award the contract.

**SECTION III - EVALUATION AND QUALIFICATION
CRITERIA**

UNOFFICIAL COPY

1. Combined Evaluation (Not applicable)

The Purchaser will evaluate and compare the Bids that have been determined to be substantially responsive, pursuant to ITB 30.

If indicated by the BDS, the Purchaser's evaluation of responsive Bids will take into account technical factors, in addition to cost factors.

In such a case, an Evaluated Bid Score (B) will be calculated for each responsive Bid using the following formula, which permits a comprehensive assessment of the Bid price and the technical merits of each Bid:

$$B \equiv \frac{C_{low}}{C} X + \frac{T}{T_{high}} (1 - X)$$

where

C = Evaluated Bid Price

C_{low} = the lowest of all Evaluated Bid Prices among responsive Bids

T = the total Technical Score awarded to the Bid

T_{high} = the Technical Score achieved by the Bid that was scored best among all responsive Bids

X = weight for the Price as specified in the BDS

The Bid with the best evaluated Bid Score (B) among responsive Bids shall be the Most Advantageous Bid provided the Bidder was prequalified and/or it was found to be qualified to perform the Contract in accordance with ITB 39.

2. Technical Evaluation (ITB 35.3 and ITB 35.4) (Not Applicable)

If, in addition to the cost factors, the Purchaser has chosen to give weight to important technical factors (i.e., the price weight, X, is less than 1 in the evaluation), the Total Technical Points assigned to each Bid in the Evaluated Bid Formula will be determined by adding and weighting the scores assigned by an evaluation committee to technical features of the Bid in accordance with the criteria set forth below.

(a) The technical features to be evaluated are generally defined below and specifically identified in the BDS:

(i) Performance, capacity, or functionality features that either exceed levels specified as mandatory in the Technical Requirements; and/or influence the life-cycle cost and effectiveness of the Information System.

(ii) Usability features, such as ease of use, ease of administration, or ease of expansion, which influence the life-cycle cost and effectiveness of the Information System.

(iii) The quality of the Bidder's Preliminary Project Plan as evidenced by the thoroughness, reasonableness, and responsiveness of: (a) the task and resource

schedules, both general and specific, and (b) the proposed arrangements for management and coordination, training, quality assurance, technical support, logistics, problem resolution, and transfer of knowledge, and other such activities as specified by the Purchaser in Section VII, Technical Requirements or proposed by the Bidder based on the Bidder’s experience.

- (iv) Any sustainable procurement requirement if specified in Section VII- Requirements of the Information System.
- (b) Feature scores will be grouped into a small number of evaluation categories, generally defined below and specifically identified in the BDS, namely:
 - (i) The technical features that reflect how well the Information System meets the Purchaser’s Business Requirements (including quality assurance and risk-containment measures associated with the implementation of the Information System).
 - (ii) The technical features that reflect how well the Information System meets the System’s Functional Performance Standards.
 - (iii) The technical features that reflect how well the Information System meets the General Technical Requirements for hardware, network and communications, Software, and Services.
- (c) As specified **in the BDS**, each category will be given a weight and within each category each feature may also be given a weight.
- (d) During the evaluation process, the evaluation committee will assign each desirable/preferred feature a whole number score from 0 to 4, where 0 means that the feature is absent, and 1 to 4 either represent predefined values for desirable features amenable to an objective way of rating (as is the case for, e.g., extra memory, or extra mass storage capacity, etc., if these extras would be conducive for the utility of the system), or if the feature represents a desirable functionality (e.g., of a software package) or a quality improving the prospects for a successful implementation (such as the strengths of the proposed project staff, the methodology, the elaboration of the project plan, etc., in the bid), the scoring will be 1 for the feature being present but showing deficiencies; 2 for meeting the requirements; 3 for marginally exceeding the requirements; and 4 for significantly exceeding the requirements.
- (e) The score for each feature (i) within a category (j) will be combined with the scores of features in the same category as a weighted sum to form the Category Technical Score using the following formula:

$$S_j \equiv \sum_{i=1}^k t_{ji} * w_{ji}$$

where:

t_{ji} = the technical score for feature “i” in category “j”

w_{ji} = the weight of feature “i” in category “j”

k = the number of scored features in category “j”

and $\sum_{i=1}^k w_{ji} = 1$

- (f) The Category Technical Scores will be combined in a weighted sum to form the total Technical Bid Score using the following formula:

$$T \equiv \sum_{j=1}^n S_j * W_j$$

where:

S_j = the Category Technical Score of category “j”

W_j = the weight of category “j” as specified in the BDS

n = the number of categories

and $\sum_{j=1}^n W_j = 1$

In addition to the criteria listed in ITB 35.3 (a) and (e), the following factors shall apply:

3. Economic Evaluation (Not Applicable)

The following factors and methods will apply:

(a) Time Schedule:

Time to complete the Information System from the effective date specified in Article 3 of the Contract Agreement for determining time for completion of pre-commissioning activities is: _____. No credit will be given for earlier completion.

or

Time to complete the Information System from the effective date specified in Article 3 of the Contract Agreement for determining time for completion of pre-commissioning activities shall be between _____ minimum and _____ maximum. The adjustment rate in the event of completion beyond the minimum period shall be _____ for each week of delay from that minimum period. No credit will be given for completion earlier than the minimum designated period. Bids offering a completion date beyond the maximum designated period shall be rejected.

(b) Recurrent Costs

Since the operation and maintenance of the system being procured form a major part of the implementation, the resulting recurrent costs will be evaluated according to the

principles given hereafter, including the cost of recurrent cost items for the initial period of operation stated below, based on prices furnished by each Bidder in Price Schedule Nos. 3.3 and 3.5.

Recurrent cost items for post- warranty service period if subject to evaluation shall be included in the main contract or a separate contract signed together with the main contract.

Such costs shall be added to the Bid price for evaluation.

Option 1: The recurrent costs factors for calculation of the implementation schedule are:

- (i) Number of years for implementation
- (ii) Hardware maintenance
- (iii) Software licenses and updates
- (iv) Technical services
- (v) Telecommunication services, and
- (vi) Other services (if any).

The Recurrent Costs (R) are reduced to net present value and determined using the following formula:

$$R \equiv \sum_{x=1}^{N+M} \frac{R_x}{(1+I)^x}$$

where

N = number of years of the Warranty Period, defined in SCC Clause 29.4

M = number of years of the Post-Warranty Services Period, as defined in SCC Clause 1.1.(e) (xii)

x = an index number 1, 2, 3, ... $N + M$ representing each year of the combined Warranty Service and Post-Warranty Service Periods.

R_x = total Recurrent Costs for year “ x ,” as recorded in the Recurrent Cost Sub-Table.

I = discount rate to be used for the Net Present Value calculation, as **specified in the BDS 35.3.**

Or Option 2:

Reference to the methodology specified in the Specification or elsewhere in the bidding document.

(c) Specific additional criteria

The relevant evaluation method, if any, shall be as follows:

4. Technical alternatives (Not Applicable)

If invited in accordance with ITB 13.4, will be evaluated as follows:

.....
.....

UNOFFICIAL COPY

2. Qualification

Factor	2.1 ELIGIBILITY					
Sub-Factor	Criteria					Documentation Required
	Requirement	Single Entity	Bidder			
			Joint Venture (existing or intended)			
			All members combined	Each member	At least one member	
2.1.1 Nationality	Nationality in accordance with ITB 4.4.	Must meet requirement	Must meet requirement	Must meet requirement	N / A	Form ELI –2.1.1 and 2.1.2, with attachments
2.1.2 Conflict of Interest	No- conflicts of interests as described in ITB 4.2.	Must meet requirement	Must meet requirement	Must meet requirement	N / A	Letter of Bid
2.1.3 Bank Ineligibility	Not having been declared ineligible by the Bank as described in ITB 4.5.	Must meet requirement	Must meet requirement	Must meet requirement	N / A	Letter of Bid
2.1.4 State owned Entity of the Borrower country	Compliance with conditions of ITB 4.6	Must meet requirement	Must meet requirement	Must meet requirement	N / A	Form ELI –2.1.1 and 2.1.2, with attachments

Factor	2.1 ELIGIBILITY					
Sub-Factor	Criteria					Documentation Required
	Requirement	Bidder				
		Single Entity	Joint Venture (existing or intended)			
				All members combined	Each member	At least one member
2.1.5 <u>United Nations resolution or Borrower’s country law</u>	Not having been excluded as a result of prohibition in the Borrower’s country laws or official regulations against commercial relations with the Bidder’s country, or by an act of compliance with UN Security Council resolution, both in accordance with ITB 4.8	Must meet requirement	Must meet requirement	Must meet requirement	N / A	Letter of Bid

Factor	2.2 HISTORICAL CONTRACT NON-PERFORMANCE					
Sub-Factor	Criteria					Documentation Required
	Requirement	Bidder				
		Single Entity	Joint Venture (existing or intended)			
All members combined			Each member	At least one member		
1.						
2.2.1 History of non-performing contracts	Non-performance of a contract ¹ did not occur as a result of Bidder’s default since 1 st January 2013.	Must meet requirement by itself or as member to past or existing JV	N / A	Must meet requirement ²	N / A	Form CON - 2
2.2.2 Suspension	Not under suspension based on execution of a Bid Securing Declaration or Proposal Securing Declaration pursuant to ITB 4.7 and ITB 20.10	Must meet requirement	N / A	Must meet requirement	N / A	Letter of Bid

¹ Nonperformance, as decided by the Purchaser, shall include all contracts where (a) nonperformance was not challenged by the contractor, including through referral to the dispute resolution mechanism under the respective contract, and (b) contracts that were so challenged but fully settled against the contractor. Nonperformance shall not include contracts where Purchaser decision was overruled by the dispute resolution mechanism. Nonperformance must be based on all information on fully settled disputes or litigation, i.e. dispute or litigation that has been resolved in accordance with the dispute resolution mechanism under the respective contract and where all appeal instances available to the applicant have been exhausted.

² This requirement also applies to contracts executed by the Applicant as JV member.

2.2.3 Pending Litigation	Bidder’s financial position and prospective long term profitability still sound according to criteria established in 2.3.1 below and assuming that all pending litigation will be resolved against the Bidder.	Must meet requirement by itself or as member to past or existing JV	N / A	Must meet requirement	N / A	Form CON – 2
--------------------------	--	---	-------	-----------------------	-------	--------------

Factor	2.3 FINANCIAL SITUATION					
Sub-Factor	Criteria					Documentation Required
	Requirement	Bidder				
		Single Entity	Joint Venture (existing or intended)			
			All members combined	Each member	At least one member	
2.3.1 Historical Financial Performance	Submission of audited balance sheets for the last three (3) years to demonstrate the current soundness of the Bidders financial position and its prospective long term profitability.	Must meet requirement	N / A	Must meet requirement	N / A	Form FIN – 2.3.1 with attachments
2.3.2 Average Annual Turnover	Minimum average annual turnover of US\$ 04 million or equivalent amount, calculated as total certified payments received for contracts in progress or completed, within the last three (3) years	Must meet requirement	100%	Must meet 25% of the requirement	Must meet 40% of the requirement	Form FIN –2.3.2

Factor	2.3 FINANCIAL SITUATION					
Sub-Factor	Criteria				Documentation Required	
	Requirement	Bidder				
		Single Entity	Joint Venture (existing or intended)			
All members combined			Each member	At least one member		
2.3.3 Financial Resources	The Bidder must demonstrate access to, or availability of, financial resources such as liquid assets, lines of credit, other than any contractual advance payments to meet the following cash-flow requirement: minimum US\$ 2 million or equivalent amount.	Must meet requirement	100%	Must meet 25% of the requirement	Must meet 40% of the requirement	Form FIN –2.3.3

Factor	2.4 EXPERIENCE					
Sub-Factor	Criteria				Documentation Required	
	Requirement	Bidder				
		Single Entity	Joint Venture (existing or intended)			
2.4.1 General Experience	Experience of Supply and Installation of Information System contracts in the role of prime supplier, management contractor, JV member, for at least the last five [5] years prior to the applications submission deadline.		Must meet requirement	N / A	Must meet requirement	N / A
2.4.2 Specific Experience	Participation as a prime supplier, management contractor, JV ³ member, in at least one (01) contract within the last five (5) years, with a value of at least US\$ 2 million or equivalent amount , that have been successfully and substantially completed and that are similar to the proposed Information System. The contract will be treated as similar, which includes establishment of Hyper Converged Infrastructure, with similar type of installation as described in Section VII, Purchaser’s Requirements.	Must meet requirement	N / A	N / A	Must meet requirement	Form EXP 2.4.2

³ For contracts under which the Bidder participated as a joint venture member, only the Bidder’s share, by value, and role and responsibilities shall be considered to meet this requirement.

2.5 Personnel

The Bidder must demonstrate that it will have the personnel for the key positions that meet the following requirements:

No.	Position	Qualification and Experience
1	Team leader (1 person)	At least bachelor's degree with minimum 10 years' experience of working in a leadership role in designing and deploying country level information system and minimum 3 years' experience of deploying Hyper Converged Infrastructure Solutions.
2	Project governance and management specialist (1 person)	At least bachelor's degree with minimum 10 years' experience in management of information systems projects. The incumbent must have PMP or Prince2 or alternative project management certificates.
3	Expert in Hyper Converged Infrastructure (1 person)	At least bachelor's degree with minimum 3 years' experience in design and deployment of Hyper Converged Infrastructure Solutions.
4	Expert in Virtualization (1 person)	At least bachelor's degree with minimum 3 years' experience in information systems development and deployment and must demonstrated experience of at least three in the field virtualization.
5	Expert in Server and Networking (1 person)	At least bachelor's degree with minimum 3 years' experience in configuration, installation and deployment of servers and network equipments in large organizations.

The Bidder shall provide details of the proposed personnel and their experience records in the relevant Forms included in Section IV, Bidding Forms.

2.6 Subcontractor/vendor/Manufacturers

Subcontractor/vendor/Manufacturers for the following major items of supply or services must meet the following minimum criteria, herein listed for that item:

Item No.	Description of Item	Minimum Criteria to be met
1	Hyper Converged Infrastructure (HCI)	<ul style="list-style-type: none"> • Leaders quadrant of the FY18 Gartner Magic Quadrant for Hyper Converged Infrastructure (HCI) • Must be operating in the international market for minimum five (5) years. • The product should have been implemented by at least one (1) customer / organization
2	LEAF/ToR switch for HCI	<ul style="list-style-type: none"> • Must be operating in the international market for minimum five (5) years. • The product should have been implemented by at least one (1) customer / organization
3	SPINE switch for HCI	<ul style="list-style-type: none"> • Must be operating in the international market for minimum five (5) years. • The product should have been implemented by at least one (1) customer / organization
4	System to protect virtualized data	<ul style="list-style-type: none"> • Must be operating in the international market for minimum five (5) years. • The product should have been implemented by at least one (1) customer / organization

Failure to comply with this requirement will result in rejection of the subcontractor/vendor.

In the case of a Bidder who offers to supply and install major items of supply under the contract that the Bidder did not manufacture or otherwise produce, the Bidder shall provide the **Manufacturer's Authorizations from the Manufacturer's Official Channel for the end user's territory (i.e. Bangladesh)**, using the form provided in Section IV, showing that the Bidder has been duly authorized by the manufacturer or producer of the related sub system or component to supply and install that item in the Purchaser's Country. The Bidder is responsible for ensuring that the manufacturer or producer complies with the requirements of ITB 4 and 5 and meets the minimum criteria listed above for that item.

SECTION IV - BIDDING FORMS

Table of Forms

Letter of Bid	63
Historical Contract Non-Performance and Pending Litigation	73
Experience - General Experience	74
Specific Experience	76
Financial Situation	79
Historical Financial Performance	79
Average Annual Turnover	80
Financial Resources	81
Form of Bid Security (Bid Bond)	98
Form of Bid-Securing Declaration	99

Letter of Bid

INSTRUCTIONS TO BIDDERS: DELETE THIS BOX ONCE YOU HAVE COMPLETED THE DOCUMENT

The Bidder must prepare this Letter of Bid on stationery with its letterhead clearly showing the Bidder's complete name and business address.

Note: All italicized text is to help Bidders in preparing this form.

Date of this Bid submission: *[insert date (as day, month and year) of Bid submission]*

RFB No.: *[insert number of RFB process]*

Alternative No.: *[insert identification No if this is a Bid for an alternative]*

To: *[insert complete name of Purchaser]*

- (a) **No reservations:** We have examined and have no reservations to the bidding document, including Addenda issued in accordance with Instructions to Bidders (ITB 8);
- (b) **Eligibility:** We meet the eligibility requirements and have no conflict of interest in accordance with ITB 4;
- (c) **Bid-Securing Declaration:** We have not been suspended nor declared ineligible by the Purchaser based on execution of a Bid-Securing Declaration or Proposal-Securing Declaration in the Purchaser's Country in accordance with ITB 4.7;
- (d) **Conformity:** We offer to provide design, supply and installation services in conformity with the bidding document of the following: *[insert a brief description of the IS Design, Supply and Installation Services]*;
- (e) **Bid Price:** The total price of our Bid, excluding any discounts offered in item (f) below is:

Total price is: *[insert the total price of the Bid in words and figures, indicating the various amounts and the respective currencies]*;

- (f) **Discounts:** The discounts offered and the methodology for their application are:
 - (i) The discounts offered are: *[Specify in detail each discount offered.]*
 - (ii) The exact method of calculations to determine the net price after application of discounts is shown below: *[Specify in detail the method that shall be used to apply the discounts]*;
- (g) **Bid Validity Period:** Our Bid shall be valid for the period specified in BDS ITB 19.1 (as amended if applicable) from the date fixed for the Bid submission

deadline (specified in BDS ITB 23.1 (as amended if applicable), and it shall remain binding upon us and may be accepted at any time before the expiration of that period;

- (h) **Performance Security:** If our Bid is accepted, we commit to obtain a Performance Security in accordance with the bidding document;
- (i) **One Bid Per Bidder:** We are not submitting any other Bid(s) as an individual Bidder, and we are not participating in any other Bid(s) as a Joint Venture member, and meet the requirements of ITB 4.3, other than alternative Bids submitted in accordance with ITB 13;
- (j) **Suspension and Debarment:** We, along with any of our subcontractors, suppliers, consultants, manufacturers, or service providers for any part of the contract, are not subject to, and not controlled by any entity or individual that is subject to, a temporary suspension or a debarment imposed by the World Bank Group or a debarment imposed by the World Bank Group in accordance with the Agreement for Mutual Enforcement of Debarment Decisions between the World Bank and other development banks. Further, we are not ineligible under the Purchaser’s Country laws or official regulations or pursuant to a decision of the United Nations Security Council;
- (k) **State-owned enterprise or institution:** *[select the appropriate option and delete the other] [We are not a state-owned enterprise or institution] / [We are a state-owned enterprise or institution but meet the requirements of ITB 4.6];*
- (l) **Commissions, gratuities and fees:** We have paid, or will pay the following commissions, gratuities, or fees with respect to the Bidding process or execution of the Contract: *[insert complete name of each Recipient, its full address, the reason for which each commission or gratuity was paid and the amount and currency of each such commission or gratuity]*

Name of Recipient	Address	Reason	Amount

(If none has been paid or is to be paid, indicate “none.”)

- (m) **Binding Contract:** We understand that this Bid, together with your written acceptance thereof included in your Letter of Acceptance, shall constitute a binding contract between us, until a formal contract is prepared and executed;
- (n) **Not Bound to Accept:** We understand that you are not bound to accept the lowest evaluated cost Bid, the Most Advantageous Bid or any other Bid that you may receive; and

- (o) **Fraud and Corruption:** We hereby certify that we have taken steps to ensure that no person acting for us or on our behalf engages in any type of Fraud and Corruption.

Name of the Bidder: *[insert complete name of person signing the Bid]

Name of the person duly authorized to sign the Bid on behalf of the Bidder: **[insert complete name of person duly authorized to sign the Bid]

Title of the person signing the Bid: [insert complete title of the person signing the Bid]

Signature of the person named above: [insert signature of person whose name and capacity are shown above]

Date signed [insert date of signing] **day of** [insert month], [insert year]

3. PRICE SCHEDULE FORMS

Notes to Bidders on working with the Price Schedules

General

1. The Price Schedules are divided into separate Schedules as follows:
 - 3.1 Grand Summary Cost Table
 - 3.2 Supply and Installation Cost Summary Table
 - 3.3 Supply and Installation Cost Sub-Table(s)
 - 3.4 Country of Origin Code Table
2. The Schedules do not generally give a full description of the information technologies to be supplied, installed, and operationally accepted, or the Services to be performed under each item. However, it is assumed that Bidders shall have read the Technical Requirements and other sections of these bidding documents to ascertain the full scope of the requirements associated with each item prior to filling in the rates and prices. The quoted rates and prices shall be deemed to cover the full scope of these Technical Requirements, as well as overhead and profit.
3. If Bidders are unclear or uncertain as to the scope of any item, they shall seek clarification in accordance with the Instructions to Bidders in the bidding documents prior to submitting their bid.

Pricing

4. Prices shall be filled in indelible ink, and any alterations necessary due to errors, etc., shall be initialed by the Bidder. As specified in the Bid Data Sheet, prices shall be fixed and firm for the duration of the Contract.
5. Bid prices shall be quoted in the manner indicated and in the currencies specified in ITB 18.1 and ITB 18.2. Prices must correspond to items of the scope and quality defined in the Technical Requirements or elsewhere in these bidding documents.
6. The Bidder must exercise great care in preparing its calculations, since there is no opportunity to correct errors once the deadline for submission of bids has passed. A single error in specifying a unit price can therefore change a Bidder's overall total bid price substantially, make the bid noncompetitive, or subject the Bidder to possible loss. The Purchaser will correct any arithmetic error in accordance with the provisions of ITB 32.
7. Payments will be made to the Supplier in the currency or currencies indicated under each respective item. As specified in ITB 18.2, no more than three foreign currencies may be used.

3.1 Grand Summary Cost Table

		<i>[insert: Local Currency] Price</i>	<i>[insert: Foreign Currency A] Price</i>	<i>[insert: Foreign Currency B] Price</i>	<i>[insert: Foreign Currency C] Price</i>
1.	Supply and Installation Costs (from Supply and Installation Cost Summary Table)				
4.	Grand Totals (to Bid Submission Form)				

Name of Bidder:	
Authorized Signature of Bidder:	

3.2 Supply and Installation Cost Summary Table

Costs MUST reflect prices and rates quoted in accordance with ITB 17 and 18.

Line Item No.	Subsystem / Item	Supply and Installation Cost Sub-Table No.	Supply & Installation Prices				
			Locally supplied items	Items supplied from outside the Purchaser's Country			
			[insert: Local Currency] Price	[insert: Local Currency] Price	[insert: Foreign Currency A] Price	[insert: Foreign Currency B] Price	[insert: Foreign Currency C] Price
0	Project Plan	--	--	--	--	--	--
1	Subsystem 1	1					
SUBTOTALS							
TOTAL (To Grand Summary Table)							

Note: -- indicates not applicable. -- Indicates repetition of table entry above. Refer to the relevant Supply and Installation Cost Sub-Table for the specific components that constitute each Subsystem or line item in this summary table

Name of Bidder:	
Authorized Signature of Bidder:	

3.3 Supply and Installation Cost Sub-Table *[insert: identifying number]*

Line item number: *[specify: relevant line item number from the Supply and Installation Cost Summary Table (e.g., 1.1)]*

Prices, rates, and subtotals MUST be quoted in accordance with ITB 17 and ITB 18.

Component No.	Component Description	Country of Origin Code	Quantity	Unit Prices / Rates					Total Prices				
				Supplied Locally	Supplied from outside the Purchaser's Country			Supplied Locally	Supplied from outside the Purchaser's Country				
				<i>[insert: local currency]</i>	<i>[insert: local currency]</i>	<i>[insert: foreign currency A]</i>	<i>[insert: foreign currency B]</i>	<i>[insert: foreign currency C]</i>	<i>[insert: local currency]</i>	<i>[insert: local currency]</i>	<i>[insert: foreign currency A]</i>	<i>[insert: foreign currency B]</i>	<i>[insert: foreign currency C]</i>
X.1	---	--	--	--	--	--	--	--					
Subtotals (to <i>[insert: line item]</i> of Supply and Installation Cost Summary Table)													

Note: -- indicates not applicable.

Name of Bidder:	
Authorized Signature of Bidder:	

Form ELI 2.1.1 Bidder Information Form

*[The Bidder shall fill in this Form in accordance with the instructions indicated below.
No alterations to its format shall be permitted and no substitutions shall be accepted.]*

Date: *[insert date (as day, month and year) of Bid submission]*

RFB No.: *[insert number of Bidding process]*

Alternative No.: *[insert identification No if this is a Bid for an alternative]*

Page _____ of _____ pages

1. Bidder's Name <i>[insert Bidder's legal name]</i>
2. In case of JV, legal name of each member : <i>[insert legal name of each member in JV]</i>
3. Bidder's actual or intended country of registration: <i>[insert actual or intended country of registration]</i>
4. Bidder's year of registration: <i>[insert Bidder's year of registration]</i>
5. Bidder's Address in country of registration: <i>[insert Bidder's legal address in country of registration]</i>
6. Bidder's Authorized Representative Information Name: <i>[insert Authorized Representative's name]</i> Address: <i>[insert Authorized Representative's Address]</i> Telephone/Fax numbers: <i>[insert Authorized Representative's telephone/fax numbers]</i> Email Address: <i>[insert Authorized Representative's email address]</i>
7. Attached are copies of original documents of <i>[check the box(es) of the attached original documents]</i> <input type="checkbox"/> Articles of Incorporation (or equivalent documents of constitution or association), and/or documents of registration of the legal entity named above, in accordance with ITB 4.4. <input type="checkbox"/> In case of JV, letter of intent to form JV or JV agreement, in accordance with ITB 4.1. <input type="checkbox"/> In case of state-owned enterprise or institution, in accordance with ITB 4.6 documents establishing: <ul style="list-style-type: none">• Legal and financial autonomy• Operation under commercial law• Establishing that the Bidder is not under the supervision of the Purchaser
8. Included are the organizational chart, a list of Board of Directors, and the beneficial ownership. <i>[If required under BDS ITB 47.1, the successful Bidder shall provide additional information on beneficial ownership, using the Beneficial Ownership Disclosure Form.]</i>

Form ELI 2.1.2
Bidder’s JV Members Information Form

[The Bidder shall fill in this Form in accordance with the instructions indicated below. The following table shall be filled in for the Bidder and for each member of a Joint Venture].

Date: *[insert date (as day, month and year) of Bid submission]*
 RFB No.: *[insert number of Bidding process]*
 Alternative No.: *[insert identification No if this is a Bid for an alternative]*

Page _____ of _____ pages

1. Bidder’s Name: <i>[insert Bidder’s legal name]</i>
2. Bidder’s JV Member’s name: <i>[insert JV’s Member legal name]</i>
3. Bidder’s JV Member’s country of registration: <i>[insert JV’s Member country of registration]</i>
4. Bidder’s JV Member’s year of registration: <i>[insert JV’s Member year of registration]</i>
5. Bidder’s JV Member’s legal address in country of registration: <i>[insert JV’s Member legal address in country of registration]</i>
6. Bidder’s JV Member’s authorized representative information Name: <i>[insert name of JV’s Member authorized representative]</i> Address: <i>[insert address of JV’s Member authorized representative]</i> Telephone/Fax numbers: <i>[insert telephone/fax numbers of JV’s Member authorized representative]</i> Email Address: <i>[insert email address of JV’s Member authorized representative]</i>
7. Attached are copies of original documents of <i>[check the box(es) of the attached original documents]</i> <input type="checkbox"/> Articles of Incorporation (or equivalent documents of constitution or association), and/or registration documents of the legal entity named above, in accordance with ITB 4.4. <input type="checkbox"/> In case of a state-owned enterprise or institution, documents establishing legal and financial autonomy, operation in accordance with commercial law, and they are not under the supervision of the Purchaser in accordance with ITB 4.6.
8. Included are the organizational chart, a list of Board of Directors, and the beneficial ownership. <i>[If required under BDS ITB 47.1, the successful Bidder shall provide additional information on beneficial ownership for each JV member using the Beneficial Ownership Disclosure Form.]</i>

Form CON – 2

Historical Contract Non-Performance and Pending Litigation

In case a prequalification process was conducted this form should be used only if the information submitted at the time of prequalification requires updating

Bidder's Legal Name: _____ Date: _____

JV member Legal Name: _____

RFB No.: _____

Page _____ of _____ pages

Non-Performing Contracts in accordance with Section III, Evaluation and Qualification Criteria			
Contract non-performance did not occur during the stipulated period, in accordance with Sub- Factor 2.2.1 of Section III, Evaluation Criteria			
Pending Litigation, in accordance with Section III, Evaluation and Qualification Criteria			
No pending litigation in accordance with Sub-Factor 2.2.3 of Section III, Evaluation Criteria			
Pending litigation in accordance with Sub-Factor 2.2.3 of Section III, Evaluation Criteria, as indicated below			
Year	Outcome as Percent of Total Assets	Contract Identification	Total Contract Amount (current value, US\$ equivalent)
_____	_____	Contract Identification: Name of Purchaser: Address of Purchaser: Matter in dispute:	_____
_____	_____	Contract Identification: Name of Purchaser: Address of Purchaser: Matter in dispute:	_____

Form EXP 2.4.1

Experience - General Experience

Bidder's Legal Name: _____ Date: _____

JV Member Legal Name: _____ RFB No.: _____

Page _____ of _____ pages

Starting Month / Year	Ending Month / Year	Years *	Contract Identification	Role of Bidder
_____	_____		Contract name: Brief Description of the Information System performed by the Bidder: Name of Purchaser: Address:	_____
_____	_____		Contract name: Brief Description of the Information System performed by the Bidder: Name of Purchaser: Address:	_____
_____	_____		Contract name: Brief Description of the Information System performed by the Bidder: Name of Purchaser: Address:	_____
_____	_____		Contract name: Brief Description of the Information System performed by the Bidder: Name of Purchaser: Address:	_____

Starting Month / Year	Ending Month / Year	Years *	Contract Identification	Role of Bidder
_____	_____		Contract name: Brief Description of the Information System performed by the Bidder: Name of Purchaser: Address:	_____
_____	_____		Contract name: Brief Description of the Information System performed by the Bidder: Name of Purchaser: Address:	_____

*List calendar year for years with contracts with at least nine (9) months activity per year starting with the earliest year

UNOFFICIAL COPY

Form EXP – 2.4.2
Specific Experience

Bidder's Legal Name: _____ Date: _____
 JV Member Legal Name: _____ RFB No.: _____
 Page _____ of _____ pages

Similar Contract Number: ___ of ___ required.	Information		
Contract Identification	_____		
Award date	_____		
Completion date	_____		
Role in Contract	<input type="checkbox"/> Prime Supplier	<input type="checkbox"/> Management Contractor	
Total contract amount	_____		
If member in a JV or subcontractor, specify participation of total contract amount	_____ %	_____	
Purchaser's Name:	_____		
Address:	_____ _____		
Telephone/fax number:	_____		
E-mail:	_____		

Form EXP – 2.4.2 (cont.)
Specific Experience (cont.)

Bidder’s Legal Name: _____ Page _____ of _____ pages

JV Member Legal Name: _____

Similar Contract No. __[insert specific number] of [total number of contracts] __ required	Information
Description of the similarity in accordance with Sub-Factor 2.4.2 of Section III:	
Amount	_____
Physical size	_____
Complexity	_____
Methods/Technology	_____
Key Activities	_____

Form CCC

Summary Sheet: Current Contract Commitments / Work in Progress

Name of Bidder or partner of a Joint Venture

Bidders and each partner to an Joint Venture bid should provide information on their current commitments on all contracts that have been awarded, or for which a letter of intent or acceptance has been received, or for contracts approaching completion, but for which an unqualified, full completion certificate has yet to be issued.

Name of contract	Purchaser, contact address/tel./fax	Value of outstanding Information System (current US\$ equivalent)	Estimated completion date	Average monthly invoicing over last six months (US\$/month)
1.				
2.				
3.				
4.				
5.				
etc.				

Form FIN – 2.3.1

Financial Situation

Historical Financial Performance

Bidder’s Legal Name: _____ Date: _____

JV Member Legal Name: _____ RFB No.: _____

Page _____ of _____ pages

To be completed by the Bidder and, if JV, by each member

Financial information in US\$ equivalent	Historic information for previous _____ () years (US\$ equivalent in 000s)						
	Year 1	Year 2	Year 3	Year ...	Year n	Avg.	Avg. Ratio
Information from Balance Sheet							
Total Assets (TA)							
Total Liabilities (TL)							
Net Worth (NW)							
Current Assets (CA)							
Current Liabilities (CL)							
Information from Income Statement							
Total Revenue (TR)							
Profits Before Taxes (PBT)							

Attached are copies of financial statements (balance sheets, including all related notes, and income statements) for the years required above complying with the following conditions:

- (a) Must reflect the financial situation of the Bidder or member to a JV, and not sister or parent companies
- (b) Historic financial statements must be audited by a certified accountant
- (c) Historic financial statements must be complete, including all notes to the financial statements
- (d) Historic financial statements must correspond to accounting periods already completed and audited (no statements for partial periods shall be requested or accepted)

Form FIN – 2.3.2
Average Annual Turnover

Bidder’s Legal Name: _____ Date: _____

JV Member Legal Name: _____ RFB No.: _____

Page _____ of _____ pages

Annual turnover data		
Year	Amount and Currency	US\$ equivalent
	_____	_____
	_____	_____
	_____	_____
	_____	_____
	_____	_____
	_____	_____
	_____	_____
	_____	_____
*Average Annual Turnover	_____	_____

*Average annual turnover calculated as total certified payments received for work in progress or completed, divided by the number of years specified in Section III, Evaluation and Qualification Criteria, Sub-Factor 2.3.2.

Form FIN 2.3.3
Financial Resources

Specify proposed sources of financing, such as liquid assets, lines of credit, net of current commitments, available to meet the total cash flow demands of the subject contract or contracts as indicated in Section III, Evaluation and Qualification Criteria

Source of financing	Amount (US\$ equivalent)
1.	
2.	
3.	
4.	

UNOFFICIAL COPY

Personnel Capabilities

Key Personnel

Name of Bidder or partner of a Joint Venture

Bidders should provide the names and details of the suitably qualified Personnel to perform the Contract. The data on their experience should be supplied using the Form PER-2 below for each candidate.

Key Personnel

1.	Title of position: ...	
	Name of candidate:	
	Duration of appointment:	<i>[insert the whole period (start and end dates) for which this position will be engaged]</i>
	Time commitment: for this position:	<i>[insert the number of days/week/months/ that has been scheduled for this position]</i>
	Expected time schedule for this position:	<i>[insert the expected time schedule for this position (e.g. attach high level Gantt chart)]</i>
2.	Title of position: ...	
	Name of candidate:	
	Duration of appointment:	<i>[insert the whole period (start and end dates) for which this position will be engaged]</i>
	Time commitment: for this position:	<i>[insert the number of days/week/months/ that has been scheduled for this position]</i>
	Expected time schedule for this position:	<i>[insert the expected time schedule for this position (e.g. attach high level Gantt chart)]</i>
3.	Title of position: ...	
	Name of candidate:	

	Duration of appointment:	<i>[insert the whole period (start and end dates) for which this position will be engaged]</i>
	Time commitment: for this position:	<i>[insert the number of days/week/months/ that has been scheduled for this position]</i>
	Expected time schedule for this position:	<i>[insert the expected time schedule for this position (e.g. attach high level Gantt chart)]</i>
4.	Title of position:	
	Name of candidate	
	Duration of appointment:	<i>[insert the whole period (start and end dates) for which this position will be engaged]</i>
	Time commitment: for this position:	<i>[insert the number of days/week/months/ that has been scheduled for this position]</i>
	Expected time schedule for this position:	<i>[insert the expected time schedule for this position (e.g. attach high level Gantt chart)]</i>
6...	Title of position:	
	Name of candidate	
	Duration of appointment:	<i>[insert the whole period (start and end dates) for which this position will be engaged]</i>
	Time commitment: for this position:	<i>[insert the number of days/week/months/ that has been scheduled for this position]</i>
	Expected time schedule for this position:	<i>[insert the expected time schedule for this position (e.g. attach high level Gantt chart)]</i>

Candidate Summary

Name of Bidder or partner of a Joint Venture
--

Position	Candidate <input type="checkbox"/> Prime <input type="checkbox"/> Alternate	
Candidate information	Name of candidate	Date of birth
	Professional qualifications	
Present employment	Name of Employer	
	Address of Employer	
	Telephone	Contact (manager / personnel officer)
	Fax	email
	Job title of candidate	Years with present Employer

Summarize professional experience over the last twenty years, in reverse chronological order. Indicate particular technical and managerial experience relevant to the project.

From	To	Company/Project/ Position/Relevant technical and management experience

Technical Capabilities

Name of Bidder or partner of a Joint Venture

The Bidder shall provide adequate information to demonstrate clearly that it has the technical capability to meet the requirements for the Information System. With this form, the Bidder should summarize important certifications, proprietary methodologies, and/or specialized technologies that the Bidder proposes to utilize in the execution of the Contract or Contracts.

UNOFFICIAL COPY

Manufacturer's Authorization

Note: This authorization should be written on the letterhead of the Manufacturer and be signed by a person with the proper authority to sign documents that are binding on the Manufacturer.

Invitation for Bids Title and No.: Supply, Installation and Commissioning of Hyper Converged Infrastructure in National Data Center and Contract Package # AF-G9

To:

Project Director
Leveraging ICT for Growth, Employment & Governance Project
Bangladesh Computer Council (BCC)
2nd Floor, ICT Tower, Plot # E-14/X,
Agargaon, Sher-e-Bangla Nagar,
Dhaka – 1207, Bangladesh

WHEREAS [*insert: Name of Manufacturer*] who are official producers of [*insert: items of supply by Manufacturer*] and having production facilities at [*insert: address of Manufacturer*] do hereby authorize [*insert: name of Bidder or Joint Venture*] located at [*insert: address of Bidder or Joint Venture*] (hereinafter, the “Bidder”) to submit a bid and subsequently negotiate and sign a Contract with you for resale of the following Products produced by us:

We hereby confirm that, in case the bidding results in a Contract between you and the Bidder, the above-listed products will come with our full standard warranty.

Name [*insert: Name of Officer*] in the capacity of [*insert: Title of Officer*]

Signed _____

Duly authorized to sign the authorization for and on behalf of: [*insert: Name of Manufacturer*]

Dated this [*insert: ordinal*] day of [*insert: month*], [*insert: year*].

[*add Corporate Seal (where appropriate)*]

Subcontractor's Agreement

Note: This agreement should be written on the letterhead of the Subcontractor and be signed by a person with the proper authority to sign documents that are binding on the Subcontractor.

Invitation for Bids Title and No.: Supply, Installation and Commissioning of Hyper Converged Infrastructure in National Data Center and Contract Package # AF-G9

To:

Project Director
Leveraging ICT for Growth, Employment & Governance Project
Bangladesh Computer Council (BCC)
2nd Floor, ICT Tower, Plot # E-14/X,
Agargaon, Sher-e-Bangla Nagar,
Dhaka – 1207, Bangladesh

WHEREAS [*insert: Name of Subcontractor*], having head offices at [*insert: address of Subcontractor*], have been informed by [*insert: name of Bidder or Joint Venture*] located at [*insert: address of Bidder or Joint Venture*] (hereinafter, the “Bidder”) that it will submit a bid in which [*insert: Name of Subcontractor*] will provide [*insert: items of supply or services provided by the Subcontractor*]. We hereby commit to provide the above named items, in the instance that the Bidder is awarded the Contract.

Name [*insert: Name of Officer*] in the capacity of [*insert: Title of Officer*]

Signed _____

Duly authorized to sign the authorization for and on behalf of: [*insert: Name of Subcontractor*]

Dated this [*insert: ordinal*] day of [*insert: month*], [*insert: year*].

[*add Corporate Seal (where appropriate)*]

List of Proposed Subcontractors

	Item	Proposed Subcontractor	Place of Registration & Qualifications

UNOFFICIAL COPY

INTELLECTUAL PROPERTY FORMS

Notes to Bidders on working with the Intellectual Property Forms

In accordance with ITB 11.1(j), Bidders must submit, as part of their bids, lists of all the Software included in the bid assigned to one of the following categories: (A) System, General-Purpose, or Application Software; or (B) Standard or Custom Software. Bidders must also submit a list of all Custom Materials. These categorizations are needed to support the Intellectual Property in the GCC and SCC.

UNOFFICIAL COPY

Software List

Software Item	(select one per item)			(select one per item)	
	System Software	General-Purpose Software	Application Software	Standard Software	Custom Software

UNOFFICIAL COPY

CONFORMANCE OF INFORMATION SYSTEM MATERIALS

UNOFFICIAL COPY

Format of the Technical Bid

In accordance with ITB 16.2, the documentary evidence of conformity of the Information System to the bidding documents includes (but is not restricted to):

- (a). The Bidder's Preliminary Project Plan, including, but not restricted, to the topics specified in the BDS ITB 16.2. The Preliminary Project Plan should also state the Bidder's assessment of the major responsibilities of the Purchaser and any other involved third parties in System supply and installation, as well as the Bidder's proposed means for coordinating activities by each of the involved parties to avoid delays or interference.
- (b). A written confirmation by the Bidder that, if awarded the Contract, it shall accept responsibility for successful integration and interoperability of all the proposed Information Technologies included in the System, as further specified in the Technical Requirements.
- (c). Item-by-Item Commentary on the Technical Requirements demonstrating the substantial responsiveness of the overall design of the System and the individual Information Technologies, Goods, and Services offered to those Technical Requirements.

In demonstrating the responsiveness of its bid, the Bidder must use the Technical Responsiveness Checklist (Format). Failure to do so increases significantly the risk that the Bidder's Technical Bid will be declared technically non-responsive. Among other things, the checklist should contain explicit cross-references to the relevant pages in supporting materials included the Bidder's Technical Bid.

Note: The Technical Requirements are voiced as requirements of the *Supplier* and/or the *System*. The Bidder's response must provide clear evidence for the evaluation team to assess the credibility of the response. A response of "yes" or "will do" is unlikely to convey the credibility of the response. The Bidder should indicate *that* – and to the greatest extent practical – *how* the Bidder would comply with the requirements if awarded the contract. Whenever the technical requirements relate to feature(s) of existing products (e.g., hardware or software), the features should be described and the relevant product literature referenced. When the technical requirements relate to professional services (e.g., analysis, configuration, integration, training, etc.) some effort should be expended to describe how they would be rendered – not just a commitment to perform the [cut-and-paste] requirement. Whenever a technical requirement is for the Supplier to provide certifications (e.g., ISO 9001), copies of these certifications must be included in the Technical Bid.

Note: The Manufacturer's Authorizations (and any Subcontractor Agreements) are to be included in Attachment 2 (Bidder Qualifications), in accordance with and ITB 15.

Note: As a matter of practice, the contract cannot be awarded to a Bidder whose Technical Bid deviates (materially) from the Technical Requirements – *on any Technical Requirement*. Such deviations include omissions (e.g., non-responses) and responses that do not meet or exceed the requirement. Extreme care must be exercised in the preparation and presentation of the responses to all the Technical Requirements.

- (d). Supporting materials to underpin the Item-by-item Commentary on the Technical Requirements (e.g., product literature, white-papers, narrative descriptions of technical approaches to be employed, etc.). In the interest of timely bid evaluation and contract award, Bidders are encouraged not to overload the supporting materials with documents that do not directly address the Purchaser's requirements.
- (e). Any separate and enforceable contract(s) for Recurrent Cost items which the BDS ITB 17.2 required Bidders to bid.

Note: To facilitate bid evaluation and contract award, Bidders encouraged providing electronic copies of their Technical Bid – preferably in a format that the evaluation team can extract text from to facilitate the bid clarification process and to facilitate the preparation of the Bid Evaluation Report.

Technical Responsiveness Checklist (Format)

Tech. Requirement No. 1	Technical Requirement: Hyper Converged Infrastructure (HCI) <i>The Bidder must comply with all the technical requirements mentioned for Item No. 1: Hyper Converged Infrastructure (HCI) in subsection 3.7 of Technical Specification Section VII</i>	Mandatory
Bidder's technical reasons supporting compliance:		
Bidder's cross references to supporting information in Technical Bid:		
Tech. Requirement No. 2	Technical Requirement: LEAF/ToR switch for HCI <i>The Bidder must comply with all the technical requirements mentioned for Item No. 2: LEAF/ToR switch for HCI in subsection 3.7 of Technical Specification Section VII</i>	Mandatory
Bidder's technical reasons supporting compliance:		
Bidder's cross references to supporting information in Technical Bid:		
Tech. Requirement No. 3	Technical Requirement: SPINE switch for HCI <i>The Bidder must comply with all the technical requirements mentioned for Item No. 3: SPINE switch for HCI in subsection 3.7 of Technical Specification Section VII</i>	Mandatory
Bidder's technical reasons supporting compliance:		
Bidder's cross references to supporting information in Technical Bid:		
Tech. Requirement No. 4	Technical Requirement: Requirements for the system to protect virtualized data <i>The Bidder must comply with all the technical requirements mentioned for Item No. 4: Requirements for the system to protect virtualized data in subsection 3.7 of Technical Specification Section VII</i>	Mandatory
Bidder's technical reasons supporting compliance:		
Bidder's cross references to supporting information in Technical Bid:		

Form of Bid Security (Bank Guarantee)

[The bank shall fill in this Bank Guarantee Form in accordance with the instructions indicated.]
[Guarantor letterhead or SWIFT identifier code]

Beneficiary:

Project Director
Leveraging ICT for Growth, Employment & Governance Project
Bangladesh Computer Council (BCC)
2nd Floor, ICT Tower, Plot # E-14/X,
Agargaon, Sher-e-Bangla Nagar,
Dhaka – 1207, Bangladesh

RFB No.: Supply, Installation and Commissioning of Hyper Converged Infrastructure in National Data Center (Contract Package # AF-G9)

Alternative No.: *[Insert identification No if this is a Bid for an alternative]*

Date: _____ *[Insert date of issue]* _____

BID GUARANTEE No.: *[Insert guarantee reference number]* _____

We have been informed that _____ *[insert name of the Bidder, which in the case of a joint venture shall be the name of the joint venture (whether legally constituted or prospective) or the names of all members thereof]* _____ (hereinafter called “the Applicant”) has submitted or will submit the Beneficiary its bid _____ (hereinafter called “the Bid”) for the execution of _____ under Request for Bids No. _____ (“the RFB”).

Furthermore, we understand that, according to the Beneficiary’s, Bids must be supported by a Bid guarantee.

At the request of the Applicant, we as Guarantor, hereby irrevocably undertake to pay the Beneficiary any sum or sums not exceeding in total an amount of _____ (_____) upon receipt by us of the Beneficiary’s complying demand supported by the Beneficiary’s statement, whether in the demand itself or a separate signed document accompanying the demand, stating that either the Applicant:

- (a) has withdrawn its Bid during the period of bid validity set forth in the Applicant’s Letter of Bid (“the Bid Validity Period”), or any extension thereof provided by the Applicant; or
- (b) having been notified of the acceptance of its Bid by the Beneficiary during the period of Bid validity or any extension thereof provided by the Applicant has failed to: (i) execute the Contract Agreement, if required, or (ii) furnish the performance security, in accordance with the Instructions to Bidders (“ITB”) of the Beneficiary’s bidding document.

This guarantee will expire: (a) if the Applicant is the successful Bidder, upon our receipt of copies of the contract agreement signed by the Applicant and the Performance Security issued to the Beneficiary in relation to such Contract Agreement; or (b) if the Applicant is not the successful Bidder, upon the earlier of (i) our receipt of a copy of the Beneficiary's notification to the Applicant of the results of the Bidding process; or (ii) twenty-eight days after the expiration of the Bidder's Bid Validity Period.

Consequently, any demand for payment under this guarantee must be received by us at the office on or before that date.

This guarantee is subject to the Uniform Rules for Demand Guarantees (URDG) 2010 Revision, ICC Publication No. 758.

[signature(s)]

UNOFFICIAL COPY

Form of Bid Security (Bid Bond)

(Not Applicable)

BOND NO. _____

BY THIS BOND _____ as Principal (hereinafter called “the Principal”), and _____, **authorized to transact business in** _____, as Surety (hereinafter called “the Surety”), are held and firmly bound unto _____ as Obligee (hereinafter called “the Purchaser”) in the sum of _____¹ (_____), for the payment of which sum, well and truly to be made, we, the said Principal and Surety, bind ourselves, our successors and assigns, jointly and severally, firmly by these presents.

WHEREAS the Principal has submitted or will submit a written Bid to the Purchaser dated the ___ day of _____, 20___, for the supply of ___[name of Contract] _____ (hereinafter called the “Bid”).

NOW, THEREFORE, THE CONDITION OF THIS OBLIGATION is such that if the Principal:

- (a) Has withdrawn its Bid during the period of bid validity set forth in the Principal’s Letter of Bid (the Bid Validity Period), or any extension provided by the Principal; or
- (b) having been notified of the acceptance of its Bid by the Purchaser during the Bid Validity Period or any extension thereto provided by the Applicant has failed to; (i) execute the Contract Agreement, or (ii) furnish the Performance Security in accordance with the Instructions to Bidders (“ITB”) of the Purchaser’s bidding document.

then the Surety undertakes to immediately pay to the Purchaser up to the above amount upon receipt of the Purchaser’s first written demand, without the Purchaser having to substantiate its demand, provided that in its demand the Purchaser shall state that the demand arises from the occurrence of any of the above events, specifying which event(s) has occurred.

The Surety hereby agrees that its obligation will remain in full force and effect up to and including the date 28 days after the date of expiration of the Bid Validity Period set forth in the Principal’s Letter of Bid or extended thereto provided by the Principal.

IN TESTIMONY WHEREOF, the Principal and the Surety have caused these presents to be executed in their respective names this ___ day of _____ 20___.

Principal: _____

Surety: _____

Corporate Seal (where appropriate)

(Signature)

(Printed name and title)

(Signature)

(Printed name and title)

¹ The amount of the Bond shall be denominated in the currency of the Purchaser’s Country or the equivalent amount in a freely convertible currency.

Form of Bid-Securing Declaration (Not Applicable)

[The Bidder shall fill in this Form in accordance with the instructions indicated.]

Date: *[date (as day, month and year)]*

Bid No.: *[number of bidding process]*

Alternative No.: *[insert identification No if this is a Bid for an alternative]*

To: *[complete name of Purchaser]*

We, the undersigned, declare that:

We understand that, according to your conditions, Bids must be supported by a Bid-Securing Declaration.

We accept that we will automatically be suspended from being eligible for bidding or submitting proposals in any contract with the Purchaser for the period of time of *_[number of months or years] _____*, starting on *_[date] _____*, if we are in breach of our obligation(s) under the bid conditions, because we:

- (a) have withdrawn our Bid during the period of bid validity specified in the Letter of Bid; or
- (b) having been notified of the acceptance of our Bid by the Purchaser during the period of bid validity, (i) fail or refuse to execute the Contract, if required, or (ii) fail or refuse to furnish the Performance Security, in accordance with the ITB.

We understand this Bid-Securing Declaration shall expire if we are not the successful Bidder, upon the earlier of (i) our receipt of your notification to us of the name of the successful Bidder; or (ii) twenty-eight days after the expiration of our Bid.

Name of the Bidder* _____

Name of the person duly authorized to sign the Bid on behalf of the Bidder** _____

Title of the person signing the Bid _____

Signature of the person named above _____

ate signed _____ day of _____, _____

*: In the case of the Bid submitted by joint venture specify the name of the Joint Venture as Bidder

** : Person signing the Bid shall have the power of attorney given by the Bidder attached to the Bid

[Note: In case of a Joint Venture, the Bid-Securing Declaration must be in the name of all members to the Joint Venture that submits the bid.]

SECTION V - ELIGIBLE COUNTRIES

Eligibility for the Provision of Information System

In reference to ITB 4.8 and ITB 5.1, for the information of the Bidders, at the present time firms and information systems from the following countries are excluded from this bidding process:

Under ITB 4.8(a) and ITB 5.1: **Israel**

Under ITB 4.8(b) and ITB 5.1: **Israel**

SECTION VI - FRAUD AND CORRUPTION

(Section VI shall not be modified)

1. Purpose

1.1 The Bank's Anti-Corruption Guidelines and this annex apply with respect to procurement under Bank Investment Project Financing operations.

2. Requirements

2.1 The Bank requires that Borrowers (including beneficiaries of Bank financing); bidders (applicants/proposers), consultants, contractors and suppliers; any sub-contractors, sub-consultants, service providers or suppliers; any agents (whether declared or not); and any of their personnel, observe the highest standard of ethics during the procurement process, selection and contract execution of Bank-financed contracts, and refrain from Fraud and Corruption.

2.2 To this end, the Bank:

a. Defines, for the purposes of this provision, the terms set forth below as follows:

- i. "corrupt practice" is the offering, giving, receiving, or soliciting, directly or indirectly, of anything of value to influence improperly the actions of another party;
- ii. "fraudulent practice" is any act or omission, including misrepresentation, that knowingly or recklessly misleads, or attempts to mislead, a party to obtain financial or other benefit or to avoid an obligation;
- iii. "collusive practice" is an arrangement between two or more parties designed to achieve an improper purpose, including to influence improperly the actions of another party;
- iv. "coercive practice" is impairing or harming, or threatening to impair or harm, directly or indirectly, any party or the property of the party to influence improperly the actions of a party;
- v. "obstructive practice" is:
 - (a) deliberately destroying, falsifying, altering, or concealing of evidence material to the investigation or making false statements to investigators in order to materially impede a Bank investigation into allegations of a corrupt, fraudulent, coercive, or collusive practice; and/or threatening, harassing, or intimidating any party to prevent it from disclosing its knowledge of matters relevant to the investigation or from pursuing the investigation; or
 - (b) acts intended to materially impede the exercise of the Bank's inspection and audit rights provided for under paragraph 2.2 e. below.

b. Rejects a proposal for award if the Bank determines that the firm or individual recommended for award, any of its personnel, or its agents, or its sub-consultants, sub-

contractors, service providers, suppliers and/ or their employees, has, directly or indirectly, engaged in corrupt, fraudulent, collusive, coercive, or obstructive practices in competing for the contract in question;

- c. In addition to the legal remedies set out in the relevant Legal Agreement, may take other appropriate actions, including declaring misprocurement, if the Bank determines at any time that representatives of the Borrower or of a recipient of any part of the proceeds of the loan engaged in corrupt, fraudulent, collusive, coercive, or obstructive practices during the procurement process, selection and/or execution of the contract in question, without the Borrower having taken timely and appropriate action satisfactory to the Bank to address such practices when they occur, including by failing to inform the Bank in a timely manner at the time they knew of the practices;
- d. Pursuant to the Bank's Anti-Corruption Guidelines, and in accordance with the Bank's prevailing sanctions policies and procedures, may sanction a firm or individual, either indefinitely or for a stated period of time, including by publicly declaring such firm or individual ineligible (i) to be awarded or otherwise benefit from a Bank-financed contract, financially or in any other manner;¹ (ii) to be a nominated² sub-contractor, consultant, manufacturer or supplier, or service provider of an otherwise eligible firm being awarded a Bank-financed contract; and (iii) to receive the proceeds of any loan made by the Bank or otherwise to participate further in the preparation or implementation of any Bank-financed project;
- e. Requires that a clause be included in bidding/request for proposals documents and in contracts financed by a Bank loan, requiring (i) bidders (applicants/proposers), consultants, contractors, and suppliers, and their sub-contractors, sub-consultants, service providers, suppliers, agents personnel, permit the Bank to inspect³ all accounts, records and other documents relating to the procurement process, selection and/or contract execution, and to have them audited by auditors appointed by the Bank.

¹ For the avoidance of doubt, a sanctioned party's ineligibility to be awarded a contract shall include, without limitation, (i) applying for pre-qualification, expressing interest in a consultancy, and bidding, either directly or as a nominated sub-contractor, nominated consultant, nominated manufacturer or supplier, or nominated service provider, in respect of such contract, and (ii) entering into an addendum or amendment introducing a material modification to any existing contract.

² A nominated sub-contractor, nominated consultant, nominated manufacturer or supplier, or nominated service provider (different names are used depending on the particular bidding document) is one which has been: (i) included by the bidder in its pre-qualification application or bid because it brings specific and critical experience and know-how that allow the bidder to meet the qualification requirements for the particular bid; or (ii) appointed by the Borrower.

³ Inspections in this context usually are investigative (i.e., forensic) in nature. They involve fact-finding activities undertaken by the Bank or persons appointed by the Bank to address specific matters related to investigations/audits, such as evaluating the veracity of an allegation of possible Fraud and Corruption, through the appropriate mechanisms. Such activity includes but is not limited to: accessing and examining a firm's or individual's financial records and information, and making copies thereof as relevant; accessing and examining any other documents, data and information (whether in hard copy or electronic format) deemed relevant for the investigation/audit, and making copies thereof as relevant; interviewing staff and other relevant individuals; performing physical inspections and site visits; and obtaining third party verification of information.

PART 2 – PURCHASER’S REQUIREMENTS

UNOFFICIAL COPY

**SECTION VII - REQUIREMENTS OF THE INFORMATION
SYSTEM**

**(INCLUDING TECHNICAL REQUIREMENTS, IMPLEMENTATION SCHEDULE,
SYSTEM INVENTORY TABLES, BACKGROUND AND INFORMATIONAL
MATERIALS)**

UNOFFICIAL COPY

Technical Requirements

Table of Contents: Technical Requirements

A. Acronyms Used in The Technical Requirements	106
0.1 Acronym Table	106
B. Functional, Architectural and Performance Requirements.....	108
1.1 Legal and Regulatory Requirements to be met by the Hyper Converged Infrastructure (HCI)	108
1.2 Business Function Requirements to be met by the Hyper Converged Infrastructure (HCI)	108
1.3 Architectural Requirements to be met by the Hyper Converged Infrastructure	110
1.4 Systems Administration and Management Functions are required to be met by Hyper Converged Infrastructure	111
1.5 Performance Requirements of the Hyper Converged Infrastructure	114
C. Service Specifications – Supply & Install Items	114
2.1 System Analysis, Design and Customization/Development.....	114
2.2 Software Customization / Development	114
2.3 System Integration (to other existing systems).....	114
2.4 Training and Training Materials	114
2.5 Data Conversion and Migration.....	115
2.6 Documentation Requirements.....	115
2.7 Requirements of the Supplier’s Technical Team.....	115
D. Technology Specifications – Supply & Install Items.....	116
3.0 General Technical Requirements	116
3.1 Computing Hardware Specifications	116
3.2 Network and Communications Specifications	116
3.3 Ancillary Hardware Specifications	116
3.4 Standard Software Specifications	116
3.5 Consumables	116
3.6 Other Non-IT Goods	116
3.7 Detailed Technical Specifications and Requirements.....	117
E. Testing and Quality Assurance Requirements	129
4.1 Inspections	129
4.2 Pre-commissioning Tests	129
4.3 Operational Acceptance Tests.....	129
F. Service Specifications – Recurrent Cost Items	130
5.1 Warranty Defect Repair	130
5.2 Technical Support	131

A. ACRONYMS USED IN THE TECHNICAL REQUIREMENTS

0.1 Acronym Table

Note: Compile a table of organizational and technical acronyms used in the Requirements. This can be done, for example, by extending the following table.

Term	Explanation
bps	bits per second
cps	characters per second
DBMS	Database Management System
DOS	Disk Operating System
dpi	dots per inch
Ethernet	IEEE 802.3 Standard LAN protocol
GB	Gigabyte
Hz	Hertz (cycles per second)
IEEE	Institute of Electrical and Electronics Engineers
ISO	International Standards Organization
KB	Kilobyte
kVA	Kilovolt ampere
LAN	Local area network
lpi	lines per inch
lpm	lines per minute
MB	Megabyte
MTBF	Mean time between failures
NIC	Network interface card
NOS	Network operating system
ODBC	Open Database Connectivity
OLE	Object Linking and Embedding
OS	Operating system
PCL	Printer Command Language
ppm	pages per minute

	Term	Explanation
	PS	PostScript -- Adobe page description language
	RAID	Redundant array of inexpensive disks
	RAM	Random access memory
	RISC	Reduced instruction-set computer
	SCSI	Small Computer System Interface
	SNMP	Simple Network Management Protocol
	SQL	Structured Query Language
	TCP/IP	Transmission Control Protocol / Internet Protocol
	V	Volt
	WLAN	Wireless LAN

B. FUNCTIONAL, ARCHITECTURAL AND PERFORMANCE REQUIREMENTS

1.1 Legal and Regulatory Requirements to be met by the Hyper Converged Infrastructure (HCI)

1.1.1.1 Digital Security Act 2016

1.1.1.2 Policies, Guidelines, and Standards

- Government of Bangladesh Information Security Manual 2016
- ICT Policy 2009 amended in 2015
- Information Security Policy Guideline 2014
- National Cyber Security Strategy 2014
- Cyber Security Policy 2010
- ISO 27001:2013

1.2 Business Function Requirements to be met by the Hyper Converged Infrastructure (HCI)

1.2.1 The Hyper Converged Infrastructure (HCI) MUST support the following business functions:

1.2.1.1 Under the Digital Bangladesh initiative, it is envisioned to "make all Government services accessible to the common man in his locality, through common service delivery outlets and ensure efficiency, transparency & reliability of such services at affordable costs to realize the basic needs of the common man".

In order to make this vision a reality, the Government of Bangladesh (GoB) recognized the potential of Information and Communication Technology (ICT) for rapid and all round development in general and transforming governance in particular. Initially there were islands of ICT initiatives at the Country, District, Upazilla, Union and even Village level. The learnings by way of both the challenges and opportunities faced during the development and implementation of such initiatives contributed to refining the overall e-Governance strategy. One of the key learning's that emerged was an urgent need to develop the core and other supporting infrastructure for sustaining e-Governance initiatives across the country.

1.2.1.2 The National e-Governance Plan has identified multiple mission mode projects along with various e-Governance initiatives at the Country level to provide increased number of services electronically. Several Data Centers are being implemented to provide common IT infrastructure to host these planned e-Governance initiatives / applications. These Data Centers are one of the three infrastructure pillars structured by the National e-Governance Plan to facilitate

web-enabled Anytime, Anywhere access. Data Centers are conceptualized with the objective of providing a common enabling infrastructure to the country to cater to its e-Governance applications hosting requirements of the entire government and its departments. National Data Center has been identified as one of the core infrastructure components to consolidate services, applications and infrastructure to provide efficient electronic delivery of G2G, G2C and G2B services. It will enable various departments to host their services/applications on a common infrastructure leading to ease of integration and efficient management, ensuring that computing resources and the support connectivity infrastructure is adequately and optimally used.

1.2.1.3 BCC intends to procure Hyper Converged Infrastructure Solution with fifteen (15) nodes to be virtualized for provisioning additional Servers needed for new business requirements. The key functional requirements of Hyper-Converged Solution to be procured are provided below:

- Proposed solution must be vendor-agnostic and must be able to consolidate and integrate with any industry standard server/storage/network infrastructure in data center and help to simplify management.
- Downtime results in reduced productivity and hence the solution should be configured in high availability mode and should ensure there are no single points of failure
- Disaster recovery is required for regulatory compliance. Proposed Servers should integrate seamlessly with existing / future industry standard disk storage and network infrastructure for implementation of backup and disaster recovery solution.
- Proposed solution should be highly scalable to cater to the increasing need of data growth of the organization.
- System should support live alerting and reporting.

1.2.1.4 Objectives

The objectives of this bidding document are the following:

- (a) To Supply, Installation and Commissioning of components for Hyper Converged Infrastructure (HCI) in National Data Center (NDC).

1.2.1.6. Characteristics of Hyper Converged Infrastructure

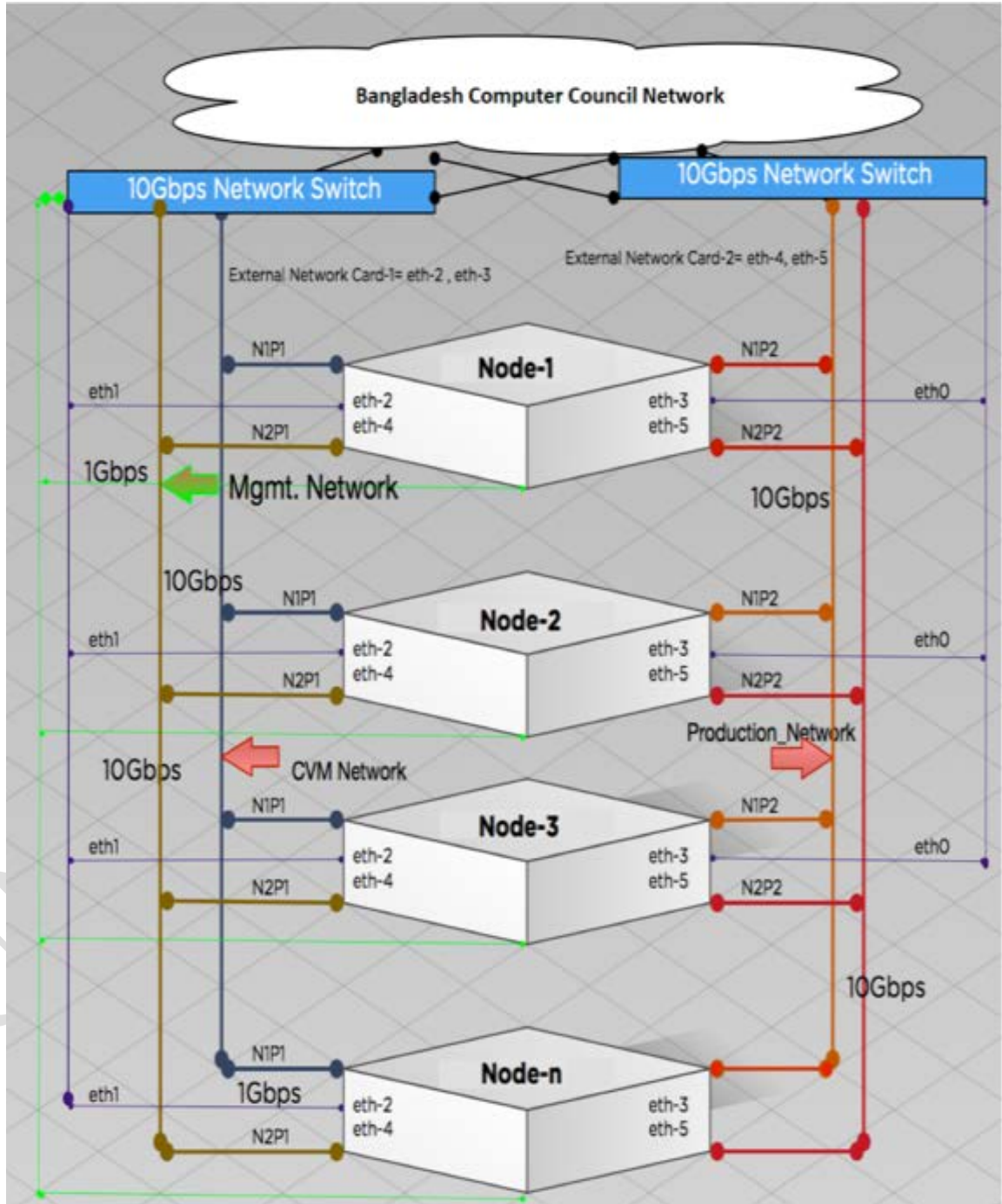
Following are the important characteristics of Hyper Converged Infrastructure (HCI):

- a) Software Focused
- b) Uses Commodity x86 Hardware
- c) Provides Centralized Systems and Management
- d) Provides Enhanced IT Agility
- e) Offers improved Scalability and Efficiency
- f) Provides Lower Cost of ownership over time
- g) Provides Easy Automation

- h) Focused on Virtualization
- i) Exploits Shared Resources
- j) Improves Data Protection

1.3 Architectural Requirements to be met by the Hyper Converged Infrastructure

1.3.1 The Solution MUST be supplied and configured to implement the following architecture.

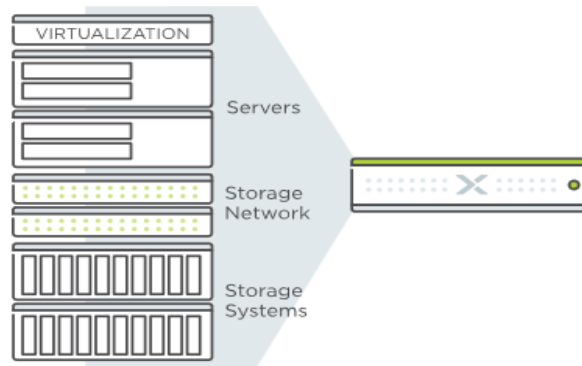


1.3.2. HCI Architecture Overview

The growing demands of enterprise applications and the fast pace of modern business threaten to put legacy IT design — with separate storage, storage networks and servers — at risk of failure. The silos created by traditional datacenter infrastructure often present barriers to change and progress, adding complexity to every step from ordering to deployment to management.

Hyper Converged Infrastructure (HCI) Components

The proposed Hyper Converged Infrastructure (HCI) solution should streamline the deployment, management and scaling of datacenter resources by combining x86-based server and storage resources with intelligent software in a turnkey software-defined solution. The following figure shows the components of HCI:



The proposed HCI solution should consist of two fundamental components:

A Distributed Data Plane that runs across a cluster of nodes delivering storage, virtualization and networking services for guest applications – either VMs or container-based applications.

A Management Plane that allows for the easy administration of all HCI resources from a single view, and eliminates the need for separate management solutions for servers, storage networks, storage and virtualization.

The proposed HCI solution should be 100% software-defined, with no dependency on proprietary hardware. Each HCI node in a cluster should run a hypervisor and the HCI control features should run as a separate virtual machine on every node, forming a fully distributed fabric that can scale resources with the addition of new nodes.

1.4 Systems Administration and Management Functions are required to be met by Hyper Converged Infrastructure

1.4.1 The Hyper Converged Infrastructure MUST provide for the following management, administration, and security features at the overall System level in an integrated fashion.

1.4.1.1 Installation, Configuration and Change Management:

The Successful Bidder should undertake a complete life cycle management approach for providing the required services. This would include:

- Install
 - Configure
 - Test
 - Implement
- ❖ All equipments including software should need to be installed in the designated location by BCC. Vendor must install, implement, and integrate all the systems supplied and required for smooth and seamless functioning of the installed systems/equipments. The following requirements must be met by the selected bidder.
 - ❖ The Systems shall be tested in the staging environment at BCC before installation in the production environment. The winning bidder shall provide documentation to satisfy the purchaser that the selected bidder has tested the functionality, performance based on simulation scenarios and resilience of the various components of the System prior to operational acceptance test.
 - ❖ The winning bidder shall conduct the tests on the System in the testing and production environments to ensure that the equipments and systems have been installed and setup properly.

Change Management:

Identifying Changes; The first issue in establishing formal change control is delineating a change from a clarification. The selected vendor must ensure that the inventory of what is to be delivered is quickly and concisely bound.

Change Control Procedure; The change control procedure will contain the following key steps:

- ❖ BCC will request changes and authorized person from supplier will document and initiate changes.
- ❖ BCC and supplier will define the procedures for submitting and evaluating changes in the contract..
- ❖ The third is to identify the points where each given deliverable will come under change control. The selected vendor must describe how each of these steps will be accomplished.

Change Control and Planning;

- ❖ Even if a change request is turned down, it takes resources to evaluate it. While the evaluation process may consume only a small portion of the project's resources, it tends to take up a large percentage of the time of key resources. The selected vendor must ensure that the resources required for evaluating and implementing changes are included in the project plan.
- ❖ If a change request is accepted, it will require resources to complete it. The selected vendor should assume that some of level of change will occur and account for it in the planning process.

1.4.1.2 Operational Monitoring, Diagnostics, and Troubleshooting:

- This is a turnkey assignment. The supplier will be responsible for operational monitoring, diagnostics and troubleshooting of the installed systems/equipments. Under the scope the selected bidder shall undertake monitoring, administration and management of the infrastructure supplied, installed and commissioned by them under this tender.
- Defects of the total information system (IS) will be addressed at on-site in accordance with the assigned priority level.
- (a) Priority Level 1: complete loss of all service of the Product and the situation is an emergency. The supplier will acknowledge within 1 working hour from the time that the call was logged with the supplier and shall remedy defects and/or provide a workaround within 1 working day of notification of the problem, with a permanent solution within an agreed timeframe.
- (b) Priority Level 2: severe loss of service of the Product however, operation can continue in a restricted fashion. The supplier will acknowledge within 2 working hours from the time that the call was logged with the supplier and shall remedy defects and/or provide a workaround within 3 working days.
- (c) Priority Level 3: a minor loss of service of the Product, the impact is an inconvenience. The supplier will acknowledge 1 working day from the time that the call was logged with the supplier and shall remedy defects in the next release of the software or within 2 months.
- (d) Priority Level 4: no loss of service of the Product; the result is a minor error, incorrect behavior, or a documentation. The supplier will acknowledge within 1 working day from the time that the call was logged with the supplier and the supplier shall use its reasonable efforts to remedy defects and/or provide a workaround in the next release.
- Customer’s Support Service Obligations: The Customer shall provide cooperation and assistance to the supplier in the supplier’s efforts to provide support. Such cooperation and assistance shall include but not be limited to:
 - (a) The timely transmittal and release to the supplier of appropriate and accurate documentation and information;
 - (b) Remote access to Customer’s environment where the defect can be reproduced and traced.

- (c) If the fault cannot be replicated via the remote access, the Customer will require the supplier’s staff to attend site.

1.4.1.3 User Administration and Access Control;

User and Usage Monitoring and Audit Trails: The purchaser wants to ensure that user and usage monitoring and audit trails features are available for all systems and/or equipments that will be installed under this tender. Because at the heart of most devices that provide protection for IT networks is an ability to log events and take actions based on those events.

1.4.1.4 System and Information Security and Security Policies: The supplier must follow the recommendations/guidelines/procedures stipulated under ISO 27001:2013 family of standards.

1.4.1.5 Back-up and Disaster-Recovery: The supplier must provide detailed procedure and guidelines for back-up and disaster recovery for all systems/equipments that will be installed under this tender.

1.5 Performance Requirements of the Hyper Converged Infrastructure

1.5.1 The Hyper Converged Infrastructure MUST reach the following performance levels.

1.5.1.1 The solution should be provisioned so that there is no single point of failure and it should be designed to ensure 99.95% uptime and zero data loss. Availability of the system will be assessed by BCC.

C. SERVICE SPECIFICATIONS – SUPPLY & INSTALL ITEMS

2.1 System Analysis, Design and Customization/Development

2.1.1.1 Detailed Analysis: N/A

2.1.1.2 Physical Design: N/A

2.1.1.3 Integrated System: N/A

2.2 Software Customization / Development

2.2.1 No software customization/development work is considered for this bidding document.

2.3 System Integration (to other existing systems)

2.3.1 Not Applicable.

2.4 Training and Training Materials

2.4.1 The Supplier MUST provide the following Training Services and Materials.

2.4.1.1 User: Not Applicable

2.4.1.2 Technical: To be provided by the contracted bidder

2.4.1.3 Management: To be provided by the contracted bidder

2.5 Data Conversion and Migration

2.5.1 No Data Conversion and/or Migration activity is considered for this bidding document.

2.6 Documentation Requirements

2.6.1 The Supplier MUST prepare and provide the following Documentation.

2.6.1.1 End-User Documents: Not Applicable

2.6.1.2 Technical Documents:

- Technical Data Sheet (Software and Hardware)
- Software Technical Manual
- Hardware Technical Manual
- Operational Manual (Entire System)
- Troubleshooting Guide (Software and Hardware)
- System Administration and Management Guide

Note: All technical documents must be in English and must be written in simple and comprehensible manner.

2.7 Requirements of the Supplier’s Technical Team

2.7.1 The Supplier MUST maintain a technical team of the following roles during the Supply and Installation Activities under the Contract:

2.7.1.1 Team leader (1 person): Will work as a team leader of the supplier’s implementation team for this assignment.

2.7.1.2 Project governance and management specialist (1 person): Will work as a project manager for this assignment and will be single point of contact from the supplier’s side for this assignment

2.7.1.3 Expert in Hyper Converged Infrastructure (1 person): Will be responsible for implementation of Hyper Converged Infrastructure under this assignment

2.7.1.4 Expert in Virtualization (1 person): Will be responsible for virtualization related works under this assignment/

2.7.1.5 Expert in Server and Networking (1 person): Will be responsible for server and network related works under this assignment.

D. TECHNOLOGY SPECIFICATIONS – SUPPLY & INSTALL ITEMS

3.0 General Technical Requirements

- 3.0.1 Language Support: All information technologies must provide support for the English language.
- 3.0.2 Electrical Power: All active (powered) equipment must operate on **voltage range and frequency range** [220v +/- 20v], [50Hz +/- 2Hz] respectively. All active equipment must include power plugs standard in Bangladesh.
- 3.0.3 Environmental: Unless otherwise specified, all equipment must operate in environments of **temperature:** 10-30 degrees centigrade, **humidity:** 20-80 percent relative humidity **and dust condition:** 0-40 grams per cubic meter of dust.
- 3.0.4 Safety:
 - 3.0.4.1 Unless otherwise specified, all equipment must operate at noise levels no greater than 55 decibels.
 - 3.0.4.2 All electronic equipment that emits electromagnetic energy must be certified as meeting US FCC class B or END 55022 and END 50082-1, or equivalent, emission standards.

3.1 Computing Hardware Specifications

- 3.1.1 Computing hardware specifications are provided in section 3.7:

3.2 Network and Communications Specifications

- 3.2.1 Network and communications specifications are provided in section 3.7:

3.3 Ancillary Hardware Specifications

- 3.3.1 Ancillary hardware specifications are provided in section 3.7.

3.4 Standard Software Specifications

- 3.4.1 Standard Software specifications are provided in section 3.7.

3.5 Consumables

- 3.5.1 No consumables are considered for this bidding document:

3.6 Other Non-IT Goods

- 3.6.1 No Other Non-IT Goods are considered for this bidding document:

3.7 Detailed Technical Specifications and Requirements

Item #	Product Names/Items	Description of requirements	Unit	QTY
1	Hyper Converged Infrastructure (HCI)		Set	Lot
	Hardware Requirement	Total Physical Node: Min.15 Total Physical Cores:Min.540 Total Physical RAM: Min. 5.7 TB Total Usable Space: Min. 1 PB Network Port Per Node: Min. 2 Nos. Dual Ported 10 Gbps SFP+		
	Quality Certification	The proposed solution should be in the leaders quadrant of the FY18 Gartner Magic Quadrant for Hyper Converged Infrastructure (HCI)		
	Architecture	The proposed solution should support all leading Virtualization Software products like VMware ESXi, Microsoft Hyper-V, Open KVM and XenServer. HCI solution must support industry leading protocols NFS, iSCSI & SMB.		
		The proposed solution should provide hyper-converged software that allows delivery of enterprise-class storage services across any type of disks (SSD/SAS/NLSAS) using latest x86 server infrastructures without dependency on a separate Storage Area Network & associated components such as SAN Switches &HBAs.		
		The proposed HCI solution should be 100% software defined and should not leverage any specialized hardware (proprietary) other than x86 Hardware to run virtualization layer with virtual storage appliance		
		The proposed HCI solution must support Container based Application like Docker and OpenStack integration		
		The proposed HCI solution should be 100% software defined and should not be dependent on any hardware (RAID Controller etc.) for Compression or De-duplication across each and every nodes in cluster		
		The proposed solution should run on industry standard x86 servers and it should leverage Virtual Storage Appliance to build true Software defined Storage		

		The proposed solution should independently scale storage and compute as and when needed without any downtime. HCI should support storage expansion without any virtualization license implication for only storage expansion.		
		The proposed HCI solution must have metadata distributed on all nodes in a cluster i.e. each node in the cluster should carry information about data lying across every node in the cluster and capacity utilization/distribution across all nodes has to be uniform at all times		
		The proposed HCI solution should be able to create multiple logical unit (LUN's) for storage with multiple policy for deduplication and compression across storage logical unit		
		The Proposed HCI solution should support Erasure Coding for archival data storage		
		The proposed HCI solution should be able to leverage SSD not only for caching but for capacity also to optimized read IO's and there should not be any limitation on SSD overall caching on software defined storage		
		The proposed HCI solution should be able to upgrade SSD for higher caching/capacity (by adding more SSD) without any major impact on HCI Storage		
		The proposed solution must have capability to support nodes with same/different CPU & Memory/Disks configurations in the same cluster without any impact on enterprise-class storage services/functionality		
		The proposed solution should support hybrid and all flash nodes in same cluster for future scalability		
		The proposed solution should be capable of adding additional combined server and storage components with high performance GPU capabilities, seamlessly, with no downtime, to scale performance and capacity on demand		
		Shall support minimum 32 nodes in a same cluster without any federation		
		The proposed solution should have options to create multiple data stores for diversified application requirements on deduplication/compression across all storage tier (Hybrid / All Flash)		

		Proposed HCI solution should support fault tolerance of at least two nodes failure within a cluster		
		The proposed HCI Solution should have capability for OS Catalogue and OS provisioning with role based access to virtual machine		
	Hypervisor License	Required Hypervisor License would be included into the solution		
	Supported Hard Drives	The proposed solution must have capability to support all industry drives available (SSD & SAS/SATA)		
	Features	The proposed solution support thin provisioning for storage		
		The solution support for automated upgrades of storage controllers through management GUI with no downtime and major impact on production		
		The proposed solution should take native storage level snapshots with no impact to guest performance		
		The proposed solution should be capable of creating instant snapshots of virtual machines(hypervisor agnostic) and maintained multiple copies of snapshots & clones		
		The platform should have capability to leverage SSD for IOPS hungry workload should be running from SSD only		
		The proposed HCI solution must provide operations management and provide performance, storage, CPU utilization per VM		
	Replication	The solution should support data replication (hypervisor agnostic) with data optimization over WAN		
		The proposed solution should support multi-site (One To Many and Many To One) replication		
	Network Layer	Support for layer-2 VLAN for networking and integrated VM IP's Management capabilities		
		Proposed solution should provide Virtual Network visibility with application-centric protection from network threats and automation of common networking operations.		
		Proposed solution should provide granular control and governance across VM to VM traffic or VMs pre defined Group/Department		

		Proposed solution should support VM's life cycle policy based firewall rules for east west traffic across VM's through one management console without any third party software.		
		Proposed solution should integrate with third party network function software like virtual load balancers, virtual firewall etc.		
		Proposed solution should integrate with L2/L3 network device with API call function for all required network configuration (L2/L3) with VM Life cycle.		
	Form Factor	The platform should have support for rack /chassis awareness to support redundant data should go to different rack/chassis nodes		
	Block & File Services	The proposed HCI must support connectivity (HCI Storage extension) to 3rd party bare metal servers (for optimized DB licensing on physical servers) to HCI storage cluster & use the cluster capacity like a iSCSI, NFS target.		
		The proposed HCI should support native File Services over NFS/CIFS/SMB and file replication across clusters and data centers		
	Management	Platform must provide management through a web based HTML 5 console. Must provide storage, compute & hypervisor metrics on a per VM level as well as health and monitoring of entire platform. Platform should support LDAP Active Directory integration		
		Platform must support monitoring via SNMPv3 and email alerting via SMTP		
		The Solution should to analytics on capacity behavior and should have capability of showing all under and over utilized VM's with their right sizing information.		
		The Solution should be capable of creating custom dashboard with reporting as per customer ease and requirements, Solution should be able to scan/search objects with advanced search option for faster access to require information for trouble shooting		
		The Solution have capability for finding object anomalies from standard behaviors and report this before major bottleneck for solution.		
		The Solution should have capability for managing multiple sites/clusters from one HTML5 based browser with single sign on.		

		The Solution should support rest API for third party integration.		
		The solution should have call home capability for remote log collection and proactive support for predictive failure hardware component		
	HCI/Virtualization Management Platform	The solution should have catalogue of private as well as public HCI/Virtualization services , spanning all the targeted HCI/Virtualization environments and should support self-service provisioning capabilities		
		The proposed solution should support application lifecycle management with automated orchestration across multiple hypervisor and HCI/Virtualization		
		The solution should provide authentication, authorization and accounting (AAA) out of the box		
		The solution should provide ability to orchestrate third-party integrations via APIs to simplify the use of complementary IT service management tools and products		
		The solution should have Life Cycle Management Work flows: Provisioning		
		The Solution should have the capabilities for customization of dashboards		
		The solution should provide capability of generating reports for usage & performance		
	Security	The proposed HCI solution should support data at rest encryption any specialized hardware		
		The solution should support out of the box security compliance for proposed HCI solution to ensure highly secure HCI environment. Solution should have at list industry three or more certifications. (e.g. NIST, FIPS140-2, EAL2 CCC-Common Criteria Certified, DISA- approved STIG)		
	Warranty & Support Services	The proposed solution OEM should share Net Promoter Score-2017 and share customer references details		
		The proposed solution should provide seamless upgrade for Firmware, Hypervisor, Storage OS, BIOS and other such functions which are required in the HCI platform. The upgrade should be online and should not mandate any kind of OEM engagement. 3 (Three) years manufacturer’s warranty should be provided from the date of commissioning.		

	Test and Verification	All technical specifications and features will be tested during OAT. The supplier has the responsibility to conduct the test and submit a document describing the tests performed and corresponding results. The test results will be verified by BCC representative.		
--	-----------------------	---	--	--

UNOFFICIAL COPY

Item #	Product Names/Items	Description of requirements	Unit	QTY
2	LEAF/ToR switch for HCI		Set	1 Lot
		Switch architecture should be fixed form factor fitting 19" ETSI rack.		
		Switch should be pure Datacenter class switches supporting latest DC technologies like VXLAN functionality		
		Switch should have minimum 16 ports of 10G SFP+ ports for server connectivity		
		Switch should have minimum 4 ports of 40G QSFP+ ports		
		Switch should be 25G & 100G ready for future scalability		
		Should support min 4GB of system memory and 8GB SSD drive		
		Should support buffer memory size of min 16MB per switch		
		Power consumption shall not exceed 200W Watt		
		Switch should have internal redundant power supplies and fans from day one.		
		Proposed switches should be HCI AHV certified and support Auto VM creation & migration feature from Day 1.		
		Switch should have wire-speed for all the packet sizes.		
		Switch should support non-blocking wire speed performance on all 10G and 40G ports		
		Should support minimum switching capacity of 1 Tbps and throughput of min 1000 Mpps to ensure non-blocking wires peed performance on all ports.		
		<p><u>Include the following in the BOQ:</u></p> <p>ToR switches with rack mount kit = 7 no's 10G SFP+ DAC cables = 96 no's (3m) 40G QSFP+ to QSFP+ DAC cable (1m) = 6 no's 40G QSFP+ to QSFP+ DAC cable (5m) = 12 no's</p>		
		<p><u>Must support following L2 features:</u></p> <p>Port mirroring sflow for traffic monitoring Min 80k MAC address table Jumbo frame support (9216 bytes) 4000 VLANS STP, MSTP, RSTP, PVRST BPDU filter, root guard, BPDU guard 802.3ad LACP Min 2000 ACL's in hardware 802.3x Flow control LLDP</p>		

	IGMP snooping		
	<p><u>Must support following L3 features:</u></p> <p>VLAN routing Static routes OSPF BGP VRRP ECMP PIM Routing table size - min 100k IPv4 routes in hardware</p>		
	<p><u>Should support datacenter features like:</u></p> <p>Data center bridging (DCBX) 802.1Qbb Priority Flow Control (PFC) 802.1Qaz Enhanced Transmission Selection (ETS)</p>		
	The switch should support latency less than 500ns		
	Remote software download and configuration backup shall be possible via network management system without traffic interruption.		
	Should support automation software integration like Puppet for automatic configuration of switches		
	Should support standard CLI and Web GUI		
	Should support Syslog, telnet, NTP, DHCP relay,		
	Management software for managing above proposed switches should be included with the switch with 3 years support		
	NMS should support: Network Discovery, VLAN Provisioning, SW upgrades, Bulk command push to many switches		
	Proposal should include 3 years 8x5 NBD warranty from OEM.		
Test and Verification	All technical specifications and features will be tested during OAT. The supplier has the responsibility to conduct the test and submit a document describing the tests performed and corresponding results. The test results will be verified by BCC representative.		

Item #	Product Names/Items	Description of Requirements	Unit	QTY
3		SPINE switch for HCI	Set	1 Lot
		Switch architecture should be fixed form factor fitting 19" ETSI rack.		
		Switch should be pure Datacenter class switches supporting latest DC technologies like VXLAN functionality		
		Switch should have minimum 16 ports of 40G QSFP+ ports		
		Switch should be 100G ready for future scalability		
		Should support min 4GB of system memory and 8GB SSD drive		
		Should support buffer memory size of min 16MB per switch		
		Power consumption shall not exceed 200W Watt		
		Switch should have internal redundant power supplies and fans from day one.		
		Proposed switches should be HCI AHV certified and support Auto VM creation & migration feature from Day 1.		
		Switch should have wire-speed for all the packet sizes.		
		Switch should support non-blocking wire speed performance on all 10G and 40G ports		
		Should support minimum switching capacity of 1 Tbps and throughput of min 1000 Mpps to ensure non-blocking wire speed performance on all ports.		
		<p><u>Include the following in the BOQ:</u></p> <p>SPINE switches with rack mount kit = 3 no's 40G QSFP+ to QSFP+ DAC cable (1m) = 2 no's 10G SR fiber transceivers = 6 no's (for up linking to existing network switches)</p>		
		<p><u>Must support following L2 features:-</u></p> <p>Port mirroring sflow for traffic monitoring Min 80k MAC address table Jumbo frame support (9216 bytes) 4000 VLANS STP, MSTP, RSTP, PVRST BPDU filter, root guard, BPDU guard 802.3ad LACP Min 2000 ACL's in hardware 802.3x Flow control LLDP IGMP snooping</p>		

	<p><u>Must support following L3 features:</u></p> <p>VLAN routing Static routes OSPF BGP VRRP ECMP PIM Routing table size - min 100k IPv4 routes in hardware</p>		
	<p>Should support datacenter features like:</p> <p>Data center bridging (DCBX) 802.1Qbb Priority Flow Control (PFC) 802.1Qaz Enhanced Transmission Selection (ETS)</p>		
	The switch should support latency less than 500ns		
	Remote software download and configuration backup shall be possible via network management system without traffic interruption.		
	Should support automation software integration like Puppet for automatic configuration of switches		
	Should support standard CLI and Web GUI		
	Should support Syslog, telnet, NTP, DHCP relay,		
	Management software for managing above proposed switches should be included with the switch with 3 years support		
	NMS should support: Network Discovery, VLAN Provisioning, SW upgrades, Bulk command push to many switches		
	Proposal should include 3 years 8x5 NBD warranty from OEM.		
Test and Verification	All technical specifications and features will be tested during OAT. The supplier has the responsibility to conduct the test and submit a document describing the tests performed and corresponding results. The test results will be verified by BCC representative.		



Item #	Product Names/Items	Description of requirements	Unit	QTY
4		Requirements for the system to protect virtualized data	Set	1 Lot
		The system must allow backup of virtual machines based on the snapshot mechanism.		
		The system must be able to perform a backup of the virtual machine for the HCI AHV platform with following requirements		
		o The system must be able to make a full differential backup for a virtual machine		
		o The system must support the Changed Region Tracking (CRT) mechanism		
		o The system must support incremental backup		
		o The system must support drives exclusion		
		o The system must support mountable backups and single file restore		
		o The system must be agent-less and use HCI AHV API		
		o The system must be HCI AHV/Integrated certified		
		The solution must enable placing backup copies in a central backup server based on:		
		o Local disk		
		o A remote resource based on the iSCSI protocol, NFS		
		o IBM Spectrum Protect (Tivoli Storage Manager)		
		o VERITAS – NetBackup		
		o DELL-EMC Networker		
		Or on object disk space:		
		o Amazon S3		
		o IBM Cloud Object Storage		
		o OpenStack SWIFT		
		o Scality		
		o Microsoft Azure		
		The solution must have management of the expiration of stored backups, relative to the number of versions and number of days.		
		The solution must have pre/post snapshot mechanism, to be able to inactive services before snapshot backup with their own custom scripts to make backup application-level consistent.		
		The solution must provide configuration of the number of simultaneous threads exporting data from hypervisors.		
		The solution must provide configuration of the number of simultaneous threads placing data in the central backup server.		
		The solution must provide configuration of the number of simultaneous threads retrieving data from the central backup server.		

	The solution must have a graphical user interface that allows operation using a web browser		
	The solution must have a text interface (CLI command line) that allows configuration and management of backup processes		
	The solution must provide information about the date of the last virtual machine backup and the amount of data transferred in the graphical environment.		
	The backup system must allow automatic assignment of virtual machines to schedules based on the names of virtual machines		
	The solution must provide configuration of backup schedules for given groups of virtual machines.		
	o The system must make it possible to assign priority to backup tasks for a group of virtual machines		
	o The system must enable the creation of schedule configurations that concern:		
	§ Days of the week		
	§ Months		
	§ The N-th occurrence of the day of the week in the month		
	The system must provide sending a daily report of the status of backup copies by e-mail		
	The solution must provide the restoration of previous backups.		
	The backup system must ensure that all user interface functions are executed via the REST API.		
	The backup system must provide scalability by adding an unlimited number of components / nodes responsible for data transfer between the virtual environment and the backup server (data mover).		
	All nodes should be managed from the central administration console		
	The licenses of the backup system offered must enable:		
	o adding unlimited disk space for storing backups		
	o protection of unlimited number of virtual machines		
	Proposal should include 3 years 8x5 NBD warranty from OEM.		
Test and Verification	All technical specifications and features will be tested during OAT. The supplier has the responsibility to conduct the test and submit a document describing the tests performed and corresponding results. The test results will be verified by BCC representative.		

E. TESTING AND QUALITY ASSURANCE REQUIREMENTS

4.1 Inspections

- 4.1.1 No factory inspection from the Purchaser is necessary.
- 4.1.2 Inspections following delivery shall be arranged in the office of the Project Director or in a designated location as per the instruction of the office of the project director. The inspection activities will include checks whether the hardware and software supplied under this bid comply with the minimum requirements set forth in the technical requirements section of this bidding document. It will also check the physical condition of the items as well as ingenuity of their source and other obligations mentioned in this bidding document and the agreement signed between the purchaser and the selected vendor.

4.2 Pre-commissioning Tests

- 4.2.0 In addition to the Supplier’s standard check-out and set-up tests, the Supplier (with the assistance of the Purchaser) must perform the following tests on the System and its Subsystems before Installation will be deemed to have occurred and the Purchaser will issue the Installation Certificate(s) (pursuant to GCC Clause 26 and related SCC clauses).
- 4.2.1 Test of all individual software systems must be performed and desired performance indicators and technical specifications mentioned in this tender must be met by each and every software component / system included in this tender.
- 4.2.2 Test of all individual hardware components must be performed and desired performance indicators and technical specifications mentioned in this tender must be met by each and every hardware component / system included in this tender.
- 4.2.3 **The Entire System:** Pre-commissioning Tests for the entire System must be performed and the entire platform of Cyber Sensors must operate as an integrated system and fulfill all performance requirements of the information system stated above in point # 1.5 of section B (Functional, Architectural and Performance Requirements).

4.3 Operational Acceptance Tests

- 4.3.0 Pursuant to GCC Clause 27 and related SCC clauses, the Purchaser (with the assistance of the Supplier) will perform the following tests on the System and its Subsystems following Installation to determine whether the System and the Subsystems meet all the requirements mandated for Operational Acceptance.

- 4.3.1 The Purchaser (with the assistance of the Supplier) shall perform Operational Acceptance Tests to ascertain whether the System, or a specified Subsystem, is able to attain the functional and performance requirements specified in the Technical Requirements and Agreed and Finalized Project Plan, in accordance with the provisions of GCC Clause 27.2 (Operational Acceptance Test).

The Supplier shall use all reasonable endeavors to promptly remedy any defect and/or deficiencies and/or other reasons for the failure of the Operational Acceptance Test that the Project Manager has notified the Supplier of. Once such remedies have been made by the Supplier, the Supplier shall notify the Purchaser, and the Purchaser, with the full cooperation of the Supplier, shall use all reasonable endeavors to promptly carry out retesting of the System or Subsystem. Upon the successful conclusion of the Operational Acceptance Tests, the Supplier shall notify the Purchaser of its request for Operational Acceptance Certification, in accordance with GCC Clause 27.3.3. The Purchaser shall then issue to the Supplier the Operational Acceptance Certification in accordance with GCC Clause 27.3.3 (a), or shall notify the Supplier of further defects, deficiencies, or other reasons for the failure of the Operational Acceptance Test. The procedure set out in this GCC Clause 27.3.4 shall be repeated, as necessary, until an Operational Acceptance Certificate is issued.

The Supplier shall submit the system integration test report detailing the test results from the successful completion of the tests to the purchaser for review at least two (2) weeks before the commencement of the OAT. The Government reserves the right to hold back the OAT until the evidence of the successful completion of the tests is produced.

F. SERVICE SPECIFICATIONS – RECURRENT COST ITEMS

5.1 Warranty Defect Repair

- 5.1.1 The Supplier MUST provide the following services under the Contract or, as appropriate under separate contracts (as specified in the bidding documents).

5.1.1.1 Warranty Defect Repair Service: Three (3) years warranty should be provided for all equipments, systems, and hardware and software items (Defects of the total information system (IS) will be addressed at on-site in accordance with the assigned priority level mentioned in subsection **1.4.1.2 Operational Monitoring, Diagnostics, and Troubleshooting**) including on-site defects remedy service, as applicable.

5.2 Technical Support

5.2.1 The Supplier MUST provide the following services under the Contract or, as appropriate under separate contracts (as specified in the bidding documents).

5.2.1.1 User support / hot line: Not Applicable.

5.2.1.2 Technical Assistance: Not Applicable.

5.2.1.3 Post-Warranty Maintenance Services: Not Applicable.

UNOFFICIAL COPY

Implementation Schedule

Table of Contents: Implementation Schedule

A.	Implementation Schedule Table.....	133
B.	Site Table(s)	134
C.	Table of Holidays and Other Non-Working Days	135

UNOFFICIAL COPY

A. IMPLEMENTATION SCHEDULE TABLE

The implementation part of assignment mentioned in this invitation for bids must be completed within 14(fourteen) weeks from the date of effective of the contract. Detailed technical designs and relevant documentation must be provided including physical, logical and service oriented layout designs, etc. Roles and responsibilities of all stakeholders regarding the activities and services must be provided in details with clear separation of duties.

Line Item No.	Subsystem / Item	Configuration Table No.	Site / Site Code	Delivery (weeks from Effective Date)	Installation (weeks from Effective Date)	Acceptance (weeks from Effective Date)	Liquidated Damages Milestone
0	Project Plan (In cluing High Level and Low Level Architecture)	N/A	NDC , ICT Tower	W2	-	W3	No
1	Hyper Converged Infrastructure (HCI)	N/A	NDC , ICT Tower	W11	W12	W13	No
2	LEAF/ToR switch for HCI	N/A	NDC , ICT Tower	W11	W12	W13	No
3	SPINE switch for HCI	N/A	NDC , ICT Tower	W11	W12	W13	No
4	Requirements for the system to protect virtualized data	N/A	NDC , ICT Tower	W11	W12	W13	No
5	Installation of entire HCI	N/A	NDC , ICT Tower	N/A	W12	W13	No
6	Configuration of HCI	N/A	NDC , ICT Tower	N/A-	N/A	W13	No
7	Training and delivery of documentations	N/A	NDC , ICT Tower	N/A	N/A	W13, W14	No
8	Operational Acceptance of the System	N/A	NDC , ICT Tower	N/A	N/A	W14	Operational Acceptance

B. SITE TABLE(S)

[Specify: the detailed information regarding the site(s) at which the System is to be operated]

Site Code	Site	City / Town / Region	Primary Street Address	Drawing Reference No. (if any)
1	Headquarters			
R1	Region 1	NOT APPLICABLE		
R1.1	Region 1 Head Office			
R1.2	ABC Branch Office			
R1.3	DEF Branch Office			

C. TABLE OF HOLIDAYS AND OTHER NON-WORKING DAYS

[Specify: the days for each month for each year that are non-working days, due to Holidays or other business reasons (other than weekends).]

Month	2018	2019	2020	2021	2022	2023	2024	2025
January		2						
February		2						
March		3						
April		5						
May		5						
June								
July								
August								
September	7							
October	5							
November	5							
December	2							

System Inventory Tables

Table of Contents: System Inventory Tables

System Inventory Table (Supply and Installation Cost Items).....	137
---	------------

UNOFFICIAL COPY

SYSTEM INVENTORY TABLE (SUPPLY AND INSTALLATION COST ITEMS)

Component No.	Component	Relevant Technical Specifications No.	Additional Site Information (e.g., building, floor, department, etc.)	Quantity
1	Hyper Converged Infrastructure (HCI)	1	3 rd floor, ICT Tower	1 Lot
2	LEAF/ToR switch for HCI	2	3 rd floor, ICT Tower	1 Lot
3	SPINE switch for HCI	3	3 rd floor, ICT Tower	1 Lot
4	Requirements for the system to protect virtualized data	4	3 rd floor, ICT Tower	1 Lot
5	Warranty including Maintenance of S/W & H/W Components of HCI	-	3 rd floor, ICT Tower	Three (3) for Years from the date of Operational Acceptance

Background and Informational Materials

Table of Contents: Background and Informational Materials

A. Background.....	139
0.1 The Purchaser.....	139
0.2 The Purchaser’s Business Objectives for the Information System.....	139
B. Informational Materials	139
0.3 The Legal, Regulatory, and Normative Context for the Information System	140
0.4 Existing Information Systems / Information Technologies Relevant to the Information System.....	140
0.5 Available Training Facilities to Support the Implementation of the Information System	140
0.6 Site Drawings and Site Survey Information Relevant to the Information System .	140

UNOFFICIAL COPY

Background and Informational Materials

A. BACKGROUND

0.1 The Purchaser

0.1.1 Bangladesh Computer Council (BCC) is a statutory body under the Ministry of Posts, Telecommunications and Information Technology, Government of Bangladesh (GOB). It was established by Act No IX of 1990 passed by the Parliament. The main activities are (not limited to) encouraging and providing support for ICT related activities, formulating national ICT strategy and policy, creating standards and specifications of ICT tools for government organizations according to their necessity, working for human resource development in ICT sector. It has also established National Data Center for hosting all the government websites, e-mail services and web applications. It is the only TIER – 3 certified Government Data Center in Bangladesh. In the near future, it will act as the only Gateway to access internet services for all of the government organizations. BCC is continuing ICT infrastructure development of government through several development projects/programs to facilitate access to government services from root level. BCC is steadily growing and relies heavily on the IT Infrastructure to enable the growth and operationalize efficiencies.

0.2 The Purchaser's Business Objectives for the Hyper Converged Infrastructure

0.2.1 There has been a dramatic change as to how the business is being conducted considering the constantly evolving technological landscape. This transformation in business practice has brought in challenges of maintaining and consistently delivering high quality IT services to consumers. With this growth in demand and dependency on technology, where more and more services are delivered electronically, the amount of business critical information stored electronically continues to grow exponentially. At the same time, it has been BCC's utmost priority to keep pace with the technological changes and upgrade its capacity and capability.

0.2.2 To stay ahead and to improve operational efficiency, BCC intends to procure Hyper-Converged Infrastructure Solution with 15 nodes to be virtualized for provisioning additional Servers needed for new business requirement.

0.2.3. Under the prevailing scenario, BCC invites technically complete and commercially competitive bids from reputed Bidders for Supply, Installation, Configuration, Testing and Implementation of Hyper-Converged Infrastructure solution.

The key business objectives are provided below:

- Refresh and consolidate the Server infrastructure and simplify management across sites.
- Make business more secure for today, tomorrow and in the future.
- Protect critical corporate data and ensure availability of the same in case of disaster

- Seamless Integration of Servers, Storage and Network landscape for present and future applications planned for procurement.
- Servers to fit in the limited Rack space.
- Should allow faster provisioning of Servers.
- Should provide high availability for business resiliency.

B. INFORMATIONAL MATERIALS

0.3 The Legal, Regulatory, and Normative Context for the Hyper Converged Infrastructure

0.3.1 Digital Security Act 2016

0.3.2 Policies, Guidelines, and Standards

- ❖ Government of Bangladesh Information Security Manual 2016
- ❖ ICT Policy 2009 amended in 2015
- ❖ Information Security Policy Guideline 2014
- ❖ National Cyber Security Strategy 2014
- ❖ Cyber Security Policy 2010
- ❖ ISO 27001:2013

0.4 Existing Information Systems / Information Technologies Relevant to the Hyper Converged Infrastructure

0.4.1 Not Applicable.

0.5 Available Training Facilities to Support the Implementation of the Hyper Converged Infrastructure

0.5.1 Not Applicable

0.6 Site Drawings and Site Survey Information Relevant to the Hyper Converged Infrastructure

0.6.1 Not Applicable

**PART 3 – CONDITIONS OF
CONTRACT AND CONTRACT
FORMS**

SECTION VIII - GENERAL CONDITIONS OF CONTRACT

UNOFFICIAL COPY

Table of Contents

A. Contract and Interpretation	145
1. Definitions.....	145
2. Contract Documents.....	153
3. Interpretation.....	153
4. Notices	155
5. Governing Law	157
6. Fraud and Corruption.....	157
B. Subject Matter of Contract	157
7. Scope of the System.....	157
8. Time for Commencement and Operational Acceptance	158
9. Supplier’s Responsibilities.....	158
10. Purchaser’s Responsibilities	160
C. Payment.....	162
11. Contract Price.....	162
12. Terms of Payment	162
13. Securities.....	163
14. Taxes and Duties.....	164
D. Intellectual Property	165
15. Copyright	165
16. Software License Agreements	166
17. Confidential Information	168
E. Supply, Installation, Testing, Commissioning, and Acceptance of the System	170
18. Representatives	170
19. Project Plan	172
20. Subcontracting	173
21. Design and Engineering.....	174
22. Procurement, Delivery, and Transport.....	177
23. Product Upgrades.....	179
24. Implementation, Installation, and Other Services.....	180
25. Inspections and Tests	181
26. Installation of the System.....	182
27. Commissioning and Operational Acceptance.....	182
F. Guarantees and Liabilities.....	186
28. Operational Acceptance Time Guarantee	186
29. Defect Liability	187
30. Functional Guarantees	190
31. Intellectual Property Rights Warranty	191
32. Intellectual Property Rights Indemnity.....	191
33. Limitation of Liability.....	194

G. Risk Distribution	195
34. Transfer of Ownership	195
35. Care of the System	195
36. Loss of or Damage to Property; Accident or Injury to Workers; Indemnification ..	196
37. Insurances	198
38. Force Majeure	200
H. Change in Contract Elements	202
39. Changes to the System	202
40. Extension of Time for Achieving Operational Acceptance	207
41. Termination.....	207
42. Assignment	215
I. Settlement of Disputes	215
43. Settlement of Disputes	215

UNOFFICIAL COPY

General Conditions of Contract

A. CONTRACT AND INTERPRETATION

1. Definitions

1.1 In this Contract, the following terms shall be interpreted as indicated below.

(a) contract elements

(i) “Contract” means the Contract Agreement entered into between the Purchaser and the Supplier, together with the Contract Documents referred to therein. The Contract Agreement and the Contract Documents shall constitute the Contract, and the term “the Contract” shall in all such documents be construed accordingly.

(ii) “Contract Documents” means the documents specified in Article 1.1 (Contract Documents) of the Contract Agreement (including any amendments to these Documents).

(iii) “Contract Agreement” means the agreement entered into between the Purchaser and the Supplier using the form of Contract Agreement contained in the Sample Contractual Forms Section of the bidding documents and any modifications to this form agreed to by the Purchaser and the Supplier. The date of the Contract Agreement shall be recorded in the signed form.

(iv) “GCC” means the General Conditions of Contract.

(v) “SCC” means the Special Conditions of Contract.

(vi) “Technical Requirements” means the Technical Requirements in Section VII of the bidding documents.

(vii) “Implementation Schedule” means the Implementation Schedule in Section VII of the bidding documents.

- viii) “Contract Price” means the price or prices defined in Article 2 (Contract Price and Terms of Payment) of the Contract Agreement.
- (ix) “Procurement Regulations” refers to the edition **specified in the SCC** of the World Bank “Procurement_Regulations for IPF Borrowers”.
- (x) “bidding documents” refers to the collection of documents issued by the Purchaser to instruct and inform potential suppliers of the processes for bidding, selection of the winning bid, and Contract formation, as well as the contractual conditions governing the relationship between the Purchaser and the Supplier. The General and Special Conditions of Contract, the Technical Requirements, and all other documents included in the bidding documents reflect the Procurement Regulations that the Purchaser is obligated to follow during procurement and administration of this Contract.

(b) entities

- (i) “Purchaser” means the entity purchasing the Information System, as **specified in the SCC**.
- (ii) “Project Manager” means the person **named as such in the SCC** or otherwise appointed by the Purchaser in the manner provided in GCC Clause 18.1 (Project Manager) to perform the duties delegated by the Purchaser.
- (iii) “Supplier” means the firm or Joint Venture whose bid to perform the Contract has been accepted by the Purchaser and is named as such in the Contract Agreement.
- (iv) “Supplier’s Representative” means any person nominated by the Supplier and named as such in the Contract Agreement or otherwise approved by the Purchaser in the manner provided in GCC Clause 18.2 (Supplier’s Representative) to perform the duties delegated by the Supplier.
- (v) “Subcontractor” means any firm to whom any of the obligations of the Supplier, including preparation of any design or supply of any

Information Technologies or other Goods or Services, is subcontracted directly or indirectly by the Supplier.

- (vi) “Adjudicator” means the person named in Appendix 2 of the Contract Agreement, appointed by agreement between the Purchaser and the Supplier to make a decision on or to settle any dispute between the Purchaser and the Supplier referred to him or her by the parties, pursuant to GCC Clause 43.1 (Adjudication).
- (vii) “The World Bank” (also called “The Bank”) means the International Bank for Reconstruction and Development (IBRD) or the International Development Association (IDA).

(c) scope

- (i) “Information System,” also called “the System,” means all the Information Technologies, Materials, and other Goods to be supplied, installed, integrated, and made operational (exclusive of the Supplier’s Equipment), together with the Services to be carried out by the Supplier under the Contract.
- (ii) “Subsystem” means any subset of the System identified as such in the Contract that may be supplied, installed, tested, and commissioned individually before Commissioning of the entire System.
- (iii) “Information Technologies” means all information processing and communications-related hardware, Software, supplies, and consumable items that the Supplier is required to supply and install under the Contract.
- (iv) “Goods” means all equipment, machinery, furnishings, Materials, and other tangible items that the Supplier is required to supply or supply and install under the Contract, including, without limitation, the Information Technologies and Materials, but excluding the Supplier’s Equipment.
- (v) “Services” means all technical, logistical,

management, and any other Services to be provided by the Supplier under the Contract to supply, install, customize, integrate, and make operational the System. Such Services may include, but are not restricted to, activity management and quality assurance, design, development, customization, documentation, transportation, insurance, inspection, expediting, site preparation, installation, integration, training, data migration, Pre-commissioning, Commissioning, maintenance, and technical support.

- (vi) “The Project Plan” means the document to be developed by the Supplier and approved by the Purchaser, pursuant to GCC Clause 19, based on the requirements of the Contract and the Preliminary Project Plan included in the Supplier’s bid. The “Agreed Project Plan” is the version of the Project Plan approved by the Purchaser, in accordance with GCC Clause 19.2. Should the Project Plan conflict with the Contract in any way, the relevant provisions of the Contract, including any amendments, shall prevail.
- (vii) “Software” means that part of the System which are instructions that cause information processing Subsystems to perform in a specific manner or execute specific operations.
- (viii) “System Software” means Software that provides the operating and management instructions for the underlying hardware and other components, and is identified as such in Appendix 4 of the Contract Agreement and such other Software as the parties may agree in writing to be Systems Software. Such System Software includes, but is not restricted to, micro-code embedded in hardware (i.e., “firmware”), operating systems, communications, system and network management, and utility software.
- (ix) “General-Purpose Software” means Software that supports general-purpose office and software development activities and is identified as such in Appendix 4 of the Contract

Agreement and such other Software as the parties may agree in writing to be General-Purpose Software. Such General-Purpose Software may include, but is not restricted to, word processing, spreadsheet, generic database management, and application development software.

- (x) “Application Software” means Software formulated to perform specific business or technical functions and interface with the business or technical users of the System and is identified as such in Appendix 4 of the Contract Agreement and such other Software as the parties may agree in writing to be Application Software.
- (xi) “Standard Software” means Software identified as such in Appendix 4 of the Contract Agreement and such other Software as the parties may agree in writing to be Standard Software.
- (xii) “Custom Software” means Software identified as such in Appendix 4 of the Contract Agreement and such other Software as the parties may agree in writing to be Custom Software.
- (xiii) “Source Code” means the database structures, dictionaries, definitions, program source files, and any other symbolic representations necessary for the compilation, execution, and subsequent maintenance of the Software (typically, but not exclusively, required for Custom Software).
- (xiv) “Materials” means all documentation in printed or printable form and all instructional and informational aides in any form (including audio, video, and text) and on any medium, provided to the Purchaser under the Contract.
- (xv) “Standard Materials” means all Materials not specified as Custom Materials.
- (xvi) “Custom Materials” means Materials developed by the Supplier at the Purchaser’s expense under the Contract and identified as such in Appendix 5

of the Contract Agreement and such other Materials as the parties may agree in writing to be Custom Materials. Custom Materials includes Materials created from Standard Materials.

(xvii) “Intellectual Property Rights” means any and all copyright, moral rights, trademark, patent, and other intellectual and proprietary rights, title and interests worldwide, whether vested, contingent, or future, including without limitation all economic rights and all exclusive rights to reproduce, fix, adapt, modify, translate, create derivative works from, extract or re-utilize data from, manufacture, introduce into circulation, publish, distribute, sell, license, sublicense, transfer, rent, lease, transmit or provide access electronically, broadcast, display, enter into computer memory, or otherwise use any portion or copy, in whole or in part, in any form, directly or indirectly, or to authorize or assign others to do so.

(xviii) “Supplier’s Equipment” means all equipment, tools, apparatus, or things of every kind required in or for installation, completion and maintenance of the System that are to be provided by the Supplier, but excluding the Information Technologies, or other items forming part of the System.

(d) activities

(i) “Delivery” means the transfer of the Goods from the Supplier to the Purchaser in accordance with the current edition Incoterms specified in the Contract.

(ii) “Installation” means that the System or a Subsystem as specified in the Contract is ready for Commissioning as provided in GCC Clause 26 (Installation).

(iii) “Pre-commissioning” means the testing, checking, and any other required activity that may be specified in the Technical Requirements that are to be carried out by the Supplier in preparation for Commissioning of the System as provided in GCC

Clause 26 (Installation).

- (iv) “Commissioning” means operation of the System or any Subsystem by the Supplier following Installation, which operation is to be carried out by the Supplier as provided in GCC Clause 27.1 (Commissioning), for the purpose of carrying out Operational Acceptance Test(s).
 - (v) “Operational Acceptance Tests” means the tests specified in the Technical Requirements and Agreed Project Plan to be carried out to ascertain whether the System, or a specified Subsystem, is able to attain the functional and performance requirements specified in the Technical Requirements and Agreed Project Plan, in accordance with the provisions of GCC Clause 27.2 (Operational Acceptance Test).
 - (vi) “Operational Acceptance” means the acceptance by the Purchaser of the System (or any Subsystem(s) where the Contract provides for acceptance of the System in parts), in accordance with GCC Clause 27.3 (Operational Acceptance).
- (e) place and time
- (i) “Purchaser’s Country” is the **country named in the SCC**.
 - (ii) “Supplier’s Country” is the country in which the Supplier is legally organized, as named in the Contract Agreement.
 - (iii) **Unless otherwise specified in the SCC** “Project Site(s)” means the place(s) in the Site Table in the Technical Requirements Section for the supply and installation of the System.
 - (iv) “Eligible Country” means the countries and territories eligible for participation in procurements financed by the World Bank as defined in the Procurement Regulations.
 - (v) “Day” means calendar day of the Gregorian Calendar.
 - (vi) “Week” means seven (7) consecutive Days,

beginning the day of the week as is customary in the Purchaser's Country.

- (vii) "Month" means calendar month of the Gregorian Calendar.
- (viii) "Year" means twelve (12) consecutive Months.
- (ix) "Effective Date" means the date of fulfillment of all conditions specified in Article 3 (Effective Date for Determining Time for Achieving Operational Acceptance) of the Contract Agreement, for the purpose of determining the Delivery, Installation, and Operational Acceptance dates for the System or Subsystem(s).
- (x) "Contract Period" is the time period during which this Contract governs the relations and obligations of the Purchaser and Supplier in relation to the System, as **unless otherwise specified in the SCC**, the Contract shall continue in force until the Information System and all the Services have been provided, unless the Contract is terminated earlier in accordance with the terms set out in the Contract.
- (xi) "Defect Liability Period" (also referred to as the "Warranty Period") means the period of validity of the warranties given by the Supplier commencing at date of the Operational Acceptance Certificate of the System or Subsystem(s), during which the Supplier is responsible for defects with respect to the System (or the relevant Subsystem[s]) as provided in GCC Clause 29 (Defect Liability).
- (xii) "The Coverage Period" means the Days of the Week and the hours of those Days during which maintenance, operational, and/or technical support services (if any) must be available.
- (xiii) "The Post-Warranty Services Period" means the number of years **defined in the SCC** (if any), following the expiration of the Warranty Period during which the Supplier may be obligated to provide Software licenses, maintenance, and/or technical support services for the System, either

under this Contract or under separate contract(s).

2. Contract Documents

2.1 Subject to Article 1.2 (Order of Precedence) of the Contract Agreement, all documents forming part of the Contract (and all parts of these documents) are intended to be correlative, complementary, and mutually explanatory. The Contract shall be read as a whole.

3. Interpretation

3.1 Governing Language

3.1.1 **Unless otherwise specified in the SCC**, all Contract Documents and related correspondence exchanged between Purchaser and Supplier shall be written in the language of these bidding documents (English), and the Contract shall be construed and interpreted in accordance with that language.

3.1.2 If any of the Contract Documents or related correspondence are prepared in a language other than the governing language under GCC Clause 3.1.1 above, the translation of such documents into the governing language shall prevail in matters of interpretation. The originating party, with respect to such documents shall bear the costs and risks of such translation.

3.2 Singular and Plural

The singular shall include the plural and the plural the singular, except where the context otherwise requires.

3.3 Headings

The headings and marginal notes in the GCC are included for ease of reference and shall neither constitute a part of the Contract nor affect its interpretation.

3.4 Persons

Words importing persons or parties shall include firms, corporations, and government entities.

3.5 Incoterms

Unless inconsistent with any provision of the Contract, the meaning of any trade term and the rights and obligations of parties thereunder shall be as prescribed by the Incoterms

Incoterms means international rules for interpreting trade terms published by the International Chamber of Commerce

(latest edition), 38 Cours Albert 1^{er}, 75008 Paris, France.

3.6 Entire Agreement

The Contract constitutes the entire agreement between the Purchaser and Supplier with respect to the subject matter of Contract and supersedes all communications, negotiations, and agreements (whether written or oral) of parties with respect to the subject matter of the Contract made prior to the date of Contract.

3.7 Amendment

No amendment or other variation of the Contract shall be effective unless it is in writing, is dated, expressly refers to the Contract, and is signed by a duly authorized representative of each party to the Contract.

3.8 Independent Supplier

The Supplier shall be an independent contractor performing the Contract. The Contract does not create any agency, partnership, joint venture, or other joint relationship between the parties to the Contract.

Subject to the provisions of the Contract, the Supplier shall be solely responsible for the manner in which the Contract is performed. All employees, representatives, or Subcontractors engaged by the Supplier in connection with the performance of the Contract shall be under the complete control of the Supplier and shall not be deemed to be employees of the Purchaser, and nothing contained in the Contract or in any subcontract awarded by the Supplier shall be construed to create any contractual relationship between any such employees, representatives, or Subcontractors and the Purchaser.

3.9 Joint Venture

If the Supplier is a Joint Venture of two or more firms, all such firms shall be jointly and severally bound to the Purchaser for the fulfillment of the provisions of the Contract and shall designate one of such firms to act as a leader with authority to bind the Joint Venture. The composition or constitution of the Joint Venture shall not be altered without the prior consent of the Purchaser.

3.10 Nonwaiver

3.10.1 Subject to GCC Clause 3.10.2 below, no relaxation, forbearance, delay, or indulgence by either party in enforcing any of the terms and conditions of the Contract or the granting of time by either party to the other shall prejudice, affect, or restrict the rights of that party under the Contract, nor shall any waiver by either party of any breach of Contract operate as waiver of any subsequent or continuing breach of Contract.

3.10.2 Any waiver of a party's rights, powers, or remedies under the Contract must be in writing, must be dated and signed by an authorized representative of the party granting such waiver, and must specify the right and the extent to which it is being waived.

3.11 Severability

If any provision or condition of the Contract is prohibited or rendered invalid or unenforceable, such prohibition, invalidity, or unenforceability shall not affect the validity or enforceability of any other provisions and conditions of the Contract.

3.12 Country of Origin

“Origin” means the place where the Information Technologies, Materials, and other Goods for the System were produced or from which the Services are supplied. Goods are produced when, through manufacturing, processing, Software development, or substantial and major assembly or integration of components, a commercially recognized product results that is substantially different in basic characteristics or in purpose or utility from its components. The Origin of Goods and Services is distinct from the nationality of the Supplier and may be different.

4. Notices

4.1 Unless otherwise stated in the Contract, all notices to be given under the Contract shall be in writing and shall be sent, pursuant to GCC Clause 4.3 below, by personal delivery, airmail post, special courier, facsimile, electronic mail, or Electronic Data Interchange (EDI), with the following provisions.

4.1.1 Any notice sent by facsimile, electronic mail, or EDI shall be confirmed within two (2) days after dispatch

by notice sent by airmail post or special courier, except as otherwise specified in the Contract.

4.1.2 Any notice sent by airmail post or special courier shall be deemed (in the absence of evidence of earlier receipt) to have been delivered ten (10) days after dispatch. In proving the fact of dispatch, it shall be sufficient to show that the envelope containing such notice was properly addressed, stamped, and conveyed to the postal authorities or courier service for transmission by airmail or special courier.

4.1.3 Any notice delivered personally or sent by facsimile, electronic mail, or EDI shall be deemed to have been delivered on the date of its dispatch.

4.1.4 Either party may change its postal, facsimile, electronic mail, or EDI addresses for receipt of such notices by ten (10) days' notice to the other party in writing.

4.2 Notices shall be deemed to include any approvals, consents, instructions, orders, certificates, information and other communication to be given under the Contract.

4.3 Pursuant to GCC Clause 18, notices from/to the Purchaser are normally given by, or addressed to, the Project Manager, while notices from/to the Supplier are normally given by, or addressed to, the Supplier's Representative, or in its absence its deputy if any. If there is no appointed Project Manager or Supplier's Representative (or deputy), or if their related authority is limited by the SCC for GCC Clauses 18.1 or 18.2.2, or for any other reason, the Purchaser or Supplier may give and receive notices at their fallback addresses. The address of the Project Manager and the fallback address of the Purchaser are as **specified in the SCC** or as subsequently established/amended. The address of the Supplier's Representative and the fallback address of the Supplier are as specified in Appendix 1 of the Contract Agreement or as subsequently established/amended.

- 5. Governing Law**
- 5.1 The Contract shall be governed by and interpreted in accordance with the laws of the country **specified in the SCC**.
- 5.2 Throughout the execution of the Contract, the Supplier shall comply with the import of goods and services prohibitions in the Purchaser's Country when
- (a) as a matter of law or official regulations, the Borrower's country prohibits commercial relations with that country; or
- 5.3 by an act of compliance with a decision of the United Nations Security Council taken under Chapter VII of the Charter of the United Nations, the Borrower's Country prohibits any import of goods from that country or any payments to any country, person, or entity in that country.

6. Fraud and Corruption

- 6.1 The Bank requires compliance with the Bank's Anti-Corruption Guidelines and its prevailing sanctions policies and procedures as set forth in the WBG's Sanctions Framework, as set forth in the Appendix to the GCC.
- 6.2 The Purchaser requires the Suppliers to disclose any commissions or fees that may have been paid or are to be paid to agents or any other party with respect to the bidding process or execution of the Contract. The information disclosed must include at least the name and address of the agent or other party, the amount and currency, and the purpose of the commission, gratuity or fee.

B. SUBJECT MATTER OF CONTRACT

7. Scope of the System

- 7.1 Unless otherwise expressly **limited in the SCC** or Technical Requirements, the Supplier's obligations cover the provision of all Information Technologies, Materials and other Goods as well as the performance of all Services required for the design, development, and implementation (including procurement, quality assurance, assembly, associated site preparation, Delivery, Pre-commissioning, Installation, Testing, and Commissioning) of the System, in accordance with the plans, procedures, specifications, drawings, codes, and any other documents specified in the Contract and the

Agreed Project Plan.

7.2 The Supplier shall, unless specifically excluded in the Contract, perform all such work and / or supply all such items and Materials not specifically mentioned in the Contract but that can be reasonably inferred from the Contract as being required for attaining Operational Acceptance of the System as if such work and / or items and Materials were expressly mentioned in the Contract.

7.3 The Supplier's obligations (if any) to provide Goods and Services as implied by the Recurrent Cost tables of the Supplier's bid, such as consumables, spare parts, and technical services (e.g., maintenance, technical assistance, and operational support), are as **specified in the SCC**, including the relevant terms, characteristics, and timings.

8. Time for Commencement and Operational Acceptance

8.1 The Supplier shall commence work on the System within the period **specified in the SCC**, and without prejudice to GCC Clause 28.2, the Supplier shall thereafter proceed with the System in accordance with the time schedule specified in the Implementation Schedule and any refinements made in the Agreed Project Plan.

8.2 The Supplier shall achieve Operational Acceptance of the System (or Subsystem(s) where a separate time for Operational Acceptance of such Subsystem(s) is specified in the Contract) in accordance with the time schedule specified in the Implementation Schedule and any refinements made in the Agreed Project Plan, or within such extended time to which the Supplier shall be entitled under GCC Clause 40 (Extension of Time for Achieving Operational Acceptance).

9. Supplier's Responsibilities

9.1 The Supplier shall conduct all activities with due care and diligence, in accordance with the Contract and with the skill and care expected of a competent provider of information technologies, information systems, support, maintenance, training, and other related services, or in accordance with best industry practices. In particular, the Supplier shall provide and employ only technical personnel who are skilled and experienced in their respective callings and supervisory staff who are competent to adequately supervise the work at hand.

9.2 The Supplier confirms that it has entered into this Contract on the basis of a proper examination of the data relating to the System provided by the Purchaser and on the basis of information that the Supplier could have obtained from a

visual inspection of the site (if access to the site was available) and of other data readily available to the Supplier relating to the System as at the date twenty-eight (28) days prior to bid submission. The Supplier acknowledges that any failure to acquaint itself with all such data and information shall not relieve its responsibility for properly estimating the difficulty or cost of successfully performing the Contract.

- 9.3 The Supplier shall be responsible for timely provision of all resources, information, and decision making under its control that are necessary to reach a mutually Agreed Project Plan (pursuant to GCC Clause 19.2) within the time schedule specified in the Implementation Schedule. Failure to provide such resources, information, and decision-making may constitute grounds for termination pursuant to GCC Clause 41.2.
- 9.4 The Supplier shall acquire in its name all permits, approvals, and/or licenses from all local, state, or national government authorities or public service undertakings in the Purchaser's Country that are necessary for the performance of the Contract, including, without limitation, visas for the Supplier's and Subcontractor's personnel and entry permits for all imported Supplier's Equipment. The Supplier shall acquire all other permits, approvals, and/or licenses that are not the responsibility of the Purchaser under GCC Clause 10.4 and that are necessary for the performance of the Contract.
- 9.5 The Supplier shall comply with all laws in force in the Purchaser's Country. The laws will include all national, provincial, municipal, or other laws that affect the performance of the Contract and are binding upon the Supplier. The Supplier shall indemnify and hold harmless the Purchaser from and against any and all liabilities, damages, claims, fines, penalties, and expenses of whatever nature arising or resulting from the violation of such laws by the Supplier or its personnel, including the Subcontractors and their personnel, but without prejudice to GCC Clause 10.1. The Supplier shall not indemnify the Purchaser to the extent that such liability, damage, claims, fines, penalties, and expenses were caused or contributed to by a fault of the Purchaser.
- 9.6 The Supplier shall, in all dealings with its labor and the labor of its Subcontractors currently employed on or connected with the Contract, pay due regard to all recognized festivals,

official holidays, religious or other customs, and all local laws and regulations pertaining to the employment of labor.

9.7 Any Information Technologies or other Goods and Services that will be incorporated in or be required for the System and other supplies shall have their Origin, as defined in GCC Clause 3.12, in a country that shall be an Eligible Country, as defined in GCC Clause 1.1 (e) (iv).

9.8 Pursuant to paragraph 2.2 e. of Appendix B to the General Conditions the Supplier shall permit and shall cause its subcontractors and subconsultants to permit, the Bank and/or persons appointed by the Bank to inspect the Site and/or the accounts and records relating to the procurement process, selection and/or contract execution, and to have such accounts and records audited by auditors appointed by the Bank if requested by the Bank. The Supplier's and its Subcontractors' and subconsultants' attention is drawn to Sub-Clause 6.1 which provides, inter alia, that acts intended to materially impede the exercise of the Bank's inspection and audit rights constitute a prohibited practice subject to contract termination (as well as to a determination of ineligibility pursuant to the Bank's prevailing sanctions procedures).

9.9 The Supplier shall conform to the sustainable procurement contractual provisions, if and as **specified in the SCC**.

9.10 **Unless otherwise specified in the SCC** the Supplier shall have no other Supplier responsibilities.

10. Purchaser's Responsibilities

10.1 The Purchaser shall ensure the accuracy of all information and/or data to be supplied by the Purchaser to the Supplier, except when otherwise expressly stated in the Contract.

10.2 The Purchaser shall be responsible for timely provision of all resources, information, and decision making under its control that are necessary to reach an Agreed Project Plan (pursuant to GCC Clause 19.2) within the time schedule specified in the Implementation Schedule. Failure to provide such resources, information, and decision making may constitute grounds for Termination pursuant to GCC Clause 41.3.1 (b).

10.3 The Purchaser shall be responsible for acquiring and providing legal and physical possession of the site and access to it, and for providing possession of and access to all other areas reasonably required for the proper execution of the Contract.

- 10.4 If requested by the Supplier, the Purchaser shall use its best endeavors to assist the Supplier in obtaining in a timely and expeditious manner all permits, approvals, and/or licenses necessary for the execution of the Contract from all local, state, or national government authorities or public service undertakings that such authorities or undertakings require the Supplier or Subcontractors or the personnel of the Supplier or Subcontractors, as the case may be, to obtain.
- 10.5 In such cases where the responsibilities of specifying and acquiring or upgrading telecommunications and/or electric power services falls to the Supplier, as specified in the Technical Requirements, SCC, Agreed Project Plan, or other parts of the Contract, the Purchaser shall use its best endeavors to assist the Supplier in obtaining such services in a timely and expeditious manner.
- 10.6 The Purchaser shall be responsible for timely provision of all resources, access, and information necessary for the Installation and Operational Acceptance of the System (including, but not limited to, any required telecommunications or electric power services), as identified in the Agreed Project Plan, except where provision of such items is explicitly identified in the Contract as being the responsibility of the Supplier. Delay by the Purchaser may result in an appropriate extension of the Time for Operational Acceptance, at the Supplier's discretion.
- 10.7 Unless otherwise specified in the Contract or agreed upon by the Purchaser and the Supplier, the Purchaser shall provide sufficient, properly qualified operating and technical personnel, as required by the Supplier to properly carry out Delivery, Pre-commissioning, Installation, Commissioning, and Operational Acceptance, at or before the time specified in the Implementation Schedule and the Agreed Project Plan.
- 10.8 The Purchaser will designate appropriate staff for the training courses to be given by the Supplier and shall make all appropriate logistical arrangements for such training as specified in the Technical Requirements, SCC, the Agreed Project Plan, or other parts of the Contract.
- 10.9 The Purchaser assumes primary responsibility for the Operational Acceptance Test(s) for the System, in accordance with GCC Clause 27.2, and shall be responsible for the continued operation of the System after Operational Acceptance. However, this shall not limit in any way the Supplier's responsibilities after the date of Operational

Acceptance otherwise specified in the Contract.

- 10.10 The Purchaser is responsible for performing and safely storing timely and regular backups of its data and Software in accordance with accepted data management principles, except where such responsibility is clearly assigned to the Supplier elsewhere in the Contract.
- 10.11 All costs and expenses involved in the performance of the obligations under this GCC Clause 10 shall be the responsibility of the Purchaser, save those to be incurred by the Supplier with respect to the performance of the Operational Acceptance Test(s), in accordance with GCC Clause 27.2.
- 10.12 **Unless otherwise specified in the SCC** the Purchaser shall have no other Purchaser responsibilities.

C. PAYMENT

11. Contract Price

- 11.1 The Contract Price shall be as specified in Article 2 (Contract Price and Terms of Payment) of the Contract Agreement.
- 11.2 Unless an adjustment clause is **provided for in the SCC**, the Contract Price shall be a firm lump sum not subject to any alteration, except in the event of a Change in the System pursuant to GCC Clause 39 or to other clauses in the Contract;
- 11.3 The Supplier shall be deemed to have satisfied itself as to the correctness and sufficiency of the Contract Price, which shall, except as otherwise provided for in the Contract, cover all its obligations under the Contract.

12. Terms of Payment

- 12.1 The Supplier's request for payment shall be made to the Purchaser in writing, accompanied by an invoice describing, as appropriate, the System or Subsystem(s), Delivered, Pre-commissioned, Installed, and Operationally Accepted, and by documents submitted pursuant to GCC Clause 22.5 and upon fulfillment of other obligations stipulated in the Contract.

The Contract Price shall be paid as **specified in the SCC**.

- 12.2 No payment made by the Purchaser herein shall be deemed to constitute acceptance by the Purchaser of the System or

any Subsystem(s).

- 12.3 Payments shall be made promptly by the Purchaser, but in no case later than forty five (45) days after submission of a valid invoice by the Supplier. In the event that the Purchaser fails to make any payment by its respective due date or within the period set forth in the Contract, the Purchaser shall pay to the Supplier interest on the amount of such delayed payment at the rate(s) **specified in the SCC** for the period of delay until payment has been made in full, whether before or after judgment or arbitration award.
- 12.4 Payments shall be made in the currency(ies) specified in the Contract Agreement, pursuant to GCC Clause 11. For Goods and Services supplied locally, payments shall be made **as specified in the SCC**.
- 12.5 **Unless otherwise specified in the SCC**, payment of the foreign currency portion of the Contract Price for Goods supplied from outside the Purchaser's Country shall be made to the Supplier through an irrevocable letter of credit opened by an authorized bank in the Supplier's Country and will be payable on presentation of the appropriate documents. It is agreed that the letter of credit will be subject to Article 10 of the latest revision of *Uniform Customs and Practice for Documentary Credits*, published by the International Chamber of Commerce, Paris.

13. Securities

13.1 Issuance of Securities

The Supplier shall provide the securities specified below in favor of the Purchaser at the times and in the amount, manner, and form specified below.

13.2 Advance Payment Security

13.2.1 The Supplier shall provide within twenty-eight (28) days of the notification of Contract award an Advance Payment Security in the amount and currency of the Advance Payment specified in SCC for GCC Clause 12.1 above and valid until the System is Operationally Accepted.

13.2.2 The security shall be in the form provided in the bidding documents or in another form acceptable to the Purchaser. The amount of the security shall be reduced in proportion to the value of the System executed by and paid to the Supplier from time to time

and shall automatically become null and void when the full amount of the advance payment has been recovered by the Purchaser. **Unless otherwise specified in the SCC**, the reduction in value and expiration of the Advance Payment Security are calculated as follows:

$P*a/(100-a)$, where “P” is the sum of all payments effected so far to the Supplier (excluding the Advance Payment), and “a” is the Advance Payment expressed as a percentage of the Contract Price pursuant to the SCC for GCC Clause 12.1.

The security shall be returned to the Supplier immediately after its expiration.

13.3 Performance Security

13.3.1 The Supplier shall, within twenty-eight (28) days of the notification of Contract award, provide a security for the due performance of the Contract in the amount and currency **specified in the SCC**.

13.3.2 The security shall be a bank guarantee in the form provided in the Sample Contractual Forms Section of the bidding documents, or it shall be in another form acceptable to the Purchaser.

13.3.3 The security shall automatically become null and void once all the obligations of the Supplier under the Contract have been fulfilled, including, but not limited to, any obligations during the Warranty Period and any extensions to the period. The security shall be returned to the Supplier no later than twenty-eight (28) days after its expiration.

13.3.4 Upon Operational Acceptance of the entire System, the security shall be reduced to the amount **specified in the SCC**, on the date of the Operational Acceptance, so that the reduced security would only cover the remaining warranty obligations of the Supplier.

14. Taxes and Duties

14.1 For Goods or Services supplied from outside the Purchaser’s country, the Supplier shall be entirely responsible for all taxes, stamp duties, license fees, and other such levies imposed outside the Purchaser’s country. Any duties, such as importation or customs duties, and taxes and other levies,

payable in the Purchaser's country for the supply of Goods and Services from outside the Purchaser's country are the responsibility of the Purchaser unless these duties or taxes have been made part of the Contract Price in Article 2 of the Contract Agreement and the Price Schedule it refers to, in which case the duties and taxes will be the Supplier's responsibility.

14.2 For Goods or Services supplied locally, the Supplier shall be entirely responsible for all taxes, duties, license fees, etc., incurred until delivery of the contracted Goods or Services to the Purchaser. The only exception are taxes or duties, such as value-added or sales tax or stamp duty as apply to, or are clearly identifiable, on the invoices and provided they apply in the Purchaser's country, and only if these taxes, levies and/or duties are also excluded from the Contract Price in Article 2 of the Contract Agreement and the Price Schedule it refers to.

14.3 If any tax exemptions, reductions, allowances, or privileges may be available to the Supplier in the Purchaser's Country, the Purchaser shall use its best efforts to enable the Supplier to benefit from any such tax savings to the maximum allowable extent.

14.4 For the purpose of the Contract, it is agreed that the Contract Price specified in Article 2 (Contract Price and Terms of Payment) of the Contract Agreement is based on the taxes, duties, levies, and charges prevailing at the date twenty-eight (28) days prior to the date of bid submission in the Purchaser's Country (also called "Tax" in this GCC Clause 14.4). If any Tax rates are increased or decreased, a new Tax is introduced, an existing Tax is abolished, or any change in interpretation or application of any Tax occurs in the course of the performance of the Contract, which was or will be assessed on the Supplier, its Subcontractors, or their employees in connection with performance of the Contract, an equitable adjustment to the Contract Price shall be made to fully take into account any such change by addition to or reduction from the Contract Price, as the case may be.

D. INTELLECTUAL PROPERTY

15. Copyright

15.1 The Intellectual Property Rights in all Standard Software and Standard Materials shall remain vested in the owner of such

rights.

15.2 The Purchaser agrees to restrict use, copying, or duplication of the Standard Software and Standard Materials in accordance with GCC Clause 16, except that additional copies of Standard Materials may be made by the Purchaser for use within the scope of the project of which the System is a part, in the event that the Supplier does not deliver copies within thirty (30) days from receipt of a request for such Standard Materials.

15.3 The Purchaser's contractual rights to use the Standard Software or elements of the Standard Software may not be assigned, licensed, or otherwise transferred voluntarily except in accordance with the relevant license agreement or **unless otherwise specified in the SCC** to a legally constituted successor organization (e.g., a reorganization of a public entity formally authorized by the government or through a merger or acquisition of a private entity).

15.4 **Unless otherwise specified in the SCC**, the Intellectual Property Rights in all Custom Software and Custom Materials specified in Appendices 4 and 5 of the Contract Agreement (if any) shall, at the date of this Contract or on creation of the rights (if later than the date of this Contract), vest in the Purchaser. The Supplier shall do and execute or arrange for the doing and executing of each necessary act, document, and thing that the Purchaser may consider necessary or desirable to perfect the right, title, and interest of the Purchaser in and to those rights. In respect of such Custom Software and Custom Materials, the Supplier shall ensure that the holder of a moral right in such an item does not assert it, and the Supplier shall, if requested to do so by the Purchaser and where permitted by applicable law, ensure that the holder of such a moral right waives it.

15.5 **Unless otherwise specified in the SCC**, escrow arrangements shall NOT be required.

16. Software License Agreements

16.1 Except to the extent that the Intellectual Property Rights in the Software vest in the Purchaser, the Supplier hereby grants to the Purchaser license to access and use the Software, including all inventions, designs, and marks embodied in the Software.

Such license to access and use the Software shall:

- (a) be:
 - (i) nonexclusive;
 - (ii) fully paid up and irrevocable (except that it shall terminate if the Contract terminates under GCC Clauses 41.1 or 41.3);
 - (iii) **unless otherwise specified in the SCC** valid throughout the territory of the Purchaser's Country;
 - (iv) **unless otherwise specified in the SCC** subject to NO additional restrictions.
- (b) permit the Software to be:
 - (i) used or copied for use on or with the computer(s) for which it was acquired (if specified in the Technical Requirements and/or the Supplier's bid), plus a backup computer(s) of the same or similar capacity, if the primary is(are) inoperative, and during a reasonable transitional period when use is being transferred between primary and backup;
 - (ii) used or copied for use on or transferred to a replacement computer(s), (and use on the original and replacement computer(s) may be simultaneous during a reasonable transitional period) provided that, if the Technical Requirements and/or the Supplier's bid specifies a class of computer to which the license is restricted, the replacement computer(s) is(are) within that class;
 - (iii) if the nature of the System is such as to permit such access, accessed from other computers connected to the primary and/or backup computer(s) by means of a local or wide-area network or similar arrangement, and used on or copied for use on those other computers to the extent necessary to that access;
 - (iv) reproduced for safekeeping or backup purposes;
 - (v) customized, adapted, or combined with other computer software for use by the Purchaser, provided that derivative software incorporating

any substantial part of the delivered, restricted Software shall be subject to same restrictions as are set forth in this Contract;

- (vi) **unless otherwise specified in the SCC**, disclosed to, and reproduced for use by, support service suppliers and their subcontractors, (and the Purchaser may sublicense such persons to use and copy for use the Software) to the extent reasonably necessary to the performance of their support service contracts, subject to the same restrictions as are set forth in this Contract; and
- (vii) **unless otherwise specified in the SCC** disclosed to, and reproduced for use by, NO other parties.

16.2 The Supplier has the right to audit the Standard Software to verify compliance with the above license agreements. **Unless otherwise specified in the SCC**, the Purchaser will make available to the Supplier, within seven (7) days of a written request, accurate and up-to-date records of the number and location of copies, the number of authorized users, or any other relevant data required to demonstrate use of the Standard Software as per the license agreement. If and only if, expressly agreed in writing between the Purchaser and the Supplier, Purchaser will allow, under a pre-specified agreed procedure, the execution of embedded software functions under Supplier's control, and unencumbered transmission of resulting information on software usage.

17. Confidential Information

17.1 **Unless otherwise specified in the SCC**, the "Receiving Party" (either the Purchaser or the Supplier) shall keep confidential and shall not, without the written consent of the other party to this Contract ("the Disclosing Party"), divulge to any third party any documents, data, or other information of a confidential nature ("Confidential Information") connected with this Contract, and furnished directly or indirectly by the Disclosing Party prior to or during performance, or following termination, of this Contract.

17.2 For the purposes of GCC Clause 17.1, the Supplier is also deemed to be the Receiving Party of Confidential Information generated by the Supplier itself in the course of the performance of its obligations under the Contract and relating to the businesses, finances, suppliers, employees, or other contacts of the Purchaser or the Purchaser's use of the

System.

17.3 Notwithstanding GCC Clauses 17.1 and 17.2:

- (a) the Supplier may furnish to its Subcontractor Confidential Information of the Purchaser to the extent reasonably required for the Subcontractor to perform its work under the Contract; and
- (b) the Purchaser may furnish Confidential Information of the Supplier: (i) to its support service suppliers and their subcontractors to the extent reasonably required for them to perform their work under their support service contracts; and (ii) to its affiliates and subsidiaries,

in which event the Receiving Party shall ensure that the person to whom it furnishes Confidential Information of the Disclosing Party is aware of and abides by the Receiving Party's obligations under this GCC Clause 17 as if that person were party to the Contract in place of the Receiving Party.

17.4 The Purchaser shall not, without the Supplier's prior written consent, use any Confidential Information received from the Supplier for any purpose other than the operation, maintenance and further development of the System. Similarly, the Supplier shall not, without the Purchaser's prior written consent, use any Confidential Information received from the Purchaser for any purpose other than those that are required for the performance of the Contract.

17.5 The obligation of a party under GCC Clauses 17.1 through 17.4 above, however, shall not apply to that information which:

- (a) now or hereafter enters the public domain through no fault of the Receiving Party;
- (b) can be proven to have been possessed by the Receiving Party at the time of disclosure and that was not previously obtained, directly or indirectly, from the Disclosing Party;
- (c) otherwise lawfully becomes available to the Receiving Party from a third party that has no obligation of confidentiality.

17.6 The above provisions of this GCC Clause 17 shall not in any

way modify any undertaking of confidentiality given by either of the parties to this Contract prior to the date of the Contract in respect of the System or any part thereof.

- 17.7 **Unless otherwise specified in the SCC**, the provisions of this GCC Clause 17 shall survive the termination, for whatever reason, of the Contract for three (3) years.

E. SUPPLY, INSTALLATION, TESTING, COMMISSIONING, AND ACCEPTANCE OF THE SYSTEM

18. Representatives 18.1 Project Manager

If the Project Manager is not named in the Contract, then within fourteen (14) days of the Effective Date, the Purchaser shall appoint and notify the Supplier in writing of the name of the Project Manager. The Purchaser may from time to time appoint some other person as the Project Manager in place of the person previously so appointed and shall give a notice of the name of such other person to the Supplier without delay. No such appointment shall be made at such a time or in such a manner as to impede the progress of work on the System. Such appointment shall take effect only upon receipt of such notice by the Supplier. **Unless otherwise specified in the SCC** (if any), the Project Manager shall have the authority to represent the Purchaser on all day-to-day matters relating to the System or arising from the Contract, and shall normally be the person giving or receiving notices on behalf of the Purchaser pursuant to GCC Clause 4.

18.2 Supplier's Representative

18.2.1 If the Supplier's Representative is not named in the Contract, then within fourteen (14) days of the Effective Date, the Supplier shall appoint the Supplier's Representative and shall request the Purchaser in writing to approve the person so appointed. The request must be accompanied by a detailed curriculum vitae for the nominee, as well as a description of any other System or non-System responsibilities the nominee would retain while performing the duties of the Supplier's Representative. If the Purchaser does not object to the appointment within fourteen (14) days, the Supplier's Representative shall be deemed to have been

approved. If the Purchaser objects to the appointment within fourteen (14) days giving the reason therefor, then the Supplier shall appoint a replacement within fourteen (14) days of such objection in accordance with this GCC Clause 18.2.1.

18.2.2 **Unless otherwise specified in the SCC** (if any), the Supplier's Representative shall have the authority to represent the Supplier on all day-to-day matters relating to the System or arising from the Contract, and shall normally be the person giving or receiving notices on behalf of the Supplier pursuant to GCC Clause 4.

18.2.3 The Supplier shall not revoke the appointment of the Supplier's Representative without the Purchaser's prior written consent, which shall not be unreasonably withheld. If the Purchaser consents to such an action, the Supplier shall appoint another person of equal or superior qualifications as the Supplier's Representative, pursuant to the procedure set out in GCC Clause 18.2.1.

18.2.4 The Supplier's Representative and staff are obliged to work closely with the Purchaser's Project Manager and staff, act within their own authority, and abide by directives issued by the Purchaser that are consistent with the terms of the Contract. The Supplier's Representative is responsible for managing the activities of its personnel and any subcontracted personnel.

18.2.5 The Supplier's Representative may, subject to the approval of the Purchaser (which shall not be unreasonably withheld), at any time delegate to any person any of the powers, functions, and authorities vested in him or her. Any such delegation may be revoked at any time. Any such delegation or revocation shall be subject to a prior notice signed by the Supplier's Representative and shall specify the powers, functions, and authorities thereby delegated or revoked. No such delegation or revocation shall take effect unless and until the notice of it has been delivered.

18.2.6 Any act or exercise by any person of powers, functions and authorities so delegated to him or her in accordance with GCC Clause 18.2.5 shall be deemed

to be an act or exercise by the Supplier's Representative.

18.3 Objections and Removals

18.3.1 The Purchaser may by notice to the Supplier object to any representative or person employed by the Supplier in the execution of the Contract who, in the reasonable opinion of the Purchaser, may have behaved inappropriately, be incompetent, or be negligent. The Purchaser shall provide evidence of the same, whereupon the Supplier shall remove such person from work on the System.

18.3.2 If any representative or person employed by the Supplier is removed in accordance with GCC Clause 18.3.1, the Supplier shall, where required, promptly appoint a replacement.

19. Project Plan

19.1 In close cooperation with the Purchaser and based on the Preliminary Project Plan included in the Supplier's bid, the Supplier shall develop a Project Plan encompassing the activities specified in the Contract. The contents of the Project Plan shall be as **specified in the SCC** and/or Technical Requirements.

19.2 **Unless otherwise specified in the SCC**, within thirty (30) days from the Effective Date of the Contract, the Supplier shall present a Project Plan to the Purchaser. The Purchaser shall, within fourteen (14) days of receipt of the Project Plan, notify the Supplier of any respects in which it considers that the Project Plan does not adequately ensure that the proposed program of work, proposed methods, and/or proposed Information Technologies will satisfy the Technical Requirements and/or the SCC (in this Clause 19.2 called "non-conformities" below). The Supplier shall, within five (5) days of receipt of such notification, correct the Project Plan and resubmit to the Purchaser. The Purchaser shall, within five (5) days of resubmission of the Project Plan, notify the Supplier of any remaining non-conformities. This procedure shall be repeated as necessary until the Project Plan is free from non-conformities. When the Project Plan is free from non-conformities, the Purchaser shall provide confirmation in writing to the Supplier. This approved Project Plan ("the Agreed Project Plan") shall be contractually binding on the Purchaser and the Supplier.

19.3 If required, the impact on the Implementation Schedule of

modifications agreed during finalization of the Agreed Project Plan shall be incorporated in the Contract by amendment, in accordance with GCC Clauses 39 and 40.

19.4 The Supplier shall undertake to supply, install, test, and commission the System in accordance with the Agreed Project Plan and the Contract.

19.5 **Unless otherwise specified in the SCC**, the Supplier shall submit to the Purchaser Monthly Progress Reports summarizing:

- (i) results accomplished during the prior period;
- (ii) cumulative deviations to date from schedule of progress milestones as specified in the Agreed Project Plan;
- (iii) corrective actions to be taken to return to planned schedule of progress; proposed revisions to planned schedule;
- (iv) other issues and outstanding problems; proposed actions to be taken;
- (v) resources that the Supplier expects to be provided by the Purchaser and/or actions to be taken by the Purchaser in the next reporting period;
- (vi) other issues or potential problems the Supplier foresees that could impact on project progress and/or effectiveness.

19.6 The Supplier shall submit to the Purchaser other (periodic) reports **as specified in the SCC**.

20. Subcontracting

20.1 Appendix 3 (List of Approved Subcontractors) to the Contract Agreement specifies critical items of supply or services and a list of Subcontractors for each item that are considered acceptable by the Purchaser. If no Subcontractors are listed for an item, the Supplier shall prepare a list of Subcontractors it considers qualified and wishes to be added to the list for such items. The Supplier may from time to time propose additions to or deletions from any such list. The Supplier shall submit any such list or any modification to the list to the Purchaser for its approval in sufficient time so as not to impede the progress of work on

the System. The Purchaser shall not withhold such approval unreasonably. Such approval by the Purchaser of a Subcontractor(s) shall not relieve the Supplier from any of its obligations, duties, or responsibilities under the Contract.

- 20.2 The Supplier may, at its discretion, select and employ Subcontractors for such critical items from those Subcontractors listed pursuant to GCC Clause 20.1. If the Supplier wishes to employ a Subcontractor not so listed, or subcontract an item not so listed, it must seek the Purchaser's prior approval under GCC Clause 20.3.
- 20.3 For items for which pre-approved Subcontractor lists have not been specified in Appendix 3 to the Contract Agreement, the Supplier may employ such Subcontractors as it may select, provided: (i) the Supplier notifies the Purchaser in writing at least twenty-eight (28) days prior to the proposed mobilization date for such Subcontractor; and (ii) by the end of this period either the Purchaser has granted its approval in writing or fails to respond. The Supplier shall not engage any Subcontractor to which the Purchaser has objected in writing prior to the end of the notice period. The absence of a written objection by the Purchaser during the above specified period shall constitute formal acceptance of the proposed Subcontractor. Except to the extent that it permits the deemed approval of the Purchaser of Subcontractors not listed in the Contract Agreement, nothing in this Clause, however, shall limit the rights and obligations of either the Purchaser or Supplier as they are specified in GCC Clauses 20.1 and 20.2, or in Appendix 3 of the Contract Agreement.

21. Design and Engineering

21.1 Technical Specifications and Drawings

21.1.1 The Supplier shall execute the basic and detailed design and the implementation activities necessary for successful installation of the System in compliance with the provisions of the Contract or, where not so specified, in accordance with good industry practice.

The Supplier shall be responsible for any discrepancies, errors or omissions in the specifications, drawings, and other technical documents that it has prepared, whether such specifications, drawings, and other documents have been approved by the Project Manager or not, provided that such discrepancies, errors, or omissions are not because of inaccurate information furnished in

writing to the Supplier by or on behalf of the Purchaser.

21.1.2 The Supplier shall be entitled to disclaim responsibility for any design, data, drawing, specification, or other document, or any modification of such design, drawings, specification, or other documents provided or designated by or on behalf of the Purchaser, by giving a notice of such disclaimer to the Project Manager.

21.2 Codes and Standards

Wherever references are made in the Contract to codes and standards in accordance with which the Contract shall be executed, the edition or the revised version of such codes and standards current at the date twenty-eight (28) days prior to date of bid submission shall apply. During Contract execution, any changes in such codes and standards shall be applied after approval by the Purchaser and shall be treated in accordance with GCC Clause 39.3.

21.3 Approval/Review of Controlling Technical Documents by the Project Manager

21.3.1 **Unless otherwise specified in the SCC**, there will NO Controlling Technical Documents required. However, **if the SCC specifies** Controlling Technical Documents, the Supplier shall prepare and furnish such documents for the Project Manager's approval or review.

Any part of the System covered by or related to the documents to be approved by the Project Manager shall be executed only after the Project Manager's approval of these documents.

GCC Clauses 21.3.2 through 21.3.7 shall apply to those documents requiring the Project Manager's approval, but not to those furnished to the Project Manager for its review only.

21.3.2 Within fourteen (14) days after receipt by the Project Manager of any document requiring the Project Manager's approval in accordance with GCC Clause 21.3.1, the Project Manager shall either return one copy of the document to the Supplier with its approval endorsed on the document or shall notify the Supplier

in writing of its disapproval of the document and the reasons for disapproval and the modifications that the Project Manager proposes. If the Project Manager fails to take such action within the fourteen (14) days, then the document shall be deemed to have been approved by the Project Manager.

21.3.3 The Project Manager shall not disapprove any document except on the grounds that the document does not comply with some specified provision of the Contract or that it is contrary to good industry practice.

21.3.4 If the Project Manager disapproves the document, the Supplier shall modify the document and resubmit it for the Project Manager's approval in accordance with GCC Clause 21.3.2. If the Project Manager approves the document subject to modification(s), the Supplier shall make the required modification(s), and the document shall then be deemed to have been approved, subject to GCC Clause 21.3.5. The procedure set out in GCC Clauses 21.3.2 through 21.3.4 shall be repeated, as appropriate, until the Project Manager approves such documents.

21.3.5 If any dispute occurs between the Purchaser and the Supplier in connection with or arising out of the disapproval by the Project Manager of any document and/or any modification(s) to a document that cannot be settled between the parties within a reasonable period, then, in case the Contract Agreement includes and names an Adjudicator, such dispute may be referred to the Adjudicator for determination in accordance with GCC Clause 43.1 (Adjudication). If such dispute is referred to an Adjudicator, the Project Manager shall give instructions as to whether and if so, how, performance of the Contract is to proceed. The Supplier shall proceed with the Contract in accordance with the Project Manager's instructions, provided that if the Adjudicator upholds the Supplier's view on the dispute and if the Purchaser has not given notice under GCC Clause 43.1.2, then the Supplier shall be reimbursed by the Purchaser for any additional costs incurred by reason of such instructions and shall be relieved of such responsibility or liability in connection with the dispute and the execution of the instructions as the

Adjudicator shall decide, and the Time for Achieving Operational Acceptance shall be extended accordingly.

21.3.6 The Project Manager's approval, with or without modification of the document furnished by the Supplier, shall not relieve the Supplier of any responsibility or liability imposed upon it by any provisions of the Contract except to the extent that any subsequent failure results from modifications required by the Project Manager or inaccurate information furnished in writing to the Supplier by or on behalf of the Purchaser.

21.3.7 The Supplier shall not depart from any approved document unless the Supplier has first submitted to the Project Manager an amended document and obtained the Project Manager's approval of the document, pursuant to the provisions of this GCC Clause 21.3. If the Project Manager requests any change in any already approved document and/or in any document based on such an approved document, the provisions of GCC Clause 39 (Changes to the System) shall apply to such request.

22. Procurement, Delivery, and Transport

22.1 Subject to related Purchaser's responsibilities pursuant to GCC Clauses 10 and 14, the Supplier shall manufacture or procure and transport all the Information Technologies, Materials, and other Goods in an expeditious and orderly manner to the Project Site.

22.2 Delivery of the Information Technologies, Materials, and other Goods shall be made by the Supplier in accordance with the Technical Requirements.

22.3 Early or partial deliveries require the explicit written consent of the Purchaser, which consent shall not be unreasonably withheld.

22.4 Transportation

22.4.1 The Supplier shall provide such packing of the Goods as is required to prevent their damage or deterioration during shipment. The packing, marking, and documentation within and outside the packages shall comply strictly with the Purchaser's instructions to the Supplier.

22.4.2 The Supplier will bear responsibility for and cost of transport to the Project Sites in accordance with the terms and conditions used in the specification of prices in the Price Schedules, including the terms and conditions of the associated Incoterms.

22.4.3 **Unless otherwise specified in the SCC**, the Supplier shall be free to use transportation through carriers registered in any eligible country and to obtain insurance from any eligible source country.

22.5 **Unless otherwise specified in the SCC**, the Supplier will provide the Purchaser with shipping and other documents, as specified below:

22.5.1 For Goods supplied from outside the Purchaser's Country:

Upon shipment, the Supplier shall notify the Purchaser and the insurance company contracted by the Supplier to provide cargo insurance by cable, facsimile, electronic mail, or EDI with the full details of the shipment. The Supplier shall promptly send the following documents to the Purchaser by mail or courier, as appropriate, with a copy to the cargo insurance company:

- (a) two copies of the Supplier's invoice showing the description of the Goods, quantity, unit price, and total amount;
- (b) usual transportation documents;
- (c) insurance certificate;
- (d) certificate(s) of origin; and
- (e) estimated time and point of arrival in the Purchaser's Country and at the site.

22.5.2 For Goods supplied locally (i.e., from within the Purchaser's country):

Upon shipment, the Supplier shall notify the Purchaser by cable, facsimile, electronic mail, or EDI with the full details of the shipment. The Supplier shall promptly send the following documents to the Purchaser by mail or courier, as appropriate:

- (a) two copies of the Supplier's invoice showing the Goods' description, quantity, unit price, and total amount;
- (b) delivery note, railway receipt, or truck receipt;
- (c) certificate of insurance;
- (d) certificate(s) of origin; and
- (e) estimated time of arrival at the site.

22.6 Customs Clearance

- (a) The Purchaser will bear responsibility for, and cost of, customs clearance into the Purchaser's country in accordance the particular Incoterm(s) used for Goods supplied from outside the Purchaser's country in the Price Schedules referred to by Article 2 of the Contract Agreement.
- (b) At the request of the Purchaser, the Supplier will make available a representative or agent during the process of customs clearance in the Purchaser's country for goods supplied from outside the Purchaser's country. In the event of delays in customs clearance that are not the fault of the Supplier:
 - (i) the Supplier shall be entitled to an extension in the Time for Achieving Operational Acceptance, pursuant to GCC Clause 40;
 - (ii) the Contract Price shall be adjusted to compensate the Supplier for any additional storage charges that the Supplier may incur as a result of the delay.

23. Product Upgrades

23.1 At any point during performance of the Contract, should technological advances be introduced by the Supplier for Information Technologies originally offered by the Supplier in its bid and still to be delivered, the Supplier shall be obligated to offer to the Purchaser the latest versions of the available Information Technologies having equal or better performance or functionality at the same or lesser unit prices, pursuant to GCC Clause 39 (Changes to the System).

23.2 At any point during performance of the Contract, for Information Technologies still to be delivered, the Supplier will also pass on to the Purchaser any cost reductions and

additional and/or improved support and facilities that it offers to other clients of the Supplier in the Purchaser's Country, pursuant to GCC Clause 39 (Changes to the System).

23.3 During performance of the Contract, the Supplier shall offer to the Purchaser all new versions, releases, and updates of Standard Software, as well as related documentation and technical support services, within thirty (30) days of their availability from the Supplier to other clients of the Supplier in the Purchaser's Country, and no later than twelve (12) months after they are released in the country of origin. In no case will the prices for these Software exceed those quoted by the Supplier in the Recurrent Costs tables in its bid.

23.4 **Unless otherwise specified in the SCC**, during the Warranty Period, the Supplier will provide at no additional cost to the Purchaser all new versions, releases, and updates for all Standard Software that are used in the System, within thirty (30) days of their availability from the Supplier to other clients of the Supplier in the Purchaser's country, and no later than twelve (12) months after they are released in the country of origin of the Software.

23.5 The Purchaser shall introduce all new versions, releases or updates of the Software within eighteen (18) months of receipt of a production-ready copy of the new version, release, or update, provided that the new version, release, or update does not adversely affect System operation or performance or require extensive reworking of the System. In cases where the new version, release, or update adversely affects System operation or performance, or requires extensive reworking of the System, the Supplier shall continue to support and maintain the version or release previously in operation for as long as necessary to allow introduction of the new version, release, or update. In no case shall the Supplier stop supporting or maintaining a version or release of the Software less than twenty four (24) months after the Purchaser receives a production-ready copy of a subsequent version, release, or update. The Purchaser shall use all reasonable endeavors to implement any new version, release, or update as soon as practicable, subject to the twenty-four-month-long stop date.

**24. Implementation,
Installation, and
Other Services**

24.1 The Supplier shall provide all Services specified in the Contract and Agreed Project Plan in accordance with the highest standards of professional competence and integrity.

24.2 Prices charged by the Supplier for Services, if not included in the Contract, shall be agreed upon in advance by the parties (including, but not restricted to, any prices submitted by the Supplier in the Recurrent Cost Schedules of its Bid) and shall not exceed the prevailing rates charged by the Supplier to other purchasers in the Purchaser's Country for similar services.

25. Inspections and Tests

25.1 The Purchaser or its representative shall have the right to inspect and/or test any components of the System, as specified in the Technical Requirements, to confirm their good working order and/or conformity to the Contract at the point of delivery and/or at the Project Site.

25.2 The Purchaser or its representative shall be entitled to attend any such inspections and/or tests of the components, provided that the Purchaser shall bear all costs and expenses incurred in connection with such attendance, including but not limited to all inspection agent fees, travel, and related expenses.

25.3 Should the inspected or tested components fail to conform to the Contract, the Purchaser may reject the component(s), and the Supplier shall either replace the rejected component(s), or make alterations as necessary so that it meets the Contract requirements free of cost to the Purchaser.

25.4 The Project Manager may require the Supplier to carry out any inspection and/or test not specified in the Contract, provided that the Supplier's reasonable costs and expenses incurred in the carrying out of such inspection and/or test shall be added to the Contract Price. Further, if such inspection and/or test impedes the progress of work on the System and/or the Supplier's performance of its other obligations under the Contract, due allowance will be made in respect of the Time for Achieving Operational Acceptance and the other obligations so affected.

25.5 If any dispute shall arise between the parties in connection with or caused by an inspection and/or with regard to any component to be incorporated in the System that cannot be settled amicably between the parties within a reasonable period of time, either party may invoke the process pursuant to GCC Clause 43 (Settlement of Disputes), starting with referral of the matter to the Adjudicator in case an Adjudicator is included and named in the Contract Agreement.

26. Installation of the System

26.1 As soon as the System, or any Subsystem, has, in the opinion of the Supplier, been delivered, Pre-commissioned, and made ready for Commissioning and Operational Acceptance Testing in accordance with the Technical Requirements, the SCC and the Agreed Project Plan, the Supplier shall so notify the Purchaser in writing.

26.2 The Project Manager shall, within fourteen (14) days after receipt of the Supplier's notice under GCC Clause 26.1, either issue an Installation Certificate in the form specified in the Sample Contractual Forms Section in the bidding documents, stating that the System, or major component or Subsystem (if Acceptance by major component or Subsystem is specified pursuant to the SCC for GCC Clause 27.2.1), has achieved Installation by the date of the Supplier's notice under GCC Clause 26.1, or notify the Supplier in writing of any defects and/or deficiencies, including, but not limited to, defects or deficiencies in the interoperability or integration of the various components and/or Subsystems making up the System. The Supplier shall use all reasonable endeavors to promptly remedy any defect and/or deficiencies that the Project Manager has notified the Supplier of. The Supplier shall then promptly carry out retesting of the System or Subsystem and, when in the Supplier's opinion the System or Subsystem is ready for Commissioning and Operational Acceptance Testing, notify the Purchaser in writing, in accordance with GCC Clause 26.1. The procedure set out in this GCC Clause 26.2 shall be repeated, as necessary, until an Installation Certificate is issued.

26.3 If the Project Manager fails to issue the Installation Certificate and fails to inform the Supplier of any defects and/or deficiencies within fourteen (14) days after receipt of the Supplier's notice under GCC Clause 26.1, or if the Purchaser puts the System or a Subsystem into production operation, then the System (or Subsystem) shall be deemed to have achieved successful Installation as of the date of the Supplier's notice or repeated notice, or when the Purchaser put the System into production operation, as the case may be.

27. Commissioning and Operational Acceptance

27.1 Commissioning

27.1.1 Commissioning of the System (or Subsystem if specified pursuant to the SCC for GCC Clause 27.2.1) shall be commenced by the Supplier:

- (a) immediately after the Installation Certificate is

issued by the Project Manager, pursuant to GCC Clause 26.2; or

- (b) as otherwise specified in the Technical Requirement or the Agreed Project Plan; or
- (c) immediately after Installation is deemed to have occurred, under GCC Clause 26.3.

27.1.2 The Purchaser shall supply the operating and technical personnel and all materials and information reasonably required to enable the Supplier to carry out its obligations with respect to Commissioning.

Production use of the System or Subsystem(s) shall not commence prior to the start of formal Operational Acceptance Testing.

27.2 Operational Acceptance Tests

27.2.1 The Operational Acceptance Tests (and repeats of such tests) shall be the primary responsibility of the Purchaser (in accordance with GCC Clause 10.9), but shall be conducted with the full cooperation of the Supplier during Commissioning of the System (or major components or Subsystem[s]), to ascertain whether the System (or major component or Subsystem[s]) conforms to the Technical Requirements and meets the standard of performance quoted in the Supplier's bid, including, but not restricted to, the functional and technical performance requirements. **Unless otherwise specified in the SCC**, the Operational Acceptance Tests during Commissioning will be conducted as specified in the Technical Requirements and/or the Agreed Project Plan.

At the Purchaser's discretion, Operational Acceptance Tests may also be performed on replacement Goods, upgrades and new version releases, and Goods that are added or field-modified after Operational Acceptance of the System.

27.2.2 If for reasons attributable to the Purchaser, the Operational Acceptance Test of the System (or Subsystem[s] or major components, pursuant to the SCC for GCC Clause 27.2.1) cannot be successfully completed within ninety (90) days from the date of

Installation or any other period agreed upon in writing by the Purchaser and the Supplier, the Supplier shall be deemed to have fulfilled its obligations with respect to the technical and functional aspects of the Technical Specifications, SCC and/or the Agreed Project Plan, and GCC Clause 28.2 and 28.3 shall not apply.

27.3 Operational Acceptance

27.3.1 Subject to GCC Clause 27.4 (Partial Acceptance) below, Operational Acceptance shall occur in respect of the System, when

- (a) the Operational Acceptance Tests, as specified in the Technical Requirements, and/or SCC and/or the Agreed Project Plan have been successfully completed; or
- (b) the Operational Acceptance Tests have not been successfully completed or have not been carried out for reasons that are attributable to the Purchaser within the period from the date of Installation or any other agreed-upon period as specified in GCC Clause 27.2.2 above; or
- (c) the Purchaser has put the System into production or use for sixty (60) consecutive days. If the System is put into production or use in this manner, the Supplier shall notify the Purchaser and document such use.

27.3.2 At any time after any of the events set out in GCC Clause 27.3.1 have occurred, the Supplier may give a notice to the Project Manager requesting the issue of an Operational Acceptance Certificate.

27.3.3 After consultation with the Purchaser, and within fourteen (14) days after receipt of the Supplier's notice, the Project Manager shall:

- (a) issue an Operational Acceptance Certificate; or
- (b) notify the Supplier in writing of any defect or deficiencies or other reason for the failure of the Operational Acceptance Tests; or
- (c) issue the Operational Acceptance Certificate, if the situation covered by GCC Clause 27.3.1 (b)

arises.

27.3.4 The Supplier shall use all reasonable endeavors to promptly remedy any defect and/or deficiencies and/or other reasons for the failure of the Operational Acceptance Test that the Project Manager has notified the Supplier of. Once such remedies have been made by the Supplier, the Supplier shall notify the Purchaser, and the Purchaser, with the full cooperation of the Supplier, shall use all reasonable endeavors to promptly carry out retesting of the System or Subsystem. Upon the successful conclusion of the Operational Acceptance Tests, the Supplier shall notify the Purchaser of its request for Operational Acceptance Certification, in accordance with GCC Clause 27.3.3. The Purchaser shall then issue to the Supplier the Operational Acceptance Certification in accordance with GCC Clause 27.3.3 (a), or shall notify the Supplier of further defects, deficiencies, or other reasons for the failure of the Operational Acceptance Test. The procedure set out in this GCC Clause 27.3.4 shall be repeated, as necessary, until an Operational Acceptance Certificate is issued.

27.3.5 If the System or Subsystem fails to pass the Operational Acceptance Test(s) in accordance with GCC Clause 27.2, then either:

(a) the Purchaser may consider terminating the Contract, pursuant to GCC Clause 41.2.2;

or

(b) if the failure to achieve Operational Acceptance within the specified time period is a result of the failure of the Purchaser to fulfill its obligations under the Contract, then the Supplier shall be deemed to have fulfilled its obligations with respect to the relevant technical and functional aspects of the Contract, and GCC Clauses 30.3 and 30.4 shall not apply.

27.3.6 If within fourteen (14) days after receipt of the Supplier's notice the Project Manager fails to issue the Operational Acceptance Certificate or fails to inform the Supplier in writing of the justifiable reasons why the Project Manager has not issued the Operational Acceptance Certificate, the System or Subsystem shall

be deemed to have been accepted as of the date of the Supplier's said notice.

27.4 Partial Acceptance

27.4.1 If so specified in the SCC for GCC Clause 27.2.1, Installation and Commissioning shall be carried out individually for each identified major component or Subsystem(s) of the System. In this event, the provisions in the Contract relating to Installation and Commissioning, including the Operational Acceptance Test, shall apply to each such major component or Subsystem individually, and Operational Acceptance Certificate(s) shall be issued accordingly for each such major component or Subsystem of the System, subject to the limitations contained in GCC Clause 27.4.2.

27.4.2 The issuance of Operational Acceptance Certificates for individual major components or Subsystems pursuant to GCC Clause 27.4.1 shall not relieve the Supplier of its obligation to obtain an Operational Acceptance Certificate for the System as an integrated whole (if so specified in the SCC for GCC Clauses 12.1 and 27.2.1) once all major components and Subsystems have been supplied, installed, tested, and commissioned.

27.4.3 In the case of minor components for the System that by their nature do not require Commissioning or an Operational Acceptance Test (e.g., minor fittings, furnishings or site works, etc.), the Project Manager shall issue an Operational Acceptance Certificate within fourteen (14) days after the fittings and/or furnishings have been delivered and/or installed or the site works have been completed. The Supplier shall, however, use all reasonable endeavors to promptly remedy any defects or deficiencies in such minor components detected by the Purchaser or Supplier.

F. GUARANTEES AND LIABILITIES

28. Operational Acceptance Time Guarantee

28.1 The Supplier guarantees that it shall complete the supply, Installation, Commissioning, and achieve Operational Acceptance of the System (or Subsystems, pursuant to the SCC for GCC Clause 27.2.1) within the time periods specified in the Implementation Schedule and/or the Agreed Project Plan pursuant to GCC Clause 8.2, or within such

extended time to which the Supplier shall be entitled under GCC Clause 40 (Extension of Time for Achieving Operational Acceptance).

28.2 Unless otherwise specified in the SCC, if the Supplier fails to supply, install, commission, and achieve Operational Acceptance of the System (or Subsystems pursuant to the SCC for GCC Clause 27.2.1) within the time for achieving Operational Acceptance specified in the Implementation Schedule or the Agreed Project Plan, or any extension of the time for achieving Operational Acceptance previously granted under GCC Clause 40 (Extension of Time for Achieving Operational Acceptance), the Supplier shall pay to the Purchaser liquidated damages at the rate of one half of one percent per week as a percentage of the Contract Price (exclusive of Recurrent Costs if any), or the relevant part of the Contract Price if a Subsystem has not achieved Operational Acceptance. The aggregate amount of such liquidated damages shall in no event exceed the amount of ten (10) percent of the Contract Price (exclusive of Recurrent Costs if any). Once the Maximum is reached, the Purchaser may consider termination of the Contract, pursuant to GCC Clause 41.2.2.

28.3 Unless otherwise specified in the SCC, liquidated damages payable under GCC Clause 28.2 shall apply only to the failure to achieve Operational Acceptance of the System (and Subsystems) as specified in the Implementation Schedule and/or Agreed Project Plan. This Clause 28.3 shall not limit, however, any other rights or remedies the Purchaser may have under the Contract for other delays.

28.4 If liquidated damages are claimed by the Purchaser for the System (or Subsystem), the Supplier shall have no further liability whatsoever to the Purchaser in respect to the Operational Acceptance time guarantee for the System (or Subsystem). However, the payment of liquidated damages shall not in any way relieve the Supplier from any of its obligations to complete the System or from any other of its obligations and liabilities under the Contract.

29. Defect Liability

29.1 The Supplier warrants that the System, including all Information Technologies, Materials, and other Goods supplied and Services provided, shall be free from defects in the design, engineering, Materials, and workmanship that prevent the System and/or any of its components from fulfilling the Technical Requirements or that limit in a material fashion the performance, reliability, or extensibility

of the System and/or Subsystems. **Unless otherwise specified in the SCC**, there will be NO exceptions and/or limitations to this warranty with respect to Software (or categories of Software). Commercial warranty provisions of products supplied under the Contract shall apply to the extent that they do not conflict with the provisions of this Contract.

29.2 The Supplier also warrants that the Information Technologies, Materials, and other Goods supplied under the Contract are new, unused, and incorporate all recent improvements in design that materially affect the System's or Subsystem's ability to fulfill the Technical Requirements.

29.3 **Unless otherwise specified in the SCC**, the Supplier warrants that: (i) all Goods components to be incorporated into the System form part of the Supplier's and/or Subcontractor's current product lines, and (ii) they have been previously released to the market.

29.4 **Unless otherwise specified in the SCC**, the Warranty Period shall commence from the date of Operational Acceptance of the System (or of any major component or Subsystem for which separate Operational Acceptance is provided for in the Contract) and shall extend for thirty-six (36) months.

29.5 If during the Warranty Period any defect as described in GCC Clause 29.1 should be found in the design, engineering, Materials, and workmanship of the Information Technologies and other Goods supplied or of the Services provided by the Supplier, the Supplier shall promptly, in consultation and agreement with the Purchaser regarding appropriate remedying of the defects, and at its sole cost, repair, replace, or otherwise make good (as the Supplier shall, at its discretion, determine) such defect as well as any damage to the System caused by such defect. Any defective Information Technologies or other Goods that have been replaced by the Supplier shall remain the property of the Supplier.

29.6 The Supplier shall not be responsible for the repair, replacement, or making good of any defect, or of any damage to the System arising out of or resulting from any of the following causes:

(a) improper operation or maintenance of the System by the

Purchaser;

- (b) normal wear and tear;
- (c) use of the System with items not supplied by the Supplier, unless otherwise identified in the Technical Requirements, or approved by the Supplier; or
- (d) modifications made to the System by the Purchaser, or a third party, not approved by the Supplier.

29.7 The Supplier's obligations under this GCC Clause 29 shall not apply to:

- (a) any materials that are normally consumed in operation or have a normal life shorter than the Warranty Period; or
- (b) any designs, specifications, or other data designed, supplied, or specified by or on behalf of the Purchaser or any matters for which the Supplier has disclaimed responsibility, in accordance with GCC Clause 21.1.2.

29.8 The Purchaser shall give the Supplier a notice promptly following the discovery of such defect, stating the nature of any such defect together with all available evidence. The Purchaser shall afford all reasonable opportunity for the Supplier to inspect any such defect. The Purchaser shall afford the Supplier all necessary access to the System and the site to enable the Supplier to perform its obligations under this GCC Clause 29.

29.9 The Supplier may, with the consent of the Purchaser, remove from the site any Information Technologies and other Goods that are defective, if the nature of the defect, and/or any damage to the System caused by the defect, is such that repairs cannot be expeditiously carried out at the site. If the repair, replacement, or making good is of such a character that it may affect the efficiency of the System, the Purchaser may give the Supplier notice requiring that tests of the defective part be made by the Supplier immediately upon completion of such remedial work, whereupon the Supplier shall carry out such tests.

If such part fails the tests, the Supplier shall carry out further repair, replacement, or making good (as the case may be) until that part of the System passes such tests. The tests shall be agreed upon by the Purchaser and the Supplier.

29.10 **Unless otherwise specified in the SCC**, the response

times and repair/replacement times for Warranty Defect Repair are specified in the Technical Requirements. Nevertheless, if the Supplier fails to commence the work necessary to remedy such defect or any damage to the System caused by such defect within two weeks the Purchaser may, following notice to the Supplier, proceed to do such work or contract a third party (or parties) to do such work, and the reasonable costs incurred by the Purchaser in connection with such work shall be paid to the Purchaser by the Supplier or may be deducted by the Purchaser from any monies due the Supplier or claimed under the Performance Security.

29.11 If the System or Subsystem cannot be used by reason of such defect and/or making good of such defect, the Warranty Period for the System shall be extended by a period equal to the period during which the System or Subsystem could not be used by the Purchaser because of such defect and/or making good of such defect.

29.12 Items substituted for defective parts of the System during the Warranty Period shall be covered by the Defect Liability Warranty for the remainder of the Warranty Period applicable for the part replaced or three (3) months, whichever is greater. For reasons of information security, the Purchaser may choose to retain physical possession of any replaced defective information storage devices.

29.13 At the request of the Purchaser and without prejudice to any other rights and remedies that the Purchaser may have against the Supplier under the Contract, the Supplier will offer all possible assistance to the Purchaser to seek warranty services or remedial action from any subcontracted third-party producers or licensor of Goods included in the System, including without limitation assignment or transfer in favor of the Purchaser of the benefit of any warranties given by such producers or licensors to the Supplier.

30. Functional Guarantees

30.1 The Supplier guarantees that, once the Operational Acceptance Certificate(s) has been issued, the System represents a complete, integrated solution to the Purchaser's requirements set forth in the Technical Requirements and it conforms to all other aspects of the Contract. The Supplier acknowledges that GCC Clause 27 regarding Commissioning and Operational Acceptance governs how technical conformance of the System to the Contract requirements will be determined.

30.2 If, for reasons attributable to the Supplier, the System does not conform to the Technical Requirements or does not conform to all other aspects of the Contract, the Supplier shall at its cost and expense make such changes, modifications, and/or additions to the System as may be necessary to conform to the Technical Requirements and meet all functional and performance standards. The Supplier shall notify the Purchaser upon completion of the necessary changes, modifications, and/or additions and shall request the Purchaser to repeat the Operational Acceptance Tests until the System achieves Operational Acceptance.

30.3 If the System (or Subsystem[s]) fails to achieve Operational Acceptance, the Purchaser may consider termination of the Contract, pursuant to GCC Clause 41.2.2, and forfeiture of the Supplier's Performance Security in accordance with GCC Clause 13.3 in compensation for the extra costs and delays likely to result from this failure.

**31. Intellectual
Property Rights
Warranty**

31.1 The Supplier hereby represents and warrants that:

- (a) the System as supplied, installed, tested, and accepted;
- (b) use of the System in accordance with the Contract; and
- (c) copying of the Software and Materials provided to the Purchaser in accordance with the Contract

do not and will not infringe any Intellectual Property Rights held by any third party and that it has all necessary rights or at its sole expense shall have secured in writing all transfers of rights and other consents necessary to make the assignments, licenses, and other transfers of Intellectual Property Rights and the warranties set forth in the Contract, and for the Purchaser to own or exercise all Intellectual Property Rights as provided in the Contract. Without limitation, the Supplier shall secure all necessary written agreements, consents, and transfers of rights from its employees and other persons or entities whose services are used for development of the System.

**32. Intellectual
Property Rights
Indemnity**

32.1 The Supplier shall indemnify and hold harmless the Purchaser and its employees and officers from and against any and all losses, liabilities, and costs (including losses, liabilities, and costs incurred in defending a claim alleging such a liability), that the Purchaser or its employees or officers may suffer as a result of any infringement or alleged infringement of any Intellectual Property Rights by reason

of:

- (a) installation of the System by the Supplier or the use of the System, including the Materials, in the country where the site is located;
- (b) copying of the Software and Materials provided the Supplier in accordance with the Agreement; and
- (c) sale of the products produced by the System in any country, except to the extent that such losses, liabilities, and costs arise as a result of the Purchaser's breach of GCC Clause 32.2.

32.2 Such indemnity shall not cover any use of the System, including the Materials, other than for the purpose indicated by or to be reasonably inferred from the Contract, any infringement resulting from the use of the System, or any products of the System produced thereby in association or combination with any other goods or services not supplied by the Supplier, where the infringement arises because of such association or combination and not because of use of the System in its own right.

32.3 Such indemnities shall also not apply if any claim of infringement:

- (a) is asserted by a parent, subsidiary, or affiliate of the Purchaser's organization;
- (b) is a direct result of a design mandated by the Purchaser's Technical Requirements and the possibility of such infringement was duly noted in the Supplier's Bid; or
- (c) results from the alteration of the System, including the Materials, by the Purchaser or any persons other than the Supplier or a person authorized by the Supplier.

32.4 If any proceedings are brought or any claim is made against the Purchaser arising out of the matters referred to in GCC Clause 32.1, the Purchaser shall promptly give the Supplier notice of such proceedings or claims, and the Supplier may at its own expense and in the Purchaser's name conduct such proceedings or claim and any negotiations for the settlement of any such proceedings or claim.

If the Supplier fails to notify the Purchaser within twenty-eight (28) days after receipt of such notice that it intends to

conduct any such proceedings or claim, then the Purchaser shall be free to conduct the same on its own behalf. Unless the Supplier has so failed to notify the Purchaser within the twenty-eight (28) days, the Purchaser shall make no admission that may be prejudicial to the defense of any such proceedings or claim. The Purchaser shall, at the Supplier's request, afford all available assistance to the Supplier in conducting such proceedings or claim and shall be reimbursed by the Supplier for all reasonable expenses incurred in so doing.

32.5 The Purchaser shall indemnify and hold harmless the Supplier and its employees, officers, and Subcontractors from and against any and all losses, liabilities, and costs (including losses, liabilities, and costs incurred in defending a claim alleging such a liability) that the Supplier or its employees, officers, or Subcontractors may suffer as a result of any infringement or alleged infringement of any Intellectual Property Rights arising out of or in connection with any design, data, drawing, specification, or other documents or materials provided to the Supplier in connection with this Contract by the Purchaser or any persons (other than the Supplier) contracted by the Purchaser, except to the extent that such losses, liabilities, and costs arise as a result of the Supplier's breach of GCC Clause 32.8.

32.6 Such indemnity shall not cover

- (a) any use of the design, data, drawing, specification, or other documents or materials, other than for the purpose indicated by or to be reasonably inferred from the Contract;
- (b) any infringement resulting from the use of the design, data, drawing, specification, or other documents or materials, or any products produced thereby, in association or combination with any other Goods or Services not provided by the Purchaser or any other person contracted by the Purchaser, where the infringement arises because of such association or combination and not because of the use of the design, data, drawing, specification, or other documents or materials in its own right.

32.7 Such indemnities shall also not apply:

- (a) if any claim of infringement is asserted by a parent,

subsidiary, or affiliate of the Supplier's organization;

- (b) to the extent that any claim of infringement is caused by the alteration, by the Supplier, or any persons contracted by the Supplier, of the design, data, drawing, specification, or other documents or materials provided to the Supplier by the Purchaser or any persons contracted by the Purchaser.

32.8 If any proceedings are brought or any claim is made against the Supplier arising out of the matters referred to in GCC Clause 32.5, the Supplier shall promptly give the Purchaser notice of such proceedings or claims, and the Purchaser may at its own expense and in the Supplier's name conduct such proceedings or claim and any negotiations for the settlement of any such proceedings or claim. If the Purchaser fails to notify the Supplier within twenty-eight (28) days after receipt of such notice that it intends to conduct any such proceedings or claim, then the Supplier shall be free to conduct the same on its own behalf. Unless the Purchaser has so failed to notify the Supplier within the twenty-eight (28) days, the Supplier shall make no admission that may be prejudicial to the defense of any such proceedings or claim. The Supplier shall, at the Purchaser's request, afford all available assistance to the Purchaser in conducting such proceedings or claim and shall be reimbursed by the Purchaser for all reasonable expenses incurred in so doing.

33. Limitation of Liability

33.1 Provided the following does not exclude or limit any liabilities of either party in ways not permitted by applicable law:

- (a) the Supplier shall not be liable to the Purchaser, whether in contract, tort, or otherwise, for any indirect or consequential loss or damage, loss of use, loss of production, or loss of profits or interest costs, provided that this exclusion shall not apply to any obligation of the Supplier to pay liquidated damages to the Purchaser; and
- (b) the aggregate liability of the Supplier to the Purchaser, whether under the Contract, in tort or otherwise, shall not exceed the total Contract Price, provided that this limitation shall not apply to any obligation of the Supplier to indemnify the Purchaser with respect to intellectual property rights infringement.

G. RISK DISTRIBUTION

34. Transfer of Ownership

34.1 With the exception of Software and Materials, the ownership of the Information Technologies and other Goods shall be transferred to the Purchaser at the time of Delivery or otherwise under terms that may be agreed upon and specified in the Contract Agreement.

34.2 Ownership and the terms of usage of the Software and Materials supplied under the Contract shall be governed by GCC Clause 15 (Copyright) and any elaboration in the Technical Requirements.

34.3 Ownership of the Supplier's Equipment used by the Supplier and its Subcontractors in connection with the Contract shall remain with the Supplier or its Subcontractors.

35. Care of the System

35.1 The Purchaser shall become responsible for the care and custody of the System or Subsystems upon their Delivery. The Purchaser shall make good at its own cost any loss or damage that may occur to the System or Subsystems from any cause from the date of Delivery until the date of Operational Acceptance of the System or Subsystems, pursuant to GCC Clause 27 (Commissioning and Operational Acceptance), excepting such loss or damage arising from acts or omissions of the Supplier, its employees, or subcontractors.

35.2 If any loss or damage occurs to the System or any part of the System by reason of:

- (a) (insofar as they relate to the country where the Project Site is located) nuclear reaction, nuclear radiation, radioactive contamination, a pressure wave caused by aircraft or other aerial objects, or any other occurrences that an experienced contractor could not reasonably foresee, or if reasonably foreseeable could not reasonably make provision for or insure against, insofar as such risks are not normally insurable on the insurance market and are mentioned in the general exclusions of the policy of insurance taken out under GCC Clause 37;
- (b) any use not in accordance with the Contract, by the Purchaser or any third party;
- (c) any use of or reliance upon any design, data, or specification provided or designated by or on behalf of

the Purchaser, or any such matter for which the Supplier has disclaimed responsibility in accordance with GCC Clause 21.1.2,

the Purchaser shall pay to the Supplier all sums payable in respect of the System or Subsystems that have achieved Operational Acceptance, notwithstanding that the same be lost, destroyed, or damaged. If the Purchaser requests the Supplier in writing to make good any loss or damage to the System thereby occasioned, the Supplier shall make good the same at the cost of the Purchaser in accordance with GCC Clause 39. If the Purchaser does not request the Supplier in writing to make good any loss or damage to the System thereby occasioned, the Purchaser shall either request a change in accordance with GCC Clause 39, excluding the performance of that part of the System thereby lost, destroyed, or damaged, or, where the loss or damage affects a substantial part of the System, the Purchaser shall terminate the Contract pursuant to GCC Clause 41.1.

35.3 The Purchaser shall be liable for any loss of or damage to any Supplier's Equipment which the Purchaser has authorized to locate within the Purchaser's premises for use in fulfillment of Supplier's obligations under the Contract, except where such loss or damage arises from acts or omissions of the Supplier, its employees, or subcontractors.

**36. Loss of or
Damage to
Property;
Accident or
Injury to
Workers;
Indemnification**

36.1 The Supplier and each and every Subcontractor shall abide by the job safety, insurance, customs, and immigration measures prevalent and laws in force in the Purchaser's Country.

36.2 Subject to GCC Clause 36.3, the Supplier shall indemnify and hold harmless the Purchaser and its employees and officers from and against any and all losses, liabilities and costs (including losses, liabilities, and costs incurred in defending a claim alleging such a liability) that the Purchaser or its employees or officers may suffer as a result of the death or injury of any person or loss of or damage to any property (other than the System, whether accepted or not) arising in connection with the supply, installation, testing, and Commissioning of the System and by reason of the negligence of the Supplier or its Subcontractors, or their employees, officers or agents, except any injury, death, or property damage caused by the negligence of the Purchaser, its contractors, employees, officers, or agents.

36.3 If any proceedings are brought or any claim is made against

the Purchaser that might subject the Supplier to liability under GCC Clause 36.2, the Purchaser shall promptly give the Supplier notice of such proceedings or claims, and the Supplier may at its own expense and in the Purchaser's name conduct such proceedings or claim and any negotiations for the settlement of any such proceedings or claim. If the Supplier fails to notify the Purchaser within twenty-eight (28) days after receipt of such notice that it intends to conduct any such proceedings or claim, then the Purchaser shall be free to conduct the same on its own behalf. Unless the Supplier has so failed to notify the Purchaser within the twenty-eight (28) day period, the Purchaser shall make no admission that may be prejudicial to the defense of any such proceedings or claim. The Purchaser shall, at the Supplier's request, afford all available assistance to the Supplier in conducting such proceedings or claim and shall be reimbursed by the Supplier for all reasonable expenses incurred in so doing.

36.4 The Purchaser shall indemnify and hold harmless the Supplier and its employees, officers, and Subcontractors from any and all losses, liabilities, and costs (including losses, liabilities, and costs incurred in defending a claim alleging such a liability) that the Supplier or its employees, officers, or Subcontractors may suffer as a result of the death or personal injury of any person or loss of or damage to property of the Purchaser, other than the System not yet achieving Operational Acceptance, that is caused by fire, explosion, or any other perils, in excess of the amount recoverable from insurances procured under GCC Clause 37 (Insurances), provided that such fire, explosion, or other perils were not caused by any act or failure of the Supplier.

36.5 If any proceedings are brought or any claim is made against the Supplier that might subject the Purchaser to liability under GCC Clause 36.4, the Supplier shall promptly give the Purchaser notice of such proceedings or claims, and the Purchaser may at its own expense and in the Supplier's name conduct such proceedings or claim and any negotiations for the settlement of any such proceedings or claim. If the Purchaser fails to notify the Supplier within twenty-eight (28) days after receipt of such notice that it intends to conduct any such proceedings or claim, then the Supplier shall be free to conduct the same on its own behalf. Unless the Purchaser has so failed to notify the Supplier within the twenty-eight (28) days, the Supplier shall make no admission that may be prejudicial to the defense of any such

proceedings or claim. The Supplier shall, at the Purchaser's request, afford all available assistance to the Purchaser in conducting such proceedings or claim and shall be reimbursed by the Purchaser for all reasonable expenses incurred in so doing.

36.6 The party entitled to the benefit of an indemnity under this GCC Clause 36 shall take all reasonable measures to mitigate any loss or damage that has occurred. If the party fails to take such measures, the other party's liabilities shall be correspondingly reduced.

37. Insurances

37.1 The Supplier shall at its expense take out and maintain in effect, or cause to be taken out and maintained in effect, during the performance of the Contract, the insurance set forth below. The identity of the insurers and the form of the policies shall be subject to the approval of the Purchaser, who should not unreasonably withhold such approval.

(a) Cargo Insurance During Transport

as applicable, 110 percent of the price of the Information Technologies and other Goods in a freely convertible currency, covering the Goods from physical loss or damage during shipment through receipt at the Project Site.

(b) Installation "All Risks" Insurance

as applicable, 110 percent of the price of the Information Technologies and other Goods covering the Goods at the site from all risks of physical loss or damage (excluding only perils commonly excluded under "all risks" insurance policies of this type by reputable insurers) occurring prior to Operational Acceptance of the System.

(c) Third-Party Liability Insurance

On terms as **specified in the SCC**, covering bodily injury or death suffered by third parties (including the Purchaser's personnel) and loss of or damage to property (including the Purchaser's property and any Subsystems that have been accepted by the Purchaser) occurring in connection with the supply and installation of the Information System.

(d) Automobile Liability Insurance

In accordance with the statutory requirements prevailing in the Purchaser's Country, covering use of all vehicles used by the Supplier or its Subcontractors (whether or not owned by them) in connection with the execution of the Contract.

(e) Other Insurance (if any), as **specified in the SCC**.

37.2 The Purchaser shall be named as co-insured under all insurance policies taken out by the Supplier pursuant to GCC Clause 37.1, except for the Third-Party Liability, and the Supplier's Subcontractors shall be named as co-insured under all insurance policies taken out by the Supplier pursuant to GCC Clause 37.1 except for Cargo Insurance During Transport. All insurer's rights of subrogation against such co-insured for losses or claims arising out of the performance of the Contract shall be waived under such policies.

37.3 The Supplier shall deliver to the Purchaser certificates of insurance (or copies of the insurance policies) as evidence that the required policies are in full force and effect.

37.4 The Supplier shall ensure that, where applicable, its Subcontractor(s) shall take out and maintain in effect adequate insurance policies for their personnel and vehicles and for work executed by them under the Contract, unless such Subcontractors are covered by the policies taken out by the Supplier.

37.5 If the Supplier fails to take out and/or maintain in effect the insurance referred to in GCC Clause 37.1, the Purchaser may take out and maintain in effect any such insurance and may from time to time deduct from any amount due the Supplier under the Contract any premium that the Purchaser shall have paid to the insurer or may otherwise recover such amount as a debt due from the Supplier.

37.6 Unless otherwise provided in the Contract, the Supplier shall prepare and conduct all and any claims made under the policies affected by it pursuant to this GCC Clause 37, and all monies payable by any insurers shall be paid to the Supplier. The Purchaser shall give to the Supplier all such reasonable assistance as may be required by the Supplier in connection with any claim under the relevant insurance policies. With respect to insurance claims in which the Purchaser's interest is involved, the Supplier shall not give any release or make any compromise with the insurer

without the prior written consent of the Purchaser. With respect to insurance claims in which the Supplier's interest is involved, the Purchaser shall not give any release or make any compromise with the insurer without the prior written consent of the Supplier.

38. Force Majeure

38.1 "Force Majeure" shall mean any event beyond the reasonable control of the Purchaser or of the Supplier, as the case may be, and which is unavoidable notwithstanding the reasonable care of the party affected and shall include, without limitation, the following:

- (a) war, hostilities, or warlike operations (whether a state of war be declared or not), invasion, act of foreign enemy, and civil war;
- (b) rebellion, revolution, insurrection, mutiny, usurpation of civil or military government, conspiracy, riot, civil commotion, and terrorist acts;
- (c) confiscation, nationalization, mobilization, commandeering or requisition by or under the order of any government or de jure or de facto authority or ruler, or any other act or failure to act of any local state or national government authority;
- (d) strike, sabotage, lockout, embargo, import restriction, port congestion, lack of usual means of public transportation and communication, industrial dispute, shipwreck, shortage or restriction of power supply, epidemics, quarantine, and plague;
- (e) earthquake, landslide, volcanic activity, fire, flood or inundation, tidal wave, typhoon or cyclone, hurricane, storm, lightning, or other inclement weather condition, nuclear and pressure waves, or other natural or physical disaster;
- (f) failure, by the Supplier, to obtain the necessary export permit(s) from the governments of the Country(s) of Origin of the Information Technologies or other Goods, or Supplier's Equipment provided that the Supplier has made all reasonable efforts to obtain the required export permit(s), including the exercise of due diligence in determining the eligibility of the System and all of its components for receipt of the necessary export permits.

- 38.2 If either party is prevented, hindered, or delayed from or in performing any of its obligations under the Contract by an event of Force Majeure, then it shall notify the other in writing of the occurrence of such event and the circumstances of the event of Force Majeure within fourteen (14) days after the occurrence of such event.
- 38.3 The party who has given such notice shall be excused from the performance or punctual performance of its obligations under the Contract for so long as the relevant event of Force Majeure continues and to the extent that such party's performance is prevented, hindered, or delayed. The Time for Achieving Operational Acceptance shall be extended in accordance with GCC Clause 40 (Extension of Time for Achieving Operational Acceptance).
- 38.4 The party or parties affected by the event of Force Majeure shall use reasonable efforts to mitigate the effect of the event of Force Majeure upon its or their performance of the Contract and to fulfill its or their obligations under the Contract, but without prejudice to either party's right to terminate the Contract under GCC Clause 38.6.
- 38.5 No delay or nonperformance by either party to this Contract caused by the occurrence of any event of Force Majeure shall:
- (a) constitute a default or breach of the Contract;
 - (b) (subject to GCC Clauses 35.2, 38.3, and 38.4) give rise to any claim for damages or additional cost or expense occasioned by the delay or nonperformance,
- if, and to the extent that, such delay or nonperformance is caused by the occurrence of an event of Force Majeure.
- 38.6 If the performance of the Contract is substantially prevented, hindered, or delayed for a single period of more than sixty (60) days or an aggregate period of more than one hundred and twenty (120) days on account of one or more events of Force Majeure during the time period covered by the Contract, the parties will attempt to develop a mutually satisfactory solution, failing which, either party may terminate the Contract by giving a notice to the other.
- 38.7 In the event of termination pursuant to GCC Clause 38.6, the rights and obligations of the Purchaser and the Supplier shall be as specified in GCC Clauses 41.1.2 and 41.1.3.

38.8 Notwithstanding GCC Clause 38.5, Force Majeure shall not apply to any obligation of the Purchaser to make payments to the Supplier under this Contract.

H. CHANGE IN CONTRACT ELEMENTS

39. Changes to the System

39.1 Introducing a Change

39.1.1 Subject to GCC Clauses 39.2.5 and 39.2.7, the Purchaser shall have the right to propose, and subsequently require, the Project Manager to order the Supplier from time to time during the performance of the Contract to make any change, modification, addition, or deletion to, in, or from the System (interchangeably called “Change”), provided that such Change falls within the general scope of the System, does not constitute unrelated work, and is technically practicable, taking into account both the state of advancement of the System and the technical compatibility of the Change envisaged with the nature of the System as originally specified in the Contract.

A Change may involve, but is not restricted to, the substitution of updated Information Technologies and related Services in accordance with GCC Clause 23 (Product Upgrades).

39.1.2 The Supplier may from time to time during its performance of the Contract propose to the Purchaser (with a copy to the Project Manager) any Change that the Supplier considers necessary or desirable to improve the quality or efficiency of the System. The Purchaser may at its discretion approve or reject any Change proposed by the Supplier.

39.1.3 Notwithstanding GCC Clauses 39.1.1 and 39.1.2, no change made necessary because of any default of the Supplier in the performance of its obligations under the Contract shall be deemed to be a Change, and such change shall not result in any adjustment of the Contract Price or the Time for Achieving Operational Acceptance.

39.1.4 The procedure on how to proceed with and execute

Changes is specified in GCC Clauses 39.2 and 39.3, and further details and sample forms are provided in the Sample Contractual Forms Section in the bidding documents.

39.1.5 Moreover, the Purchaser and Supplier will agree, during development of the Project Plan, to a date prior to the scheduled date for Operational Acceptance, after which the Technical Requirements for the System shall be “frozen.” Any Change initiated after this time will be dealt with after Operational Acceptance.

39.2 Changes Originating from Purchaser

39.2.1 If the Purchaser proposes a Change pursuant to GCC Clauses 39.1.1, it shall send to the Supplier a “Request for Change Proposal,” requiring the Supplier to prepare and furnish to the Project Manager as soon as reasonably practicable a “Change Proposal,” which shall include the following:

- (a) brief description of the Change;
- (b) impact on the Time for Achieving Operational Acceptance;
- (c) detailed estimated cost of the Change;
- (d) effect on Functional Guarantees (if any);
- (e) effect on any other provisions of the Contract.

39.2.2 Prior to preparing and submitting the “Change Proposal,” the Supplier shall submit to the Project Manager a “Change Estimate Proposal,” which shall be an estimate of the cost of preparing the Change Proposal, plus a first approximation of the suggested approach and cost for implementing the changes. Upon receipt of the Supplier’s Change Estimate Proposal, the Purchaser shall do one of the following:

- (a) accept the Supplier’s estimate with instructions to the Supplier to proceed with the preparation of the Change Proposal;
- (b) advise the Supplier of any part of its Change

Estimate Proposal that is unacceptable and request the Supplier to review its estimate;

(c) advise the Supplier that the Purchaser does not intend to proceed with the Change.

39.2.3 Upon receipt of the Purchaser's instruction to proceed under GCC Clause 39.2.2 (a), the Supplier shall, with proper expedition, proceed with the preparation of the Change Proposal, in accordance with GCC Clause 39.2.1. The Supplier, at its discretion, may specify a validity period for the Change Proposal, after which if the Purchaser and Supplier has not reached agreement in accordance with GCC Clause 39.2.6, then GCC Clause 39.2.7 shall apply.

39.2.4 The pricing of any Change shall, as far as practicable, be calculated in accordance with the rates and prices included in the Contract. If the nature of the Change is such that the Contract rates and prices are inequitable, the parties to the Contract shall agree on other specific rates to be used for valuing the Change.

39.2.5 If before or during the preparation of the Change Proposal it becomes apparent that the aggregate impact of compliance with the Request for Change Proposal and with all other Change Orders that have already become binding upon the Supplier under this GCC Clause 39 would be to increase or decrease the Contract Price as originally set forth in Article 2 (Contract Price) of the Contract Agreement by more than fifteen (15) percent, the Supplier may give a written notice of objection to this Request for Change Proposal prior to furnishing the Change Proposal. If the Purchaser accepts the Supplier's objection, the Purchaser shall withdraw the proposed Change and shall notify the Supplier in writing of its acceptance.

The Supplier's failure to so object to a Request for Change Proposal shall neither affect its right to object to any subsequent requested Changes or Change Orders, nor affect its right to take into account, when making such subsequent objection, the percentage increase or decrease in the Contract Price that any Change not objected to by the

Supplier represents.

39.2.6 Upon receipt of the Change Proposal, the Purchaser and the Supplier shall mutually agree upon all matters contained in the Change Proposal. Within fourteen (14) days after such agreement, the Purchaser shall, if it intends to proceed with the Change, issue the Supplier a Change Order. If the Purchaser is unable to reach a decision within fourteen (14) days, it shall notify the Supplier with details of when the Supplier can expect a decision. If the Purchaser decides not to proceed with the Change for whatever reason, it shall, within the said period of fourteen (14) days, notify the Supplier accordingly. Under such circumstances, the Supplier shall be entitled to reimbursement of all costs reasonably incurred by it in the preparation of the Change Proposal, provided that these do not exceed the amount given by the Supplier in its Change Estimate Proposal submitted in accordance with GCC Clause 39.2.2.

39.2.7 If the Purchaser and the Supplier cannot reach agreement on the price for the Change, an equitable adjustment to the Time for Achieving Operational Acceptance, or any other matters identified in the Change Proposal, the Change will not be implemented. However, this provision does not limit the rights of either party under GCC Clause 6 (Settlement of Disputes).

39.3 Changes Originating from Supplier

If the Supplier proposes a Change pursuant to GCC Clause 39.1.2, the Supplier shall submit to the Project Manager a written “Application for Change Proposal,” giving reasons for the proposed Change and including the information specified in GCC Clause 39.2.1. Upon receipt of the Application for Change Proposal, the parties shall follow the procedures outlined in GCC Clauses 39.2.6 and 39.2.7. However, should the Purchaser choose not to proceed or the Purchaser and the Supplier cannot come to agreement on the change during any validity period that the Supplier may specify in its Application for Change Proposal, the Supplier shall not be entitled to recover the costs of preparing the Application for Change Proposal, unless subject to an agreement between the Purchaser and the

Supplier to the contrary.

39.4 Value engineering. The Supplier may prepare, at its own cost, a value engineering proposal at any time during the performance of the Contract. The value engineering proposal shall, at a minimum, include the following;

- (a) the proposed change(s), and a description of the difference to the existing Contract requirements;
- (b) a full cost/benefit analysis of the proposed change(s) including a description and estimate of costs (including life cycle costs) the Purchaser may incur in implementing the value engineering proposal; and
- (c) a description of any effect(s) of the change on performance/functionality.

The Purchaser may accept the value engineering proposal if the proposal demonstrates benefits that:

- (a) accelerates the delivery period; or
- (b) reduces the Contract Price or the life cycle costs to the Purchaser; or
- (c) improves the quality, efficiency, safety or sustainability of the systems; or
- (d) yields any other benefits to the Purchaser,

without compromising the necessary functions of the systems.

If the value engineering proposal is approved by the Purchaser and results in:

- (a) a reduction of the Contract Price; the amount to be paid to the Supplier shall be the percentage specified in the SCC of the reduction in the Contract Price; or
- (b) an increase in the Contract Price; but results in a reduction in life cycle costs due to any benefit described in (a) to (d) above, the amount to be paid to the Supplier shall

be the full increase in the Contract Price.

40. Extension of Time for Achieving Operational Acceptance

40.1 The time(s) for achieving Operational Acceptance specified in the Schedule of Implementation shall be extended if the Supplier is delayed or impeded in the performance of any of its obligations under the Contract by reason of any of the following:

- (a) any Change in the System as provided in GCC Clause 39 (Change in the Information System);
- (b) any occurrence of Force Majeure as provided in GCC Clause 38 (Force Majeure);
- (c) default of the Purchaser; or
- (d) any other matter specifically mentioned in the Contract;

by such period as shall be fair and reasonable in all the circumstances and as shall fairly reflect the delay or impediment sustained by the Supplier.

40.2 Except where otherwise specifically provided in the Contract, the Supplier shall submit to the Project Manager a notice of a claim for an extension of the time for achieving Operational Acceptance, together with particulars of the event or circumstance justifying such extension as soon as reasonably practicable after the commencement of such event or circumstance. As soon as reasonably practicable after receipt of such notice and supporting particulars of the claim, the Purchaser and the Supplier shall agree upon the period of such extension. In the event that the Supplier does not accept the Purchaser's estimate of a fair and reasonable time extension, the Supplier shall be entitled to refer the matter to the provisions for the Settlement of Disputes pursuant to GCC Clause 43.

40.3 The Supplier shall at all times use its reasonable efforts to minimize any delay in the performance of its obligations under the Contract.

41. Termination

41.1 Termination for Purchaser's Convenience

41.1.1 The Purchaser may at any time terminate the Contract for any reason by giving the Supplier a notice of termination that refers to this GCC Clause 41.1.

41.1.2 Upon receipt of the notice of termination under GCC Clause 41.1.1, the Supplier shall either as soon as reasonably practical or upon the date specified in the notice of termination

- (a) cease all further work, except for such work as the Purchaser may specify in the notice of termination for the sole purpose of protecting that part of the System already executed, or any work required to leave the site in a clean and safe condition;
- (b) terminate all subcontracts, except those to be assigned to the Purchaser pursuant to GCC Clause 41.1.2 (d) (ii) below;
- (c) remove all Supplier's Equipment from the site, repatriate the Supplier's and its Subcontractors' personnel from the site, remove from the site any wreckage, rubbish, and debris of any kind;
- (d) in addition, the Supplier, subject to the payment specified in GCC Clause 41.1.3, shall
 - (i) deliver to the Purchaser the parts of the System executed by the Supplier up to the date of termination;
 - (ii) to the extent legally possible, assign to the Purchaser all right, title, and benefit of the Supplier to the System, or Subsystem, as at the date of termination, and, as may be required by the Purchaser, in any subcontracts concluded between the Supplier and its Subcontractors;
 - (iii) deliver to the Purchaser all nonproprietary drawings, specifications, and other documents prepared by the Supplier or its Subcontractors as of the date of termination in connection with the System.

41.1.3 In the event of termination of the Contract under GCC Clause 41.1.1, the Purchaser shall pay to the Supplier the following amounts:

- (a) the Contract Price, properly attributable to the parts of the System executed by the Supplier as

of the date of termination;

- (b) the costs reasonably incurred by the Supplier in the removal of the Supplier's Equipment from the site and in the repatriation of the Supplier's and its Subcontractors' personnel;
- (c) any amount to be paid by the Supplier to its Subcontractors in connection with the termination of any subcontracts, including any cancellation charges;
- (d) costs incurred by the Supplier in protecting the System and leaving the site in a clean and safe condition pursuant to GCC Clause 41.1.2 (a); and
- (e) the cost of satisfying all other obligations, commitments, and claims that the Supplier may in good faith have undertaken with third parties in connection with the Contract and that are not covered by GCC Clauses 41.1.3 (a) through (d) above.

41.2 Termination for Supplier's Default

41.2.1 The Purchaser, without prejudice to any other rights or remedies it may possess, may terminate the Contract forthwith in the following circumstances by giving a notice of termination and its reasons therefore to the Supplier, referring to this GCC Clause 41.2:

- (a) if the Supplier becomes bankrupt or insolvent, has a receiving order issued against it, compounds with its creditors, or, if the Supplier is a corporation, a resolution is passed or order is made for its winding up (other than a voluntary liquidation for the purposes of amalgamation or reconstruction), a receiver is appointed over any part of its undertaking or assets, or if the Supplier takes or suffers any other analogous action in consequence of debt;
- (b) if the Supplier assigns or transfers the Contract or any right or interest therein in violation of the provision of GCC Clause 42 (Assignment); or
- (c) if the Supplier, in the judgment of the Purchaser has engaged in Fraud and Corruption, as defined

in paragraph 2.2 a. of the Appendix to the GCC, in competing for or in executing the Contract, including but not limited to willful misrepresentation of facts concerning ownership of Intellectual Property Rights in, or proper authorization and/or licenses from the owner to offer, the hardware, software, or materials provided under this Contract.

41.2.2 If the Supplier:

- (a) has abandoned or repudiated the Contract;
- (b) has without valid reason failed to commence work on the System promptly;
- (c) persistently fails to execute the Contract in accordance with the Contract or persistently neglects to carry out its obligations under the Contract without just cause;
- (d) refuses or is unable to provide sufficient Materials, Services, or labor to execute and complete the System in the manner specified in the Agreed Project Plan furnished under GCC Clause 19 at rates of progress that give reasonable assurance to the Purchaser that the Supplier can attain Operational Acceptance of the System by the Time for Achieving Operational Acceptance as extended;

then the Purchaser may, without prejudice to any other rights it may possess under the Contract, give a notice to the Supplier stating the nature of the default and requiring the Supplier to remedy the same. If the Supplier fails to remedy or to take steps to remedy the same within fourteen (14) days of its receipt of such notice, then the Purchaser may terminate the Contract forthwith by giving a notice of termination to the Supplier that refers to this GCC Clause 41.2.

41.2.3 Upon receipt of the notice of termination under GCC Clauses 41.2.1 or 41.2.2, the Supplier shall, either immediately or upon such date as is specified in the notice of termination:

- (a) cease all further work, except for such work as

the Purchaser may specify in the notice of termination for the sole purpose of protecting that part of the System already executed or any work required to leave the site in a clean and safe condition;

- (b) terminate all subcontracts, except those to be assigned to the Purchaser pursuant to GCC Clause 41.2.3 (d) below;
- (c) deliver to the Purchaser the parts of the System executed by the Supplier up to the date of termination;
- (d) to the extent legally possible, assign to the Purchaser all right, title and benefit of the Supplier to the System or Subsystems as at the date of termination, and, as may be required by the Purchaser, in any subcontracts concluded between the Supplier and its Subcontractors;
- (e) deliver to the Purchaser all drawings, specifications, and other documents prepared by the Supplier or its Subcontractors as at the date of termination in connection with the System.

41.2.4 The Purchaser may enter upon the site, expel the Supplier, and complete the System itself or by employing any third party. Upon completion of the System or at such earlier date as the Purchaser thinks appropriate, the Purchaser shall give notice to the Supplier that such Supplier's Equipment will be returned to the Supplier at or near the site and shall return such Supplier's Equipment to the Supplier in accordance with such notice. The Supplier shall thereafter without delay and at its cost remove or arrange removal of the same from the site.

41.2.5 Subject to GCC Clause 41.2.6, the Supplier shall be entitled to be paid the Contract Price attributable to the portion of the System executed as at the date of termination and the costs, if any, incurred in protecting the System and in leaving the site in a clean and safe condition pursuant to GCC Clause 41.2.3 (a). Any sums due the Purchaser from the Supplier accruing prior to the date of termination shall be deducted from the amount to be paid to the

Supplier under this Contract.

41.2.6 If the Purchaser completes the System, the cost of completing the System by the Purchaser shall be determined. If the sum that the Supplier is entitled to be paid, pursuant to GCC Clause 41.2.5, plus the reasonable costs incurred by the Purchaser in completing the System, exceeds the Contract Price, the Supplier shall be liable for such excess. If such excess is greater than the sums due the Supplier under GCC Clause 41.2.5, the Supplier shall pay the balance to the Purchaser, and if such excess is less than the sums due the Supplier under GCC Clause 41.2.5, the Purchaser shall pay the balance to the Supplier. The Purchaser and the Supplier shall agree, in writing, on the computation described above and the manner in which any sums shall be paid.

41.3 Termination by Supplier

41.3.1 If:

- (a) the Purchaser has failed to pay the Supplier any sum due under the Contract within the specified period, has failed to approve any invoice or supporting documents without just cause **pursuant to the SCC**, or commits a substantial breach of the Contract, the Supplier may give a notice to the Purchaser that requires payment of such sum, with interest on this sum as stipulated in GCC Clause 12.3, requires approval of such invoice or supporting documents, or specifies the breach and requires the Purchaser to remedy the same, as the case may be. If the Purchaser fails to pay such sum together with such interest, fails to approve such invoice or supporting documents or give its reasons for withholding such approval, fails to remedy the breach or take steps to remedy the breach within fourteen (14) days after receipt of the Supplier's notice; or
- (b) the Supplier is unable to carry out any of its obligations under the Contract for any reason attributable to the Purchaser, including but not limited to the Purchaser's failure to provide possession of or access to the site or other areas or failure to obtain any governmental permit

necessary for the execution and/or completion of the System;

then the Supplier may give a notice to the Purchaser of such events, and if the Purchaser has failed to pay the outstanding sum, to approve the invoice or supporting documents, to give its reasons for withholding such approval, or to remedy the breach within twenty-eight (28) days of such notice, or if the Supplier is still unable to carry out any of its obligations under the Contract for any reason attributable to the Purchaser within twenty-eight (28) days of the said notice, the Supplier may by a further notice to the Purchaser referring to this GCC Clause 41.3.1, forthwith terminate the Contract.

41.3.2 The Supplier may terminate the Contract immediately by giving a notice to the Purchaser to that effect, referring to this GCC Clause 41.3.2, if the Purchaser becomes bankrupt or insolvent, has a receiving order issued against it, compounds with its creditors, or, being a corporation, if a resolution is passed or order is made for its winding up (other than a voluntary liquidation for the purposes of amalgamation or reconstruction), a receiver is appointed over any part of its undertaking or assets, or if the Purchaser takes or suffers any other analogous action in consequence of debt.

41.3.3 If the Contract is terminated under GCC Clauses 41.3.1 or 41.3.2, then the Supplier shall immediately:

- (a) cease all further work, except for such work as may be necessary for the purpose of protecting that part of the System already executed, or any work required to leave the site in a clean and safe condition;
- (b) terminate all subcontracts, except those to be assigned to the Purchaser pursuant to Clause 41.3.3 (d) (ii);
- (c) remove all Supplier's Equipment from the site and repatriate the Supplier's and its Subcontractor's personnel from the site.
- (d) In addition, the Supplier, subject to the payment

specified in GCC Clause 41.3.4, shall:

- (i) deliver to the Purchaser the parts of the System executed by the Supplier up to the date of termination;
- (ii) to the extent legally possible, assign to the Purchaser all right, title, and benefit of the Supplier to the System, or Subsystems, as of the date of termination, and, as may be required by the Purchaser, in any subcontracts concluded between the Supplier and its Subcontractors;
- (iii) to the extent legally possible, deliver to the Purchaser all drawings, specifications, and other documents prepared by the Supplier or its Subcontractors as of the date of termination in connection with the System.

41.3.4 If the Contract is terminated under GCC Clauses 41.3.1 or 41.3.2, the Purchaser shall pay to the Supplier all payments specified in GCC Clause 41.1.3 and reasonable compensation for all loss, except for loss of profit, or damage sustained by the Supplier arising out of, in connection with, or in consequence of such termination.

41.3.5 Termination by the Supplier pursuant to this GCC Clause 41.3 is without prejudice to any other rights or remedies of the Supplier that may be exercised in lieu of or in addition to rights conferred by GCC Clause 41.3.

41.4 In this GCC Clause 41, the expression “portion of the System executed” shall include all work executed, Services provided, and all Information Technologies, or other Goods acquired (or subject to a legally binding obligation to purchase) by the Supplier and used or intended to be used for the purpose of the System, up to and including the date of termination.

41.5 In this GCC Clause 41, in calculating any monies due from the Purchaser to the Supplier, account shall be taken of any sum previously paid by the Purchaser to the Supplier under the Contract, including any advance payment paid **pursuant to the SCC.**

42. Assignment

42.1 Neither the Purchaser nor the Supplier shall, without the express prior written consent of the other, assign to any third party the Contract or any part thereof, or any right, benefit, obligation, or interest therein or thereunder, except that the Supplier shall be entitled to assign either absolutely or by way of charge any monies due and payable to it or that may become due and payable to it under the Contract.

I. SETTLEMENT OF DISPUTES

43. Settlement of Disputes

43.1 Adjudication

43.1.1 If any dispute of any kind whatsoever shall arise between the Purchaser and the Supplier in connection with or arising out of the Contract, including without prejudice to the generality of the foregoing, any question regarding its existence, validity, or termination, or the operation of the System (whether during the progress of implementation or after its achieving Operational Acceptance and whether before or after the termination, abandonment, or breach of the Contract), the parties shall seek to resolve any such dispute by mutual consultation. If the parties fail to resolve such a dispute by mutual consultation within fourteen (14) days after one party has notified the other in writing of the dispute, then, if the Contract Agreement in Appendix 2 includes and names an Adjudicator, the dispute shall, within another fourteen (14) days, be referred in writing by either party to the Adjudicator, with a copy to the other party. If there is no Adjudicator specified in the Contract Agreement, the mutual consultation period stated above shall last twenty-eight (28) days (instead of fourteen), upon expiry of which either party may move to the notification of arbitration pursuant to GCC Clause 43.2.1.

43.1.2 The Adjudicator shall give his or her decision in writing to both parties within twenty-eight (28) days of the dispute being referred to the Adjudicator. If the Adjudicator has done so, and no notice of intention to commence arbitration has been given by either the Purchaser or the Supplier within fifty-six (56) days of such reference, the decision shall become final and binding upon the Purchaser and the Supplier. Any

decision that has become final and binding shall be implemented by the parties forthwith.

43.1.3 The Adjudicator shall be paid an hourly fee at the rate specified in the Contract Agreement plus reasonable expenditures incurred in the execution of duties as Adjudicator, and these costs shall be divided equally between the Purchaser and the Supplier.

43.1.4 Should the Adjudicator resign or die, or should the Purchaser and the Supplier agree that the Adjudicator is not fulfilling his or her functions in accordance with the provisions of the Contract, a new Adjudicator shall be jointly appointed by the Purchaser and the Supplier. Failing agreement between the two within twenty-eight (28) days, the new Adjudicator shall be appointed at the request of either party by the Appointing Authority **specified in the SCC**, or, if no Appointing Authority is **specified in SCC**, the Contract shall, from this point onward and until the parties may otherwise agree on an Adjudicator or an Appointing Authority, be implemented as if there is no Adjudicator.

43.2 Arbitration

43.2.1 If

- (a) the Purchaser or the Supplier is dissatisfied with the Adjudicator's decision and acts before this decision has become final and binding pursuant to GCC Clause 43.1.2, or
- (b) the Adjudicator fails to give a decision within the allotted time from referral of the dispute pursuant to GCC Clause 43.1.2, and the Purchaser or the Supplier acts within the following fourteen (14) days, or
- (c) in the absence of an Adjudicator from the Contract Agreement, the mutual consultation pursuant to GCC Clause 43.1.1 expires without resolution of the dispute and the Purchaser or the Supplier acts within the following fourteen (14) days,

then either the Purchaser or the Supplier may act to give notice to the other party, with a copy for

information to the Adjudicator in case an Adjudicator had been involved, of its intention to commence arbitration, as provided below, as to the matter in dispute, and no arbitration in respect of this matter may be commenced unless such notice is given.

43.2.2 Any dispute in respect of which a notice of intention to commence arbitration has been given, in accordance with GCC Clause 43.2.1, shall be finally settled by arbitration. Arbitration may be commenced prior to or after Installation of the Information System.

43.2.3 Arbitration proceedings shall be conducted in accordance with the rules of procedure **specified in the SCC.**

43.3 Notwithstanding any reference to the Adjudicator or arbitration in this clause,

- (a) the parties shall continue to perform their respective obligations under the Contract unless they otherwise agree;
- (b) the Purchaser shall pay the Supplier any monies due the Supplier.

APPENDIX

Fraud and Corruption (Text in this Appendix shall not be modified)

1. Purpose

1.1 The Bank's Anti-Corruption Guidelines and this annex apply with respect to procurement under Bank Investment Project Financing operations.

2. Requirements

2.1 The Bank requires that Borrowers (including beneficiaries of Bank financing); bidders (applicants/proposers), consultants, contractors and suppliers; any sub-contractors, sub-consultants, service providers or suppliers; any agents (whether declared or not); and any of their personnel, observe the highest standard of ethics during the procurement process, selection and contract execution of Bank-financed contracts, and refrain from Fraud and Corruption.

2.2 To this end, the Bank:

a. Defines, for the purposes of this provision, the terms set forth below as follows:

- i. "corrupt practice" is the offering, giving, receiving, or soliciting, directly or indirectly, of anything of value to influence improperly the actions of another party;
- ii. "fraudulent practice" is any act or omission, including misrepresentation, that knowingly or recklessly misleads, or attempts to mislead, a party to obtain financial or other benefit or to avoid an obligation;
- iii. "collusive practice" is an arrangement between two or more parties designed to achieve an improper purpose, including to influence improperly the actions of another party;
- iv. "coercive practice" is impairing or harming, or threatening to impair or harm, directly or indirectly, any party or the property of the party to influence improperly the actions of a party;
- v. "obstructive practice" is:

(a) deliberately destroying, falsifying, altering, or concealing of evidence material to the investigation or making false statements to investigators in order to materially impede a Bank investigation into allegations of a corrupt, fraudulent, coercive, or collusive practice; and/or threatening, harassing, or intimidating any party to prevent it from disclosing its knowledge of matters relevant to the investigation or from pursuing the investigation; or

(b) acts intended to materially impede the exercise of the Bank's inspection and audit rights provided for under paragraph 2.2 e. below.

- b. Rejects a proposal for award if the Bank determines that the firm or individual recommended for award, any of its personnel, or its agents, or its sub-consultants, sub-contractors, service providers, suppliers and/ or their employees, has, directly or indirectly, engaged in corrupt, fraudulent, collusive, coercive, or obstructive practices in competing for the contract in question;
- c. In addition to the legal remedies set out in the relevant Legal Agreement, may take other appropriate actions, including declaring misprocurement, if the Bank determines at any time that representatives of the Borrower or of a recipient of any part of the proceeds of the loan engaged in corrupt, fraudulent, collusive, coercive, or obstructive practices during the procurement process, selection and/or execution of the contract in question, without the Borrower having taken timely and appropriate action satisfactory to the Bank to address such practices when they occur, including by failing to inform the Bank in a timely manner at the time they knew of the practices;
- d. Pursuant to the Bank's Anti-Corruption Guidelines, and in accordance with the Bank's prevailing sanctions policies and procedures, may sanction a firm or individual, either indefinitely or for a stated period of time, including by publicly declaring such firm or individual ineligible (i) to be awarded or otherwise benefit from a Bank-financed contract, financially or in any other manner;¹ (ii) to be a nominated² sub-contractor, consultant, manufacturer or supplier, or service provider of an otherwise eligible firm being awarded a Bank-financed contract; and (iii) to receive the proceeds of any loan made by the Bank or otherwise to participate further in the preparation or implementation of any Bank-financed project;
- e. Requires that a clause be included in bidding/request for proposals documents and in contracts financed by a Bank loan, requiring (i) bidders (applicants/proposers), consultants, contractors, and suppliers, and their sub-contractors, sub-consultants, service providers, suppliers, agents personnel, permit the Bank to inspect³ all accounts, records and other documents relating to the procurement process, selection and/or contract execution, and to have them audited by auditors appointed by the Bank.

¹ For the avoidance of doubt, a sanctioned party's ineligibility to be awarded a contract shall include, without limitation, (i) applying for pre-qualification, expressing interest in a consultancy, and bidding, either directly or as a nominated sub-contractor, nominated consultant, nominated manufacturer or supplier, or nominated service provider, in respect of such contract, and (ii) entering into an addendum or amendment introducing a material modification to any existing contract.

² A nominated sub-contractor, nominated consultant, nominated manufacturer or supplier, or nominated service provider (different names are used depending on the particular bidding document) is one which has been: (i) included by the bidder in its pre-qualification application or bid because it brings specific and critical experience and know-how that allow the bidder to meet the qualification requirements for the particular bid; or (ii) appointed by the Borrower.

³ Inspections in this context usually are investigative (i.e., forensic) in nature. They involve fact-finding activities undertaken by the Bank or persons appointed by the Bank to address specific matters related to investigations/audits, such as evaluating the veracity of an allegation of possible Fraud and Corruption, through the appropriate mechanisms. Such activity includes but is not limited to: accessing and examining a firm's or individual's financial records and information, and making copies thereof as relevant; accessing and examining any other documents, data and information (whether in hard copy or electronic format) deemed relevant for the investigation/audit, and making copies thereof as relevant; interviewing staff and other relevant individuals; performing physical inspections and site visits; and obtaining third party verification of information.

SECTION IX - SPECIAL CONDITIONS OF CONTRACT

Table of Clauses

A.	Contract and Interpretation	221
1.	Definitions (GCC Clause 1).....	221
2.	Notices (GCC Clause 4).....	221
B.	Subject Matter of Contract	222
3.	Scope of the System (GCC Clause 7).....	222
4.	Time for Commencement and Operational Acceptance (GCC Clause 8).....	222
5.	Supplier’s Responsibilities (GCC Clause 9).....	222
C.	Payment.....	222
6.	Contract Price (GCC Clause 11).....	222
7.	Terms of Payment (GCC Clause 12).....	222
8.	Securities (GCC Clause 13).....	224
D.	Intellectual Property	224
9.	Copyright (GCC Clause 15).....	225
10.	Software License Agreements (GCC Clause 16).....	225
11.	Confidential Information (GCC Clause 17).....	226
E.	Supply, Installation, Testing, Commissioning, and Acceptance of the System	226
12.	Representatives (GCC Clause 18)	226
13.	Project Plan (GCC Clause 19)	226
14.	Design and Engineering (GCC Clause 21)	227
15.	Product Upgrades (GCC Clause 23).....	227
16.	Inspections and Tests (GCC Clause 25)	227
17.	Commissioning and Operational Acceptance (GCC Clause 27).....	227
F.	Guarantees and Liabilities.....	227
18.	Operational Acceptance Time Guarantee (GCC Clause 28)	227
19.	Defect Liability (GCC Clause 29)	228
20.	Functional Guarantees (GCC Clause 30).....	228
G.	Risk Distribution.....	228
21.	Insurances (GCC Clause 37).....	228
H.	Change in Contract Elements.....	229
22.	Changes to the System (GCC Clause 39)	229
I.	Settlement of Disputes.....	229
23.	Settlement of Disputes (GCC Clause 43)	229

Special Conditions of Contract

The following Special Conditions of Contract (SCC) shall supplement or amend the General Conditions of Contract (GCC). Whenever there is a conflict, the provisions of the SCC shall prevail over those in the General Conditions of Contract. For the purposes of clarity, any referenced GCC clause numbers are indicated in the left column of the SCC.

A. CONTRACT AND INTERPRETATION

1. Definitions (GCC Clause 1)

GCC 1.1 (a) (ix)	The applicable edition of the Procurement Regulation is dated: July, 2016, Revised November 2017.
GCC 1.1 (b) (i)	The Purchaser is: Bangladesh Computer Council (BCC) represented by the Project Director, Leveraging ICT for Growth, Employment and Governance Project.
GCC 1.1 (b) (ii)	The Project Manager is: Project Director, Leveraging ICT for Growth, Employment and Governance Project Bangladesh Computer Council (BCC), ICT Tower (2 nd Floor), Plot # E-14/X, Agargaon, Sher-e-Bangla Nagar, Dhaka – 1207, Bangladesh. Telephone: +880-2-8181381; Fax: +880-2-818138 E-mail: pd.lict@bcc.gov.bd
GCC 1.1 (e) (i)	The Purchaser's Country is: Bangladesh.
GCC 1.1 (e) (x)	There are no Special Conditions associated with GCC 1.1 (e) (x).
GCC 1.1 (e) (xiii)	The Post-Warranty Services Period is <i>None</i> starting with the completion of the Warranty Period.

2. Notices (GCC Clause 4)

GCC 4.3	Address of the Project Manager: Project Director, Leveraging ICT for Growth, Employment and Governance Project Bangladesh Computer Council (BCC), ICT Tower (2nd Floor), Plot # E-14/X, Agargaon, Sher-e-Bangla Nagar, Dhaka – 1207, Bangladesh. Telephone: +880-2-8181381; Fax: +880-2-818138 E-mail: pd.lict@bcc.gov.bd
---------	--

	Fallback address of the Purchaser: As above.
--	---

3. Governing Law (GCC Clause 5)

GCC 5.1	The Contract shall be interpreted in accordance with the laws of: Bangladesh
---------	---

B. SUBJECT MATTER OF CONTRACT

4. Scope of the System (GCC Clause 7)

GCC 7.3	The Supplier’s obligations under the Contract will include the following recurrent cost items, as identified in the Recurrent Cost tables in the Supplier’s Bid: Not Applicable.
---------	---

5. Time for Commencement and Operational Acceptance (GCC Clause 8)

GCC 8.1	The Supplier shall commence work on the System within: 7 (seven) days from the Effective Date of the Contract.
---------	---

6. Supplier’s Responsibilities (GCC Clause 9)

GCC 9.9	The following sustainable procurement contractual provisions apply: N/A.
---------	---

C. PAYMENT

7. Contract Price (GCC Clause 11)

GCC 11.2	Adjustments to the Contract Price shall be as follows: not applicable.
----------	---

8. Terms of Payment (GCC Clause 12)

GCC 12.1	Subject to the provisions of GCC Clause 12 (Terms of Payment), the Purchaser shall pay the Contract Price to the Supplier according to the categories and in the manner specified below. Only the categories Advance Payment and Complete System Integration relate to the entire Contract Price. In other payment categories, the term "total Contract Price" means the total cost of goods or services under the specific
----------	---

payment category. Within each such category, the Contract Implementation Schedule may trigger pro-rata payments for the portion of the total Contract Price for the category corresponding to the goods or services actually Delivered, Installed, or Operationally Accepted, at unit prices and in the currencies specified in the Price Schedules of the Contract Agreement.

(a) Advance Payment

ten percent (10%) of the total Contract Price, exclusive of all Recurrent Costs, shall be paid against receipt of a claim accompanied by the Advance Payment Security specified in GCC Clause 13.2.

(b) For goods supplied from outside Bangladesh;

- On Delivery: 40% (forty percent) of the pro rata Contract Price for goods supplied from outside Bangladesh shall be paid after shipment through irrevocable confirmed letter of credit (LC), upon submission of documents specified in GCC Clause 22.5 and associated SCC.
- On Acceptance: 50% (twenty percent) of the pro rata Contract Price for goods supplied from outside Bangladesh shall be paid upon receipt of invoice claim supported by the 'acceptance certificate' issued by the Purchaser following successful completion of Operational Acceptance tests.

(c) For goods supplied from Bangladesh;

- On Delivery: 40% (forty percent) of the pro rata Contract Price for goods supplied from Bangladesh shall be paid after delivery, upon submission of documents specified in GCC Clause 22.5 and associated SCC.
- On Acceptance: 50% (twenty percent) of the pro rata Contract Price for goods or services supplied from Bangladesh shall be paid upon receipt of invoice claim supported by the 'acceptance certificate' issued by the Purchaser following successful completion of Operational Acceptance tests.

(d) If advance payment is not taken by the supplier, the amount will be paid shall be paid with Operational Acceptance.

GCC 12.3	<p>The Purchaser shall pay to the Supplier interest on the delayed payments at a rate of:</p> <p>On foreign currency: London Inter Bank Offered Rate (LIBOR)+ 1%</p> <p>On local currency : Dhaka Inter Bank Offered Rate (DIBOR)</p> <p>The payment delay period after which the Purchaser shall pay interest to the supplier shall be 45 days after submission of an invoice or request for payment by the supplier, and after the Purchaser has accepted it.</p>
GCC 12.4	<p>For Goods and Services supplied locally, the Purchaser will pay the Supplier in Bangladesh Taka.</p>
GCC 12.5	<p>As specified in GCC.</p>

9. Securities (GCC Clause 13)

GCC 13.3.1	<p>The Performance Security shall be denominated in the major currency of the Contract or in a freely convertible currency acceptable to the Purchaser for an amount equal to ten (10) percent of the Contract Price.</p>
GCC 13.3.4	<p>During the Warranty Period (i.e., after Operational Acceptance of the System), the Performance Security shall be reduced to 2.5 percent of the Contract Price, excluding any Recurrent Costs.</p>

10. Taxes and Duties (GCC Clause 14)

GCC 14.1	<p>In addition to Clause 14.1 following shall be added:</p> <p>Customs Duties and Value Added Taxes (CD-VAT) of the imported Goods under the Contract (incurred at the port of entry) will be paid by the Purchaser. However, customs formalities including appointment of, and payment to, Clearing and Forwarding (C&F) Agent shall be done by the Supplier. Port dues and all other charges shall be borne by the Supplier.</p> <p>The Supplier shall send the CD-VAT Assessment Report (Assessment Notice) of Customs Authorities to the Purchaser. The Purchaser will pay the assessed amount (CD -VAT) to the Government within 2 (two) weeks from received of assessment report.</p> <p>The Supplier shall submit the supporting documents including appointment of, and payment to, Clearing and Forwarding (C&F) Agent</p>
----------	---

	and the Purchaser will reimburse the same, within 30 days.
--	--

D. INTELLECTUAL PROPERTY

11. Copyright (GCC Clause 15)

GCC 15.3	The Purchaser may assign, license, or otherwise voluntarily transfer its contractual rights to use the Standard Software or elements of the Standard Software, without the Supplier’s prior written consent, under the following circumstances: In case of reorganization of the responsibility to any successor organization.
GCC 15.4	There are no special Conditions of contract applicable to GCC.
GCC 15.5	<i>There are no Special Conditions of Contract applicable to GCC Clause 15.5.</i>

12. Software License Agreements (GCC Clause 16)

GCC 16.1 (a) (iii)	The Standard Software license shall be valid throughout the territory of Bangladesh. The supplied software licenses shall be registered through Regional Headquarters, under which Bangladesh falls, of the global software vendors for ensuring convenient upgrade facility and renewal (as and when necessary).
GCC 16.1 (a) (iv)	There are no Special Conditions of Contract applicable to GCC Clause 16.1 (a) (iv)
GCC 16.1 (b) (vi)	There are no Special Conditions of Contract applicable to GCC Clause 16.1 (b) (vi).
GCC 16.1 (b) (vii)	In addition to the persons specified in GCC Clause 16.1 (b) (vi), the Software may be disclosed to, and reproduced for use by the Purchaser’s authorized staff subject to the same restrictions as are set forth in this Contract.
GCC 16.2	<i>There are no Special Conditions of Contract applicable to GCC Clause 16.2</i>

13. Confidential Information (GCC Clause 17)

GCC 17.1	There are no Special Conditions of Contract applicable to GCC Clause 17.1
----------	--

E. SUPPLY, INSTALLATION, TESTING, COMMISSIONING, AND ACCEPTANCE OF THE SYSTEM

14. Representatives (GCC Clause 18)

GCC 18.1	<p>The Purchaser’s Project Manager shall have the following additional powers and / or limitations to his or her authority to represent the Purchaser in matters relating to the Contract</p> <p>No additional powers or limitations.</p>
GCC 18.2.2	<p>The Supplier’s Representative shall have the following additional powers and / or limitations to his or her authority to represent the Supplier in matters relating to the Contract</p> <p>No additional powers or limitations.</p>

15. Project Plan (GCC Clause 19)

GCC 19.1	<p>Chapters in the Project Plan shall address the following subject:</p> <ul style="list-style-type: none"> (a) <i>Project Organization and Management Sub-Plan, including management authorities, responsibilities, and contacts, as well as task, time and resource-bound schedules (in GANTT format);</i> (b) <i>Implementation Sub-Plan;</i> (c) <i>Training Sub-Plan;</i> (d) <i>Testing and Quality Assurance Sub-Plan;</i> (e) <i>Warranty Defect Repair and Technical Support Service Sub-Plan</i> <p>Further details regarding the required contents of each of the above chapters are contained in the Technical Requirements, Section VII.</p>
GCC 19.6	<p><i>The Supplier shall submit to the Purchaser:</i></p> <ul style="list-style-type: none"> (i) <i>monthly inspection and quality assurance reports</i>

	<p>(ii) <i>monthly training participants test results</i></p> <p>(iii) <i>monthly log of service calls and problem resolutions</i></p>
--	--

16. Design and Engineering (GCC Clause 21)

GCC 21.3.1	<p>The Supplier shall prepare and furnish to the Project Manager the following documents for which the Supplier must obtain the Project Manager’s approval before proceeding with work on the System or any Subsystem covered by the documents:</p> <p><i>a) detailed site surveys;</i></p> <p><i>b) final Subsystem configurations.</i></p>
GCC 22.5	As specified in GCC.

17. Product Upgrades (GCC Clause 23)

GCC 23.4	There are no Special Conditions of Contract applicable to GCC Clause 23.4.
----------	---

18. Inspections and Tests (GCC Clause 25)

GCC 25	<i>There are no Special Conditions of Contract applicable to GCC Clause 25.</i>
--------	---

19. Commissioning and Operational Acceptance (GCC Clause 27)

GCC 27.2.1	Operational Acceptance Testing shall be conducted in accordance with Section VII Technical Requirements where acceptance testing details are given.
------------	--

F. GUARANTEES AND LIABILITIES

20. Operational Acceptance Time Guarantee (GCC Clause 28)

GCC 28.2	There are no Special Conditions of Contract applicable to GCC Clause 28.2.
GCC 28.3	There are no Special Conditions of Contract applicable to GCC Clause 28.3

21. Defect Liability (GCC Clause 29)

GCC 29.1	There are no Special Conditions of Contract applicable to GCC Clause 29.1.
GCC 29.4	The Warranty Period of Thirty-Six (36) months shall begin from the date of Operational Acceptance of the System or Subsystem. The supplier must provide three (3) years comprehensive manufacturer’s warranty for all items supplied under this bid.
GCC 29.10	There are no Special Conditions of Contract applicable to GCC Clause 29.10.

22. Functional Guarantees (GCC Clause 30)

GCC 30	<i>There are no Special Conditions of Contract applicable to GCC Clause 30.</i>
--------	--

G. RISK DISTRIBUTION

23. Insurances (GCC Clause 37)

GCC 37.1 (c)	<p>The Supplier shall obtain Third-Party Liability Insurance in accordance with the statutory requirements of Bangladesh.</p> <p>The insured Parties shall be <i>the Supplier and the Purchaser.</i></p> <p>The Insurance shall cover the period from <i>beginning date, relative to the Effective Date of the Contract</i> until <i>expiration date, relative to the Effective Date of the Contract or its completion.</i></p>
GCC 37.1 (e)	<p>The Supplier shall obtain Worker’s Compensation Insurance in accordance with the statutory requirements of Bangladesh. Specifically the Insurance shall cover the period from beginning date, relative to the Effective Date of the Contract until expiration date, relative to the Effective Date of the Contract or its completion.</p> <p>The Supplier shall obtain Employer’s Liability Insurance in accordance with the statutory requirements of Bangladesh. Specifically: the Insurance shall cover the period from <i>beginning date, relative to the Effective Date of the Contract</i> until <i>expiration date, relative to the Effective Date of Contract or its completion.</i></p>

H. CHANGE IN CONTRACT ELEMENTS

24. Changes to the System (GCC Clause 39)

GCC 39.4	Value Engineering: Not Applicable.
----------	---

I. SETTLEMENT OF DISPUTES

25. Settlement of Disputes (GCC Clause 43)

GCC 43.1.4	<p>The Appointing Authority for the Adjudicator is:</p> <p>(a) <u>if the Supplier is foreign (including a Joint Venture when at least one partner is foreign):</u> International Chamber of Commerce.</p> <p>(b) <u>if the Supplier is a national of the Purchaser’s country</u> President of the Institution of Engineers, Bangladesh (IEB).</p>
GCC 43.2.3	<p><u>If the Supplier is foreign (including a Joint Venture when at least one partner is foreign), the Contract shall contain the following provision:</u></p> <p>Arbitration proceedings shall be conducted in accordance with the rules of arbitration of: UNCITRAL. These rules, in the version in force at the time of the request for arbitration, will be deemed to form part of this Contract.</p> <p><u>If the Supplier is a national of the Purchaser's country, the Contract shall contain the following provision:</u></p> <p>Any dispute between the Purchaser and a Supplier arising in connection with the present Contract shall be referred to arbitration in accordance with the laws of the Purchaser’s country.</p>

SECTION X - CONTRACT FORMS

Notes to the Purchaser on preparing the Contract Forms

Performance Security: Pursuant to GCC Clause 13.3, the successful Bidder is required to provide the Performance Security within twenty-eight (28) days of notification of Contract award.

Advance Payment Security: Pursuant to Clause 13.2, the successful Bidder is required to provide a bank guarantee securing the Advance Payment, if the SCC related to GCC Clause 12.1 provides for an Advance Payment.

Installation and Operational Acceptance Certificates: Recommended formats for these certificates are included in this SPD. Unless the Purchaser has good reason to require procedures that differ from those recommended, or to require different wording in the certificates, the procedures and forms shall be included unchanged. If the Purchaser wishes to amend the recommended procedures and/or certificates, it may propose alternatives for the approval of the World Bank before release of the bidding document to potential Bidders.

Change Order Procedures and Forms: Similar to the Installation and Operational Acceptance Certificates, the Change Estimate Proposal, Estimate Acceptance, Change Proposal, Change Order, and related Forms should be included in the bidding document unaltered. If the Purchaser wishes to amend the recommended procedures and/or certificates, it may propose alternatives for the approval of the World Bank before release of the bidding document.

Notes to Bidders on working with the Sample Contractual Forms

The following forms are to be completed and submitted by the successful Bidder following receipt of the Letter of Acceptance from the Purchaser: (i) Contract Agreement, with all Appendices; (ii) Performance Security; and (iii) Advance Payment Security.

- **Contract Agreement:** In addition to specifying the parties and the Contract Price, the Contract Agreement is where the: (i) Supplier Representative; (ii) if applicable, agreed Adjudicator and his/her compensation; and (iii) the List of Approved Subcontractors are specified. In addition, modifications to the successful Bidder's Bid Price Schedules are attached to the Agreement. These contain corrections and adjustments to the Supplier's bid prices to correct errors, adjust the Contract Price to reflect – if applicable - any extensions to bid validity beyond the last day of original bid validity plus 56 days, etc.
- **Performance Security:** Pursuant to GCC Clause 13.3, the successful Bidder is required to provide the Performance Security in the form contained in this section of these bidding documents and in the amount specified in accordance with the SCC.

- Advance Payment Security: Pursuant to GCC Clause 13.2, the successful Bidder is required to provide a bank guarantee for the full amount of the Advance Payment - if an Advance Payment is specified in the SCC for GCC Clause 12.1 - in the form contained in this section of these bidding documents or another form acceptable to the Purchaser. If a Bidder wishes to propose a different Advance Payment Security form, it should submit a copy to the Purchaser promptly for review and confirmation of acceptability before the bid submission deadline.

The Purchaser and Supplier will use the following additional forms during Contract implementation to formalize or certify important Contract events: (i) the Installation and Operational Acceptance Certificates; and (ii) the various Change Order forms. These and the procedures for their use during performance of the Contract are included in the bidding documents for the information of Bidders.

UNOFFICIAL COPY

Table of Contract Forms

Notification of Intention to Award	233
Beneficial Ownership Disclosure Form	237
Letter of Acceptance	239
1. Contract Agreement	240
Appendix 1. Supplier’s Representative.....	244
Appendix 2. Adjudicator.....	245
Appendix 3. List of Approved Subcontractors	246
Appendix 4. Categories of Software	247
Appendix 5. Custom Materials	248
Appendix 6. Revised Price Schedules	249
Appendix 7. Minutes of Contract Finalization Discussions and Agreed-to Contract Amendments	250
2. Performance and Advance Payment Security Forms.....	251
2.1 Performance Security Form (Bank Guarantee).....	252
2.2 Advance Payment Security	254
Bank Guarantee.....	254
3. Installation and Acceptance Certificates	256
3. Installation and Acceptance Certificates.....	256
3.1 Installation Certificate.....	257
3.2 Operational Acceptance Certificate	258
4. Change Order Procedures and Forms.....	259
4.1 Request for Change Proposal Form	260
4.2 Change Estimate Proposal Form.....	262
4.3 Estimate Acceptance Form	264
4.4 Change Proposal Form.....	266
4.5 Change Order Form	268
4.6 Application for Change Proposal Form	270

NOTIFICATION OF INTENTION TO AWARD

[This Notification of Intention to Award shall be sent to each Bidder that submitted a Bid.]

[Send this Notification to the Bidder's Authorized Representative named in the Bidder Information Form]

For the attention of Bidder's Authorized Representative

Name: *[insert Authorized Representative's name]*

Address: *[insert Authorized Representative's Address]*

Telephone/Fax numbers: *[insert Authorized Representative's telephone/fax numbers]*

Email Address: *[insert Authorized Representative's email address]*

[IMPORTANT: insert the date that this Notification is transmitted to all participating Bidders. The Notification must be sent to all Bidders simultaneously. This means on the same date and as close to the same time as possible.]

DATE OF TRANSMISSION: This Notification is sent by: *[email/fax]* on *[date]* (local time)

Notification of Intention to Award

[Purchaser]: *[insert the name of the Purchaser]*

Project: *[insert name of project]*

Contract title: *[insert the name of the contract]*

Country: *[insert country where RFB is issued]*

Loan No. /Credit No. / Grant No.: *[insert reference number for loan/credit/grant]*

RFB No: *[insert RFB reference number from Procurement Plan]*

This Notification of Intention to Award (Notification) notifies you of our decision to award the above contract. The transmission of this Notification begins the Standstill Period. During the Standstill Period you may:

- a) request a debriefing in relation to the evaluation of your Bid, and/or
- b) submit a Procurement-related Complaint in relation to the decision to award the contract.

1. The successful Bidder

Name:	[insert name of successful Bidder]
Address:	[insert address of the successful Bidder]
Contract price:	[insert contract price of the successful Bidder]
Total combined score:	[insert the total combined score of the successful Bidder]

2. Other Bidders [INSTRUCTIONS: insert names of all Bidders that submitted a Bid. If the Bid's price was evaluated include the evaluated price as well as the Bid price as read out.]

Name of Bidder	Technical Score (If applicable)	Bid price	Evaluated Bid Cost	Combined Score (if applicable)
[insert name]	[insert Technical score]	[insert Bid price]	[insert evaluated cost]	[insert combined score]
[insert name]	[insert Technical score]	[insert Bid price]	[insert evaluated cost]	[insert combined score]
[insert name]	[insert Technical score]	[insert Bid price]	[insert evaluated cost]	[insert combined score]
[insert name]	[insert Technical score]	[insert Bid price]	[insert evaluated cost]	[insert combined score]
[insert name]	[insert Technical score]	[insert Bid price]	[insert evaluated cost]	[insert combined score]

3. Reason/s why your Bid was unsuccessful [Delete if the combined score already reveals the reason]

[INSTRUCTIONS; State the reason/s why this Bidder's Bid was unsuccessful. Do NOT include: (a) a point by point comparison with another Bidder's Bid or (b) information that is marked confidential by the Bidder in its Bid.]

4. How to request a debriefing

DEADLINE: The deadline to request a debriefing expires at midnight on [insert date] (local time).

You may request a debriefing in relation to the results of the evaluation of your Bid. If you decide to request a debriefing your written request must be made within three (3) Business Days of receipt of this Notification of Intention to Award.

Provide the contract name, reference number, name of the Bidder, contact details; and address the request for debriefing as follows:

Attention: [insert full name of person, if applicable]

Title/position: *[insert title/position]*

Agency: *[insert name of Purchaser]*

Email address: *[insert email address]*

Fax number: *[insert fax number] delete if not used*

If your request for a debriefing is received within the 3 Business Days deadline, we will provide the debriefing within five (5) Business Days of receipt of your request. If we are unable to provide the debriefing within this period, the Standstill Period shall be extended by five (5) Business Days after the date that the debriefing is provided. If this happens, we will notify you and confirm the date that the extended Standstill Period will end.

The debriefing may be in writing, by phone, video conference call or in person. We shall promptly advise you in writing how the debriefing will take place and confirm the date and time.

If the deadline to request a debriefing has expired, you may still request a debriefing. In this case, we will provide the debriefing as soon as practicable, and normally no later than fifteen (15) Business Days from the date of publication of the Contract Award Notice.

5. How to make a complaint

DEADLINE: The deadline for submitting a Procurement-related Complaint challenging the decision to award the contract expires on midnight, *[insert date]* (local time).

Provide the contract name, reference number, name of the Bidder, contact details; and address the Procurement-related Complaint as follows:

Attention: *[insert full name of person, if applicable]*

Title/position: *[insert title/position]*

Agency: *[insert name of Purchaser]*

Email address: *[insert email address]*

Fax number: *[insert fax number] delete if not used*

At this point in the procurement process, you may submit a Procurement-related Complaint challenging the decision to award the contract. You do not need to have requested, or received, a debriefing before making this complaint. Your complaint must be submitted within the Standstill Period and received by us before the Standstill Period ends.

Further information:

For more information see the “[Procurement Regulations for IPF Borrowers \(Procurement Regulations\)](#) (Annex III).” You should read these provisions before preparing and submitting your complaint. In addition, the World Bank’s Guidance “[How to make a Procurement-related Complaint](#)” provides a useful explanation of the

process, as well as a sample letter of complaint.

In summary, there are four essential requirements:

1. You must be an ‘interested party’. In this case, that means a Bidder who submitted a Bid in this procurement, and is the recipient of a Notification of Intention to Award.
2. The complaint can only challenge the decision to award the contract.
3. You must submit the complaint within the deadline stated above.
4. You must include, in your complaint, all of the information required by the Procurement Regulations (as described in Annex III).

6. Standstill Period

DEADLINE: The Standstill Period is due to end at midnight on [insert date] (local time).

The Standstill Period lasts ten (10) Business Days after the date of transmission of this Notification of Intention to Award.

The Standstill Period may be extended. This may happen where we are unable to provide a debriefing within the five (5) Business Day deadline. If this happens we will notify you of the extension.

If you have any questions regarding this Notification please do not hesitate to contact us.

On behalf of the Purchaser:

Signature: _____

Name: _____

Title/position: _____

Telephone: _____

Email: _____

BENEFICIAL OWNERSHIP DISCLOSURE FORM

INSTRUCTIONS TO BIDDERS: DELETE THIS BOX ONCE YOU HAVE COMPLETED THE FORM

This Beneficial Ownership Disclosure Form (“Form”) is to be completed by the successful Bidder¹. In case of joint venture, the Bidder must submit a separate Form for each member. The beneficial ownership information to be submitted in this Form shall be current as of the date of its submission.

For the purposes of this Form, a Beneficial Owner of a Bidder is any natural person who ultimately owns or controls the Bidder by meeting one or more of the following conditions:

- *directly or indirectly holding 25% or more of the shares*
- *directly or indirectly holding 25% or more of the voting rights*
- *directly or indirectly having the right to appoint a majority of the board of directors or equivalent governing body of the Bidder*

RFB No.: *[insert number of RFB process]*
Request for Bid No.: *[insert identification]*

To: *[insert complete name of Purchaser]*

In response to your request in the Letter of Acceptance dated *[insert date of letter of Acceptance]* to furnish additional information on beneficial ownership: *[select one option as applicable and delete the options that are not applicable]*

(i) we hereby provide the following beneficial ownership information.

Details of beneficial ownership

Identity of Beneficial Owner	Directly or indirectly holding 25% or more of the shares (Yes / No)	Directly or indirectly holding 25 % or more of the Voting Rights (Yes / No)	Directly or indirectly having the right to appoint a majority of the board of the directors or an equivalent governing body of the Bidder (Yes / No)

<i>[include full name (last, middle, first), nationality, country of residence]</i>			
---	--	--	--

OR

(ii) *We declare that there is no Beneficial Owner meeting one or more of the following conditions:*

- directly or indirectly holding 25% or more of the shares
- directly or indirectly holding 25% or more of the voting rights
- directly or indirectly having the right to appoint a majority of the board of directors or equivalent governing body of the Bidder

OR

(iii) *We declare that we are unable to identify any Beneficial Owner meeting one or more of the following conditions. [If this option is selected, the Bidder shall provide explanation on why it is unable to identify any Beneficial Owner]*

- directly or indirectly holding 25% or more of the shares
- directly or indirectly holding 25% or more of the voting rights
- directly or indirectly having the right to appoint a majority of the board of directors or equivalent governing body of the Bidder”

Name of the Bidder: **[insert complete name of the Bidder]*_____

Name of the person duly authorized to sign the Bid on behalf of the Bidder: ***[insert complete name of person duly authorized to sign the Bid]*_____

Title of the person signing the Bid: *[insert complete title of the person signing the Bid]*_____

Signature of the person named above: *[insert signature of person whose name and capacity are shown above]*_____

Date signed *[insert date of signing]* **day of** *[insert month], [insert year]*_____

* In the case of the Bid submitted by a Joint Venture specify the name of the Joint Venture as Bidder. In the event that the Bidder is a joint venture, each reference to “Bidder” in the Beneficial Ownership Disclosure Form (including this Introduction thereto) shall be read to refer to the joint venture member.

** Person signing the Bid shall have the power of attorney given by the Bidder. The power of attorney shall be attached with the Bid Schedules.

LETTER OF ACCEPTANCE

To: _____

This is to notify you that your Bid dated _____ for execution of the _____ for the Contract Price in the aggregate of _____, as corrected and modified in accordance with the Instructions to Bidders is hereby accepted by our Agency.

You are requested to furnish (i) the Performance Security within 28 days in accordance with the Conditions of Contract, using for that purpose one of the Performance Security Forms and (ii) the additional information on beneficial ownership in accordance with BDS ITB 47.1 within eight (8) Business days using the Beneficial Ownership Disclosure Form, included in Section X, - Contract Forms, of the Bidding Document.

Authorized Signature: _____

Name and Title of Signatory: _____

Name of Agency: _____

Attachment: Contract Agreement

1. CONTRACT AGREEMENT

THIS CONTRACT AGREEMENT is made

the [*insert: ordinal*] day of [*insert: month*], [*insert: year*].

BETWEEN

- (1) [*insert: Name of Purchaser*], a [*insert: description of type of legal entity, for example, an agency of the Ministry of . . .*] of the Government of [*insert: country of Purchaser*], or corporation incorporated under the laws of [*insert: country of Purchaser*] and having its principal place of business at [*insert: address of Purchaser*] (hereinafter called “the Purchaser”), and
- (2) [*insert: name of Supplier*], a corporation incorporated under the laws of [*insert: country of Supplier*] and having its principal place of business at [*insert: address of Supplier*] (hereinafter called “the Supplier”).

WHEREAS the Purchaser desires to engage the Supplier to supply, install, achieve Operational Acceptance of, and support the following Information System [*insert: brief description of the Information System*] (“the System”), and the Supplier has agreed to such engagement upon and subject to the terms and conditions appearing below in this Contract Agreement.

NOW IT IS HEREBY AGREED as follows:

Article 1. 1.1 Contract Documents (Reference GCC Clause 1.1 (a) (ii))

Contract Documents

The following documents shall constitute the Contract between the Purchaser and the Supplier, and each shall be read and construed as an integral part of the Contract:

- (a) This Contract Agreement and the Appendices attached to the Contract Agreement
- (b) Special Conditions of Contract
- (c) General Conditions of Contract
- (d) Technical Requirements (including Implementation Schedule)
- (e) The Supplier’s bid and original Price Schedules
- (f) [*Add here: any other documents*]

1.2 Order of Precedence (Reference GCC Clause 2)

In the event of any ambiguity or conflict between the Contract Documents listed above, the order of precedence shall be the order in which the Contract Documents are listed in Article 1.1 (Contract Documents) above, provided that Appendix 7 shall prevail over all provisions of the Contract Agreement and the other Appendices attached to the Contract Agreement and all the other Contract Documents listed in Article 1.1 above.

1.3 Definitions (Reference GCC Clause 1)

Capitalized words and phrases used in this Contract Agreement shall have the same meanings as are ascribed to them in the General Conditions of Contract.

Article 2.

Contract Price and
Terms of Payment

2.1 Contract Price (Reference GCC Clause 1.1(a)(viii) and GCC Clause 11)

The Purchaser hereby agrees to pay to the Supplier the Contract Price in consideration of the performance by the Supplier of its obligations under the Contract. The Contract Price shall be the aggregate of: *[insert: amount of foreign currency A in words]*, *[insert: amount in figures]*, plus *[insert: amount of foreign currency B in words]*, *[insert: amount in figures]*, plus *[insert: amount of foreign currency C in words]*, *[insert: amount in figures]*, *[insert: amount of local currency in words]*, *[insert: amount in figures]*, as specified in the Grand Summary Price Schedule.

The Contract Price shall be understood to reflect the terms and conditions used in the specification of prices in the detailed price schedules, including the terms and conditions of the associated Incoterms, and the taxes, duties and related levies if and as identified.

Article 3.

Effective Date for
Determining Time
for Operational
Acceptance

3.1 Effective Date (Reference GCC Clause 1.1 (e) (ix))

The time allowed for supply, installation, and achieving Operational Acceptance of the System shall be determined from the date when all of the following conditions have been fulfilled:

- (a) This Contract Agreement has been duly executed for and on behalf of the Purchaser and the Supplier;
- (b) The Supplier has submitted to the Purchaser the performance security and the advance payment security, in accordance with GCC Clause 13.2 and GCC Clause 13.3;
- (c) The Purchaser has paid the Supplier the advance payment, in accordance with GCC Clause 12;

Each party shall use its best efforts to fulfill the above conditions

for which it is responsible as soon as practicable.

3.2 If the conditions listed under 3.1 are not fulfilled within two (2) months from the date of this Contract Agreement because of reasons not attributable to the Supplier, the parties shall discuss and agree on an equitable adjustment to the Contract Price and the Time for Achieving Operational Acceptance and/or other relevant conditions of the Contract.

Article 4. 4.1 The Appendixes listed below shall be deemed to form an integral part of this Contract Agreement.

Appendixes

4.2 Reference in the Contract to any Appendix shall mean the Appendixes listed below and attached to this Contract Agreement, and the Contract shall be read and construed accordingly.

APPENDIXES

- Appendix 1. Supplier's Representative
- Appendix 2. Adjudicator [*if there is no Adjudicator, state "not applicable"*]
- Appendix 3. List of Approved Subcontractors
- Appendix 4. Categories of Software
- Appendix 5. Custom Materials
- Appendix 6. Revised Price Schedules (if any)
- Appendix 7. Minutes of Contract Finalization Discussions and Agreed-to Contract Amendments

IN WITNESS WHEREOF the Purchaser and the Supplier have caused this Agreement to be duly executed by their duly authorized representatives the day and year first above written.

For and on behalf of the Purchaser

Signed:

in the capacity of [*insert: title or other appropriate designation*]

in the presence of

For and on behalf of the Supplier

Signed:

in the capacity of *[insert: title or other appropriate designation]*

in the presence of

CONTRACT AGREEMENT

dated the *[insert: number]* day of *[insert: month], [insert: year]*

BETWEEN

[insert: name of Purchaser], “the Purchaser”

and

[insert: name of Supplier], “the Supplier”

UNOFFICIAL COPY

Appendix 1. Supplier's Representative

In accordance with GCC Clause 1.1 (b) (iv), the Supplier's Representative is:

Name: *[insert: name and provide title and address further below, or state "to be nominated within fourteen (14) days of the Effective Date"]*

Title: *[if appropriate, insert: title]*

In accordance with GCC Clause 4.3, the Supplier's addresses for notices under the Contract are:

Address of the Supplier's Representative: *[as appropriate, insert: personal delivery, postal, cable, facsimile, electronic mail, and/or EDI addresses.]*

Fallback address of the Supplier: *[as appropriate, insert: personal delivery, postal, cable, facsimile, electronic mail, and/or EDI addresses.]*

Appendix 2. Adjudicator

In accordance with GCC Clause 1.1 (b) (vi), the agreed-upon Adjudicator is:

Name: *[insert: name]*

Title: *[insert: title]*

Address: *[insert: postal address]*

Telephone: *[insert: telephone]*

In accordance with GCC Clause 43.1.3, the agreed-upon fees and reimbursable expenses are:

Hourly Fees: *[insert: hourly fees]*

Reimbursable Expenses: *[list: reimbursables]*

Pursuant to GCC Clause 43.1.4, if at the time of Contract signing, agreement has not been reached between the Purchaser and the Supplier, an Adjudicator will be appointed by the Appointing Authority named in the SCC.

Appendix 3. List of Approved Subcontractors

The Purchaser has approved use of the following Subcontractors nominated by the Supplier for carrying out the item or component of the System indicated. Where more than one Subcontractor is listed, the Supplier is free to choose between them, but it must notify the Purchaser of its choice sufficiently in advance of the time when the subcontracted work needs to commence to give the Purchaser reasonable time for review. In accordance with GCC Clause 20.1, the Supplier is free to submit proposals for Subcontractors for additional items from time to time. No subcontracts shall be placed with any such Subcontractors for additional items until the Subcontractors have been approved in writing by the Purchaser and their names have been added to this list of Approved Subcontractors, subject to GCC Clause 20.3.

[specify: item, approved Subcontractors, and their place of registration that the Supplier proposed in the corresponding attachment to its bid and that the Purchaser approves that the Supplier engage during the performance of the Contract. Add additional pages as necessary.]

Item	Approved Subcontractors	Place of Registration

Appendix 4. Categories of Software

The following table assigns each item of Software supplied and installed under the Contract to one of the three categories: (i) System Software, (ii) General-Purpose Software, or (iii) Application Software; and to one of the two categories: (i) Standard Software or (ii) Custom Software.

Software Item	(select one per item)			(select one per item)	
	System Software	General-Purpose Software	Application Software	Standard Software	Custom Software

Appendix 6. Revised Price Schedules

The attached Revised Price Schedules (if any) shall form part of this Contract Agreement and, where differences exist, shall supersede the Price Schedules contained in the Supplier's Bid. These Revised Price Schedules reflect any corrections or adjustments to the Supplier's bid price, pursuant to the ITB Clauses 30.3 and 38.2.

UNOFFICIAL COPY

Appendix 7. Minutes of Contract Finalization Discussions and Agreed-to Contract Amendments

The attached Contract amendments (if any) shall form part of this Contract Agreement and, where differences exist, shall supersede the relevant clauses in the GCC, SCC, Technical Requirements, or other parts of this Contract as defined in GCC Clause 1.1 (a) (ii).

UNOFFICIAL COPY

2. PERFORMANCE AND ADVANCE PAYMENT SECURITY FORMS

UNOFFICIAL COPY

2.1 Performance Security Form (Bank Guarantee) (Bank Guarantee)

[The bank, as requested by the successful Bidder, shall fill in this form in accordance with the instructions indicated]

[Guarantor letterhead or SWIFT identifier code]

*[insert: **Bank's Name, and Address of Issuing Branch or Office**]*

Beneficiary: *[insert: **Name and Address of Purchaser**]*

Date: *[insert: **date**]*

PERFORMANCE GUARANTEE No.: *[insert: **Performance Guarantee Number**]*

Guarantor: *[Insert name and address of place of issue, unless indicated in the letterhead]*

We have been informed that on *[insert: **date of award**]* you awarded Contract No. *[insert: **Contract number**]* for *[insert: **title and/or brief description of the Contract**]* (hereinafter called "the Contract") to *[insert: **complete name of Supplier which in the case of a joint venture shall be in the name of the joint venture**]* (hereinafter called "the Applicant"). Furthermore, we understand that, according to the conditions of the Contract, a performance guarantee is required.

At the request of the Applicant, we as Guarantor hereby irrevocably undertake to pay you any sum(s) not exceeding *[insert: **amount(s)¹ in figures and words**]* such sum being payable in the types and proportions of currencies which the Contract Price is payable upon receipt by us of the Beneficiary's statement, whether in the demand itself or in a separate signed document accompanying or identifying the demand, stating that the Applicant is in breach of its obligation(s) under the contract without the Beneficiary needing to prove or to show grounds or reasons for their demand or the sum specified therein.

On the date of your issuing, to the Supplier, the Operational Acceptance Certificate for the System, the value of this guarantee will be reduced to any sum(s) not exceeding *[insert: **amount(s)¹ in figures and words**]*. This remaining guarantee shall expire no later than *[insert: **number and select: of months/of years (of the Warranty Period that needs to be covered by the***

¹ *The bank shall insert the amount(s) specified and denominated in the SCC for GCC Clauses 13.3.1 and 13.3.4 respectively, either in the currency(ies) of the Contract or a freely convertible currency acceptable to the Purchaser.*

remaining guarantee)] from the date of the Operational Acceptance Certificate for the System,¹ and any demand for payment under it must be received by us at this office on or before that date.

This guarantee is subject to the Uniform Rules for Demand Guarantees, (URDG) 2010 Revision, ICC Publication No. 758, except that the supporting statement under 15 (a) is hereby excluded.

[Signature(s)]

Note: All italicized text (including footnotes) is for use in preparing this form and shall be deleted from the final product.

¹ *In this sample form, the formulation of this paragraph reflects the usual SCC provisions for GCC Clause 13.3. However, if the SCC for GCC Clauses 13.3.1 and 13.3.4 varies from the usual provisions, the paragraph, and possibly the previous paragraph, need to be adjusted to precisely reflect the provisions specified in the SCC.*

2.2 Advance Payment Security

Bank Guarantee

[Guarantor letterhead or SWIFT identifier code]

Beneficiary: *[insert: Name and Address of Purchaser]*

Date: *[insert date of issue]*

ADVANCE PAYMENT GUARANTEE No.: *[insert: Advance Payment Guarantee Number]*

Guarantor: *[Insert name and address of place of issue, unless indicated in the letterhead]*

We have been informed that on *[insert: date of award]* you awarded Contract No. *[insert: Contract number]* for *[insert: title and/or brief description of the Contract]* (hereinafter called "the Contract") to *[insert: complete name of Supplier, which in the case of a joint venture shall be the name of the joint venture]* (hereinafter called "the Applicant").

Furthermore, we understand that, according to the conditions of the Contract, an advance payment in the sum of *[insert: amount in numbers and words, for each currency of the advance payment]* is to be made to the Supplier against an advance payment guarantee.

At the request of the Applicant, we as Guarantor, hereby irrevocably undertake to pay the Beneficiary any sum or sums not exceeding in total an amount of *[insert amount in figures]* (_____) *[insert amount in words]*¹ upon receipt by us of the Beneficiary's complying demand supported by the Beneficiary's statement, whether in the demand itself or in a separate signed document accompanying or identifying the demand, stating either that the Applicant:

- (a) has used the advance payment for purposes other than toward delivery of Goods; or
- (b) has failed to repay the advance payment in accordance with the Contract conditions, specifying the amount which the Applicant has failed to repay.

¹ *The Guarantor shall insert an amount representing the amount of the advance payment and denominated either in the currency(ies) of the advance payment as specified in the Contract, or in a freely convertible currency acceptable to the Purchaser.*

A demand under this guarantee may be presented as from the presentation to the Guarantor of a certificate from the Beneficiary's bank stating that the advance payment referred to above has been credited to the Applicant on its account number *[insert number]* at *[insert name and address of Applicant's bank]*.

The maximum amount of this guarantee shall be progressively reduced by the amount of the advance payment repaid by the Applicant as specified in copies of interim statements or payment certificates which shall be presented to us. This guarantee shall expire, at the latest, upon our receipt of a copy of the interim payment certificate indicating that ninety (90) percent of the Accepted Contract Amount, has been certified for payment, or on the *[insert day]* day of *[insert month]*, 2 *[insert year]*, whichever is earlier. Consequently, any demand for payment under this guarantee must be received by us at this office on or before that date.

This guarantee is subject to the Uniform Rules for Demand Guarantees (URDG) 2010 Revision, ICC Publication No.758, except that the supporting statement under Article 15(a) is hereby excluded.

[signature(s)]

Note: All italicized text (including footnotes) is for use in preparing this form and shall be deleted from the final product.

3. INSTALLATION AND ACCEPTANCE CERTIFICATES

3. Installation and Acceptance Certificates

UNOFFICIAL COPY

3.1 Installation Certificate

Date: *[insert: date]*

Loan/Credit Number: *[insert: loan or credit number from RFB]*

RFB: *[insert: title and number of RFB]*

Contract: *[insert: name and number of Contract]*

To: *[insert: name and address of Supplier]*

Dear Sir or Madam:

Pursuant to GCC Clause 26 (Installation of the System) of the Contract entered into between yourselves and the *[insert: name of Purchaser]* (hereinafter the “Purchaser”) dated *[insert: date of Contract]*, relating to the *[insert: brief description of the Information System]*, we hereby notify you that the System (or a Subsystem or major component thereof) was deemed to have been correctly installed on the date specified below.

1. Description of the System (or relevant Subsystem or major component: *[insert: description]*)
2. Date of Installation: *[insert: date]*

Notwithstanding the above, you are required to complete the outstanding items listed in the attachment to this certificate as soon as practicable. This letter shall not relieve you of your obligation to achieve Operational Acceptance of the System in accordance with the Contract nor of your obligations during the Warranty Period.

For and on behalf of the Purchaser

Signed:

Date:

in the capacity of: *[state: “Project Manager” or state the title of a higher level authority in the Purchaser’s organization]*

3.2 Operational Acceptance Certificate

Date: *[insert: date]*

Loan/Credit Number: *[insert: loan or credit number from RFB]*

RFB: *[insert: title and number of RFB]*

Contract: *[insert: name of System or Subsystem and number of Contract]*

To: *[insert: name and address of Supplier]*

Dear Sir or Madam:

Pursuant to GCC Clause 27 (Commissioning and Operational Acceptance) of the Contract entered into between yourselves and the *[insert: name of Purchaser]* (hereinafter the “Purchaser”) dated *[insert: date of Contract]*, relating to the *[insert: brief description of the Information System]*, we hereby notify you the System (or the Subsystem or major component identified below) successfully completed the Operational Acceptance Tests specified in the Contract. In accordance with the terms of the Contract, the Purchaser hereby takes over the System (or the Subsystem or major component identified below), together with the responsibility for care and custody and the risk of loss thereof on the date mentioned below.

1. Description of the System (or Subsystem or major component): *[insert: description]*
2. Date of Operational Acceptance: *[insert: date]*

This letter shall not relieve you of your remaining performance obligations under the Contract nor of your obligations during the Warranty Period.

For and on behalf of the Purchaser

Signed:

Date:

in the capacity of: *[state: “Project Manager” or higher level authority in the Purchaser’s organization]*

4. CHANGE ORDER PROCEDURES AND FORMS

Date: *[insert: date]*

Loan/Credit Number: *[insert: loan or credit number from RFB]*

RFB: *[insert: title and number of RFB]*

Contract: *[insert: name or System or Subsystem and number of Contract]*

General

This section provides samples of procedures and forms for carrying out changes to the System during the performance of the Contract in accordance with GCC Clause 39 (Changes to the System) of the Contract.

Change Order Log

The Supplier shall keep an up-to-date Change Order Log to show the current status of Requests for Change and Change Orders authorized or pending. Changes shall be entered regularly in the Change Order Log to ensure that the log is kept up-to-date. The Supplier shall attach a copy of the current Change Order Log in the monthly progress report to be submitted to the Purchaser.

References to Changes

- (1) Request for Change Proposals (including Application for Change Proposals) shall be serially numbered CR-nnn.
- (2) Change Estimate Proposals shall be numbered CN-nnn.
- (3) Estimate Acceptances shall be numbered CA-nnn.
- (4) Change Proposals shall be numbered CP-nnn.
- (5) Change Orders shall be numbered CO-nnn.

On all forms, the numbering shall be determined by the original CR-nnn.

Annexes

- 4.1 Request for Change Proposal Form
- 4.2 Change Estimate Proposal Form
- 4.3 Estimate Acceptance Form
- 4.4 Change Proposal Form
- 4.5 Change Order Form
- 4.6 Application for Change Proposal Form

4.1 Request for Change Proposal Form

(Purchaser's Letterhead)

Date: *[insert: date]*

Loan/Credit Number: *[insert: loan or credit number from RFB]*

RFB: *[insert: title and number of RFB]*

Contract: *[insert: name of System or Subsystem or number of Contract]*

To: *[insert: name of Supplier and address]*

Attention: *[insert: name and title]*

Dear Sir or Madam:

With reference to the above-referenced Contract, you are requested to prepare and submit a Change Proposal for the Change noted below in accordance with the following instructions within *[insert: number]* days of the date of this letter.

1. Title of Change: *[insert: title]*
2. Request for Change No./Rev.: *[insert: number]*
3. Originator of Change: *[select Purchaser / Supplier (by Application for Change Proposal), and add: name of originator]*
4. Brief Description of Change: *[insert: description]*
5. System (or Subsystem or major component affected by requested Change): *[insert: description]*
6. Technical documents and/or drawings for the request of Change:

Document or Drawing No.

Description

7. Detailed conditions or special requirements of the requested Change: *[insert: description]*

8. Procedures to be followed:
 - (a) Your Change Proposal will have to show what effect the requested Change will have on the Contract Price.
 - (b) Your Change Proposal shall explain the time it will take to complete the requested Change and the impact, if any, it will have on the date when Operational Acceptance of the entire System agreed in the Contract.
 - (c) If you believe implementation of the requested Change will have a negative impact on the quality, operability, or integrity of the System, please provide a detailed explanation, including other approaches that might achieve the same impact as the requested Change.
 - (d) You should also indicate what impact the Change will have on the number and mix of staff needed by the Supplier to perform the Contract.
 - (e) You shall not proceed with the execution of work related to the requested Change until we have accepted and confirmed the impact it will have on the Contract Price and the Implementation Schedule in writing.

9. As next step, please respond using the Change Estimate Proposal form, indicating how much it will cost you to prepare a concrete Change Proposal that will describe the proposed approach for implementing the Change, all its elements, and will also address the points in paragraph 8 above pursuant to GCC Clause 39.2.1. Your Change Estimate Proposal should contain a first approximation of the proposed approach, and implications for schedule and cost, of the Change.

For and on behalf of the Purchaser

Signed:

Date:

in the capacity of: *[state: "Project Manager" or higher level authority in the Purchaser's organization]*

4.2 Change Estimate Proposal Form

(Supplier's Letterhead)

Date: *[insert: date]*

Loan/Credit Number: *[insert: loan or credit number from RFB]*

RFB: *[insert: title and number of RFB]*

Contract: *[insert: name of System or Subsystem and number of Contract]*

To: *[insert: name of Purchaser and address]*

Attention: *[insert: name and title]*

Dear Sir or Madam:

With reference to your Request for Change Proposal, we are pleased to notify you of the approximate cost of preparing the below-referenced Change in accordance with GCC Clause 39.2.1 of the Contract. We acknowledge that your agreement to the cost of preparing the Change Proposal, in accordance with GCC Clause 39.2.2, is required before we proceed to prepare the actual Change Proposal including a detailed estimate of the cost of implementing the Change itself.

1. Title of Change: *[insert: title]*
2. Request for Change No./Rev.: *[insert: number]*
3. Brief Description of Change (including proposed implementation approach): *[insert: description]*
4. Schedule Impact of Change (initial estimate): *[insert: description]*
5. Initial Cost Estimate for Implementing the Change: *[insert: initial cost estimate]*
6. Cost for Preparation of Change Proposal: *[insert: cost in the currencies of the Contract]*, as detailed below in the breakdown of prices, rates, and quantities.

For and on behalf of the Supplier

Signed:

Date:

in the capacity of: [state: *“Supplier’s Representative” or other higher level authority in the Supplier’s organization*]

UNOFFICIAL COPY

4.3 Estimate Acceptance Form

(Purchaser's Letterhead)

Date: *[insert: date]*

Loan/Credit Number: *[insert: loan or credit number from RFB]*

RFB: *[insert: title and number of RFB]*

Contract: *[insert: name of System or Subsystem and number of Contract]*

To: *[insert: name of Supplier and address]*

Attention: *[insert: name and title]*

Dear Sir or Madam:

We hereby accept your Change Estimate and agree that you should proceed with the preparation of a formal Change Proposal.

1. Title of Change: *[insert: title]*
2. Request for Change No./Rev.: *[insert: request number / revision]*
3. Change Estimate Proposal No./Rev.: *[insert: proposal number / revision]*
4. Estimate Acceptance No./Rev.: *[insert: estimate number / revision]*
5. Brief Description of Change: *[insert: description]*
6. Other Terms and Conditions:

In the event that we decide not to order the Change referenced above, you shall be entitled to compensation for the cost of preparing the Change Proposal up to the amount estimated for this purpose in the Change Estimate Proposal, in accordance with GCC Clause 39 of the General Conditions of Contract.

For and on behalf of the Purchaser

Signed:

Date:

in the capacity of: [state: *“Project Manager” or higher level authority in the Purchaser’s organization*]

UNOFFICIAL COPY

4.4 Change Proposal Form

(Supplier's Letterhead)

Date: *[insert: date]*

Loan/Credit Number: *[insert: loan or credit number from RFB]*

RFB: *[insert: title and number of RFB]*

Contract: *[insert: name of System or Subsystem and number of Contract]*

To: *[insert: name of Purchaser and address]*

Attention: *[insert: name and title]*

Dear Sir or Madam:

In response to your Request for Change Proposal No. *[insert: number]*, we hereby submit our proposal as follows:

1. Title of Change: *[insert: name]*
2. Change Proposal No./Rev.: *[insert: proposal number/revision]*
3. Originator of Change: *[select: Purchaser / Supplier; and add: name]*
4. Brief Description of Change: *[insert: description]*
5. Reasons for Change: *[insert: reason]*
6. The System Subsystem, major component, or equipment that will be affected by the requested Change: *[insert: description]*
7. Technical documents and/or drawings for the requested Change:
Document or Drawing No. Description

8. Estimate of the increase/decrease to the Contract Price resulting from the proposed Change: ***[insert: amount in currencies of Contract]***, as detailed below in the breakdown of prices, rates, and quantities.

Total lump sum cost of the Change:

Cost to prepare this Change Proposal (i.e., the amount payable if the Change is not accepted, limited as provided by GCC Clause 39.2.6):

9. Additional Time for Achieving Operational Acceptance required due to the Change: ***[insert: amount in days / weeks]***
10. Effect on the Functional Guarantees: ***[insert: description]***
11. Effect on the other terms and conditions of the Contract: ***[insert: description]***
12. Validity of this Proposal: for a period of ***[insert: number]*** days after receipt of this Proposal by the Purchaser
13. Procedures to be followed:
- (a) You are requested to notify us of your acceptance, comments, or rejection of this detailed Change Proposal within ***[insert: number]*** days from your receipt of this Proposal.
 - (b) The amount of any increase and/or decrease shall be taken into account in the adjustment of the Contract Price.

For and on behalf of the Supplier

Signed:

Date:

in the capacity of: ***[state: "Supplier's Representative" or other higher level authority in the Supplier's organization]***

4.5 Change Order Form

(Purchaser's Letterhead)

Date: *[insert: date]*

Loan/Credit Number: *[insert: loan or credit number from RFB]*

RFB: *[insert: title and number of RFB]*

Contract: *[insert: name of System or Subsystem and number of Contract]*

To: *[insert: name of Supplier and address]*

Attention: *[insert: name and title]*

Dear Sir or Madam:

We hereby approve the Change Order for the work specified in Change Proposal No. *[insert: number]*, and agree to adjust the Contract Price, Time for Completion, and/or other conditions of the Contract in accordance with GCC Clause 39 of the Contract.

1. Title of Change: *[insert: name]*
2. Request for Change No./Rev.: *[insert: request number / revision]*
3. Change Order No./Rev.: *[insert: order number / revision]*
4. Originator of Change: *[select: Purchaser / Supplier; and add: name]*
5. Authorized Price for the Change:

Ref. No.: *[insert: number]*

Date: *[insert: date]*

[insert: amount in foreign currency A] plus *[insert: amount in foreign currency B]*
plus *[insert: amount in foreign currency C]* plus *[insert: amount in local currency]*

6. Adjustment of Time for Achieving Operational Acceptance: *[insert: amount and description of adjustment]*

7. Other effects, if any: *[state: “none” or insert description]*

For and on behalf of the Purchaser

Signed:

Date:

in the capacity of: *[state: “Project Manager” or higher level authority in the Purchaser’s organization]*

For and on behalf of the Supplier

Signed:

Date:

in the capacity of: *[state “Supplier’s Representative” or higher level authority in the Supplier’s organization]*

4.6 Application for Change Proposal Form

(Supplier's Letterhead)

Date: *[insert: date]*

Loan/Credit Number: *[insert: loan or credit number from RFB]*

RFB: *[insert: title and number of RFB]*

Contract: *[insert: name of System or Subsystem and number of Contract]*

To: *[insert: name of Purchaser and address]*

Attention: *[insert: name and title]*

Dear Sir or Madam:

We hereby propose that the below-mentioned work be treated as a Change to the System.

1. Title of Change: *[insert: name]*
2. Application for Change Proposal No./Rev.: *[insert: number / revision]* dated: *[insert: date]*
3. Brief Description of Change: *[insert: description]*
4. Reasons for Change: *[insert: description]*
5. Order of Magnitude Estimation: *[insert: amount in currencies of the Contract]*
6. Schedule Impact of Change: *[insert: description]*
7. Effect on Functional Guarantees, if any: *[insert: description]*
8. Appendix: *[insert: titles (if any); otherwise state "none"]*

For and on behalf of the Supplier

Signed:

Date:

in the capacity of: *[state: “Supplier’s Representative” or higher level authority in the Supplier’s organization]*

UNOFFICIAL COPY